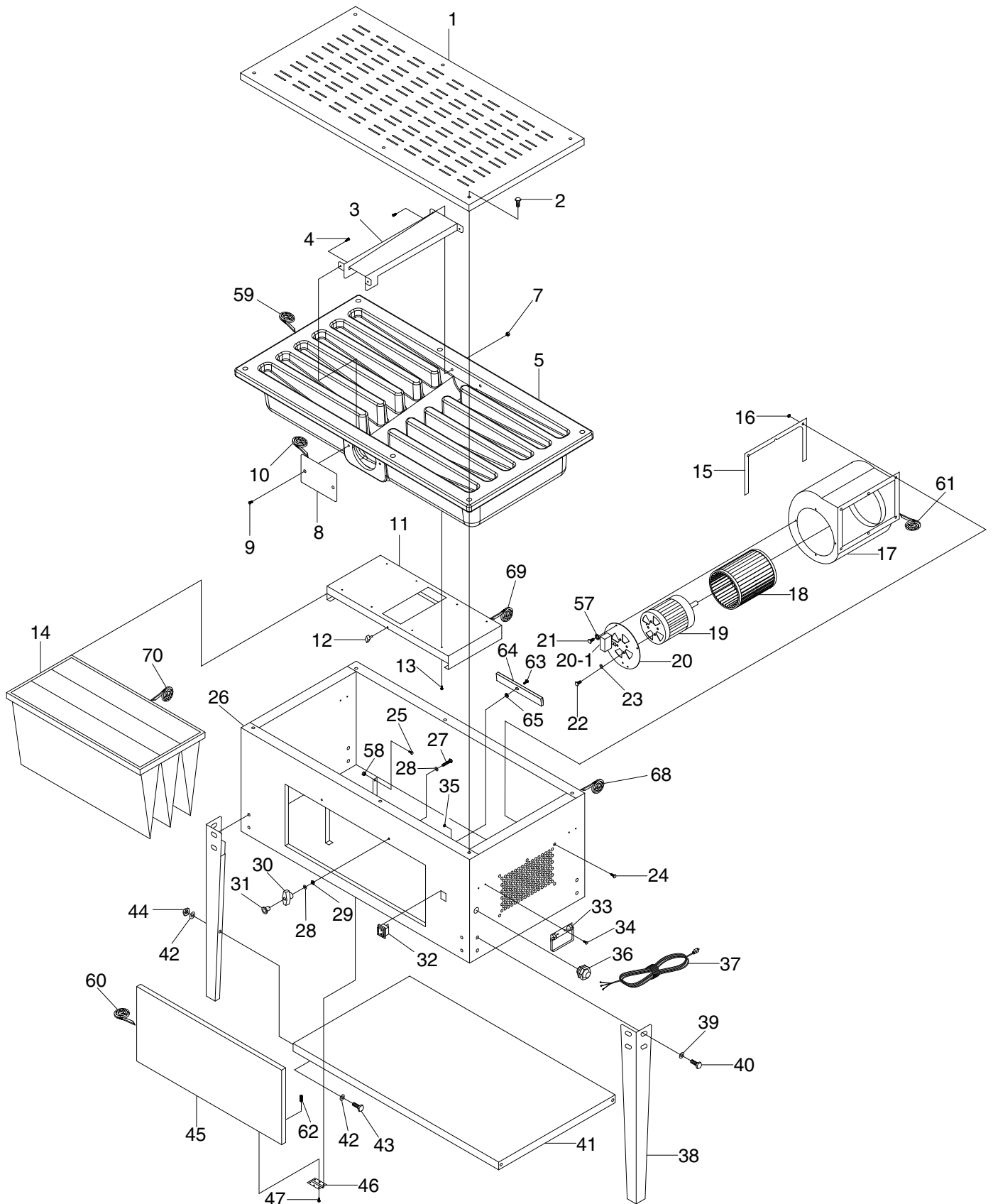


G0627 Parts Breakdown



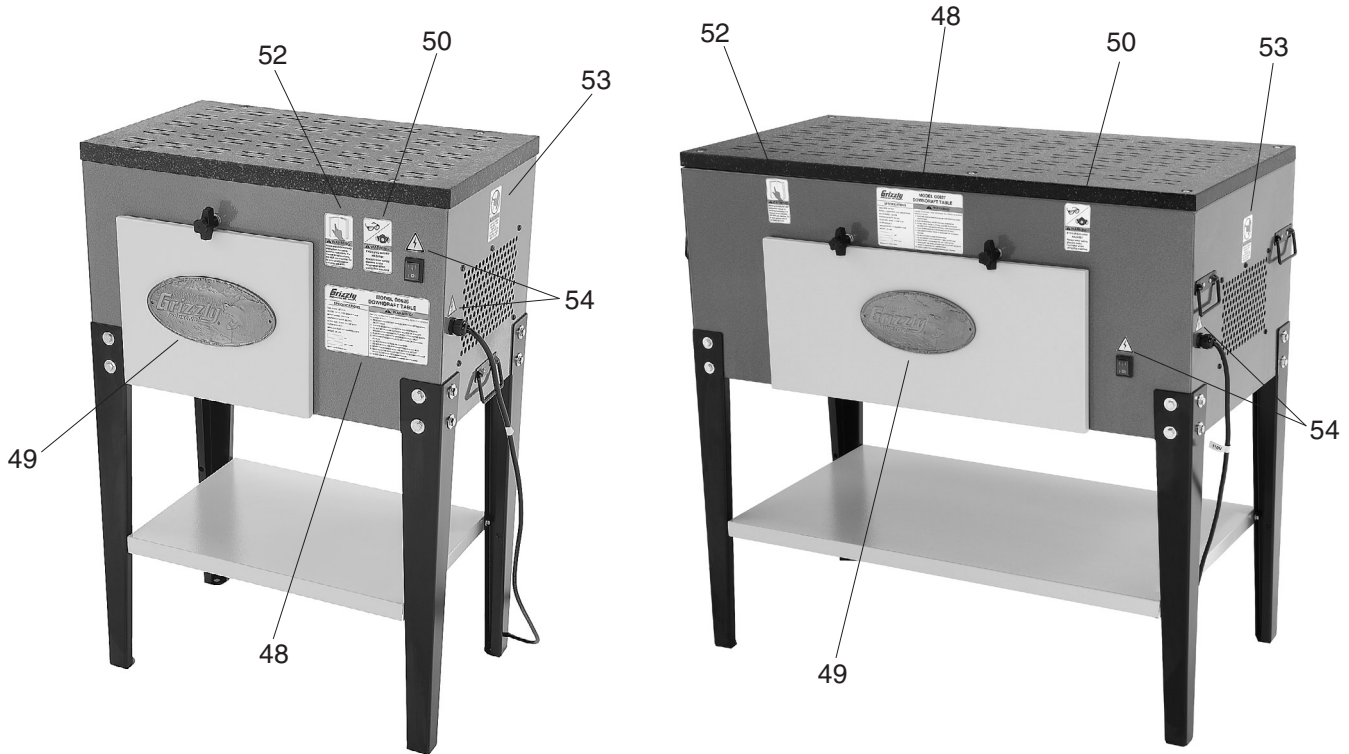
G0627 Parts List

REF	PART #	DESCRIPTION
1	P0627001	TABLE TOP
2	PFH15	FLAT HD SCR 1/4-20 X 1 1/2
3	P0627003	DUST DEFLECTOR
4	PHTEK5M	TAP SCREW M4 X 12
5	P0627005	TABLE BASE
7	PN05	HEX NUT 1/4-20
8	P0627008	OUTLET COVER
9	PB31	HEX BOLT 1/4-20 X 1
10	P0627010	GASKET
11	P0627011	DUST FILTER CASE
12	P0626012	KNOB M6-1 X 14
13	P0627013	TAP SCREW M5 X 12
14	P0627014	FILTER BAG
15	P0627015	BLOWER SUPPORT
16	PN05	HEX NUT 1/4-20
17	P0627017	BLOWER HOOD
18	P0627018	IMPELLER
19	P0627019	MOTOR
20	P0627020	MOTOR SUPPORT
20-1	P0626020-1	CAPACITOR 16MFD 250VAC
21	PS38M	PHLP HD SCR M4-.7 X 10
22	PS68M	PHLP HD SCR M6-1 X 10
23	PW06	FLAT WASHER 1/4
24	PS02	PHLP HD SCR 1/4-20 X 3/4
25	PS06M	PHLP HD SCR M5-.8 X 20
26	P0627026	TABLE CABINET
27	PS54M	PHLP HD SCR M5-.8 X 45
28	PN06M	HEX NUT M5-.8
29	P0627029	FLAT WASHER 3/16
30	P0626030	KNOB 5/16-18

REF	PART #	DESCRIPTION
31	P0626031	KNOB M5-.8
32	P0626032	SWITCH
33	P0626033	HANDLE
34	PS38M	PHLP HD SCR M4-.7 X 10
35	PN04M	HEX NUT M4-.7
36	P0626036	STRAIN RELIEF
37	P0626037	POWER CORD
38	P0627038	LEG
39	PW07	FLAT WASHER 5/16
40	PB07	HEX BOLT 5/16-18 X 3/4
41	P0627041	BASE SHELF
42	PW07	FLAT WASHER 5/16
43	PB07	HEX BOLT 5/16-18 X 3/4
44	PN02	HEX NUT 5/16-18
45	P0627045	CABINET DOOR
46	P0626046	DOOR HINGE
47	PS38M	PHLP HD SCR M4-.7 X 10
57	P0627057	INT TOOTH WASHER 5MM
58	PN06M	HEX NUT M5-.8
59	P0627059	GASKET
60	P0627060	GASKET
61	P0627061	GASKET
62	PN04M	HEX NUT M4-.7
63	P0627063	TAP SCREW M5 X 12
64	P0627064	GROUNDING BAR
65	P0627065	INT TOOTH WASHER 5MM
68	P0627068	GASKET
69	P0627069	GASKET
70	P0627070	GASKET



G0626/G0627 Safety Label Placement



REF	PART #	DESCRIPTION
48	P0626048	G0626 MACHINE ID LABEL
48	P0627048	G0627 MACHINE ID LABEL
49	G8588	GRIZZLY NAMEPLATE
50	PLABEL-43	RESPIRATOR/GLASSES LABEL
52	PLABEL-12A	READ MANUAL - VERTICAL

REF	PART #	DESCRIPTION
53	P0626053	NO HANDS IN OUTLET
54	PLABEL-14	ELECTRICITY LABEL
55	PPAINT-1	GRIZZLY GREEN TOUCH UP PAINT
56	PPAINT-11	GRIZZLY PUTTY TOUCH UP PAINT

WARNING

Safety labels warn about machine hazards and ways to prevent injury. The owner of this machine **MUST** maintain the original location and readability of the labels on the machine. If any label is removed or becomes unreadable, **REPLACE** that label before using the machine again. Contact Grizzly at (800) 523-4777 or www.grizzly.com to order new labels.

