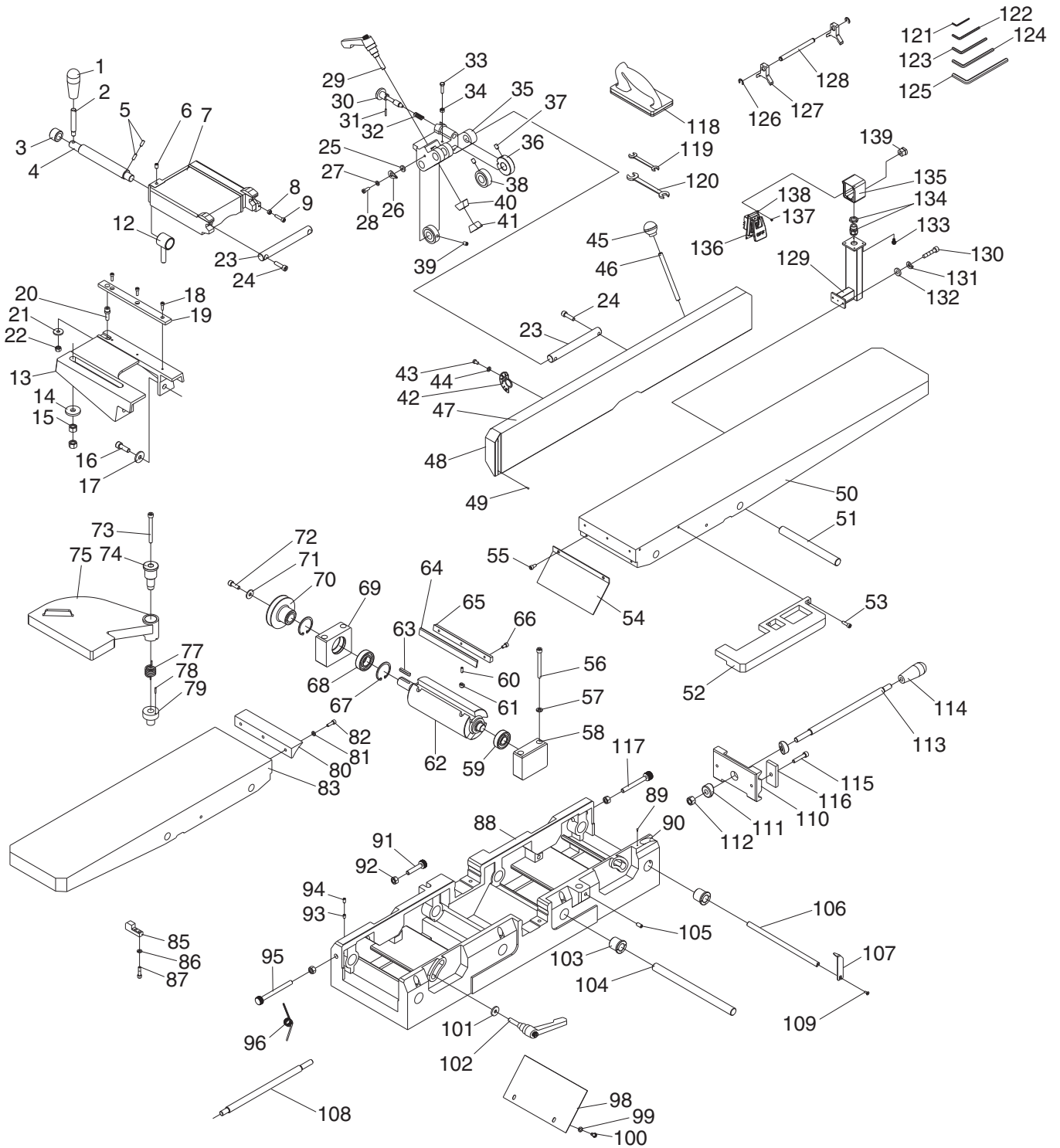


# Jointer Parts Breakdown



# Jointer Parts List

| REF | PART #   | DESCRIPTION                 |
|-----|----------|-----------------------------|
| 1   | P0604001 | HANDLE                      |
| 2   | P0604002 | STUD                        |
| 3   | P0604003 | BUSHING                     |
| 4   | P0604004 | SHAFT                       |
| 5   | PSS11M   | SET SCREW M6-1 X 16         |
| 6   | PSS16M   | SET SCREW M8-1.25 X 10      |
| 7   | P0604007 | CARRIAGE                    |
| 8   | PN01M    | HEX NUT M6-1                |
| 9   | PSB06M   | CAP SCREW M6-1 X 25         |
| 12  | P0604012 | COLLAR                      |
| 13  | P0604013 | SUPPORT                     |
| 14  | PW06M    | FLAT WASHER 12MM            |
| 15  | PN09M    | HEX NUT M12-1.75            |
| 16  | PSB72M   | CAP SCREW M10-1.5 X 30      |
| 17  | PW04M    | FLAT WASHER 10MM            |
| 18  | PSB24M   | CAP SCREW M5-.8 X 16        |
| 19  | P0604019 | GIB                         |
| 20  | P0604020 | ECCENTRIC                   |
| 21  | PW01M    | FLAT WASHER 8MM             |
| 22  | PN03M    | HEX NUT M8-1.25             |
| 23  | P0604023 | SHAFT                       |
| 24  | PSB13M   | CAP SCREW M8-1.25 X 30      |
| 25  | PW03M    | FLAT WASHER 6MM             |
| 26  | P0604026 | POINTER                     |
| 27  | PW03M    | FLAT WASHER 6MM             |
| 28  | PSB115M  | BUTTON HD CAP SCR M6-1 X 16 |
| 29  | P0604029 | ADJUSTABLE HANDLE           |
| 30  | P0604030 | INDEX PIN ASSY              |
| 31  | PRP42M   | ROLL PIN 3 X 20             |
| 32  | P0604032 | COMPRESSION SPRING          |
| 33  | PB10M    | HEX BOLT M6-1 X 25          |
| 34  | PN01M    | HEX NUT M6-1                |
| 35  | P0604035 | SWIVEL                      |
| 36  | P0604036 | COLLAR                      |
| 37  | PSS16M   | SET SCREW M8-1.25 X 10      |
| 38  | P0604038 | LOCK                        |
| 39  | PSS14M   | SET SCREW M8-1.25 X 12      |
| 40  | P0604040 | CLAMP                       |
| 41  | P0604041 | CLAMP                       |
| 42  | P0604042 | SCALE                       |

| REF | PART #   | DESCRIPTION             |
|-----|----------|-------------------------|
| 43  | PS68M    | PHLP HD SCR M6-1 X 10   |
| 44  | PW03M    | FLAT WASHER 6MM         |
| 45  | P0604045 | BALL HANDLE             |
| 46  | P0604046 | STUD                    |
| 47  | P0604047 | FENCE                   |
| 48  | P0604048 | SCALE                   |
| 49  | P0604049 | RIVET                   |
| 50  | P0604050 | TABLE RH                |
| 51  | P0604051 | TABLE SHAFT             |
| 52  | P0604052 | RABBETING TABLE EXT     |
| 53  | PSB02M   | CAP SCREW M6-1 X 20     |
| 54  | P0604054 | CHIP DEFLECTOR          |
| 55  | PSB33M   | CAP SCREW M5-.8 X 12    |
| 56  | PSB148M  | CAP SCREW M8-1.25 X 80  |
| 57  | PLW04M   | LOCK WASHER 8MM         |
| 58  | P0604058 | BEARING BLOCK LEFT      |
| 59  | P6004    | BALL BEARING 6004ZZ     |
| 60  | PSS34M   | SET SCREW M5-.8 X 16    |
| 61  | P0604061 | KNIFE LIFTER SPRING     |
| 62  | P0604062 | CUTTERHEAD              |
| 63  | PK74M    | KEY 6 X 6 X 35          |
| 64  | P0604064 | SET OF (3) KNIVES       |
| 65  | P0604065 | KNIFE GIB               |
| 66  | P0604066 | GIB BOLT                |
| 67  | PR24M    | INT RETAINING RING 42MM |
| 68  | P6004    | BALL BEARING 6004ZZ     |
| 69  | P0604069 | BEARING BLOCK RIGHT     |
| 70  | P0604070 | CUTTERHEAD PULLEY       |
| 71  | PW01M    | FLAT WASHER 8MM         |
| 72  | PSB31M   | CAP SCREW M8-1.25 X 25  |
| 73  | PSB148M  | CAP SCREW M8-1.25 X 80  |
| 74  | P0604074 | GUARD CLAMP             |
| 75  | P0604075 | CUTTERHEAD GUARD        |
| 77  | P0604077 | TORSION SPRING          |
| 78  | PRP02M   | ROLL PIN 3 X 16         |
| 79  | P0604079 | SUPPORT                 |
| 80  | P0604080 | TABLE LIP               |
| 81  | PW02M    | FLAT WASHER 5MM         |
| 82  | PSB24M   | CAP SCREW M5-.8 X 16    |
| 83  | P0604083 | TABLE LH                |



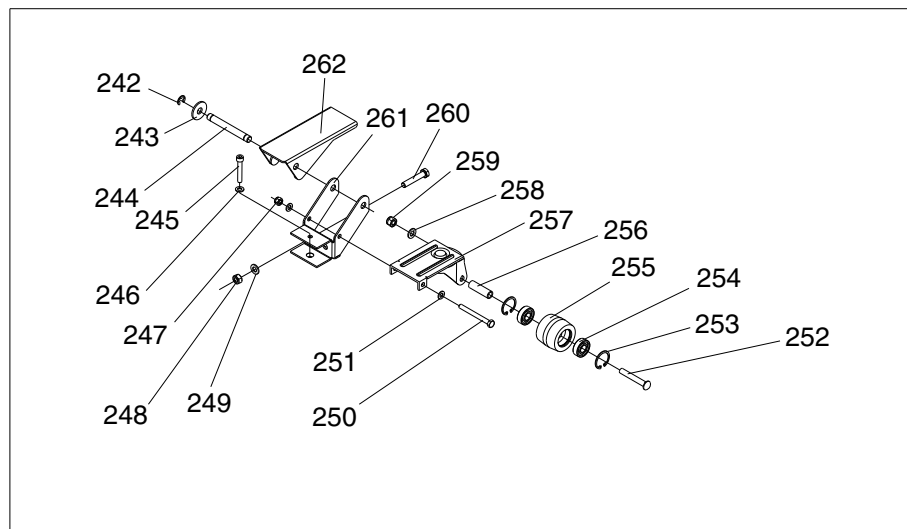
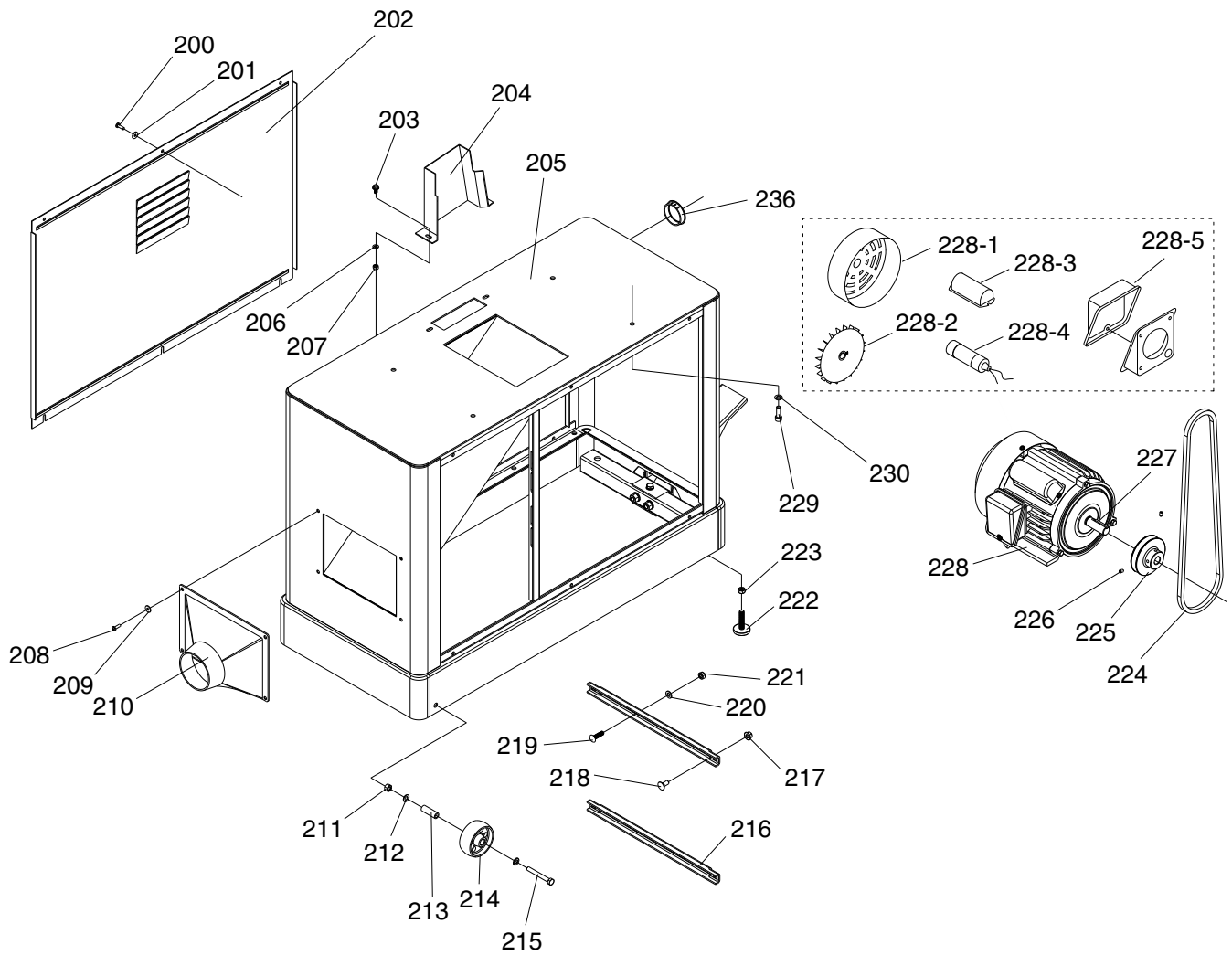
# Jointer Parts List

| REF | PART #   | DESCRIPTION            |
|-----|----------|------------------------|
| 85  | P0604085 | BUMPER                 |
| 86  | PW03M    | FLAT WASHER 6MM        |
| 87  | PSB07M   | CAP SCREW M6-1 X 30    |
| 88  | P0604088 | BASE                   |
| 89  | P0604089 | RIVET                  |
| 90  | P0604090 | SCALE                  |
| 91  | P0604091 | ADJUSTMENT SCREW       |
| 92  | PN02M    | HEX NUT M10-1.5        |
| 93  | PSS01M   | SET SCREW M6-1 X 10    |
| 94  | PSS01M   | SET SCREW M6-1 X 10    |
| 95  | P0604095 | ADJUSTMENT SCREW       |
| 96  | P0604096 | EXTENSION SPRING       |
| 98  | P0604098 | CHIPBREAKER            |
| 99  | PW03M    | FLAT WASHER 6MM        |
| 100 | PB02M    | HEX BOLT M6-1 X 12     |
| 101 | PW01M    | FLAT WASHER 8MM        |
| 102 | P0604102 | ADJUSTABLE HANDLE      |
| 103 | P0604103 | ECCENTRIC BUSHING      |
| 104 | P0604104 | TABLE SHAFT            |
| 105 | PSS14M   | SET SCREW M8-1.25 X 12 |
| 106 | P0604106 | TABLE SHAFT            |
| 107 | P0604107 | POINTER                |
| 108 | P0604108 | LEVER                  |
| 109 | PFH07M   | FLAT HD SCR M5-.8 X 10 |
| 110 | P0604110 | PIVOT BRACKET          |
| 111 | P0604111 | ADJUSTING BLOCK        |
| 112 | PN09M    | HEX NUT M12-1.75       |

| REF | PART #   | DESCRIPTION               |
|-----|----------|---------------------------|
| 113 | P0604113 | LEVER                     |
| 114 | P0604114 | HANDLE                    |
| 115 | PSB12M   | CAP SCREW M8-1.25 X 40    |
| 116 | P0604116 | CLAMP PLATE               |
| 117 | P0604117 | MEDIUM ADJUSTMENT SCR     |
| 118 | P0604118 | PUSH BLOCK                |
| 119 | P0604119 | OPEN END WRENCH 8/10MM    |
| 120 | P0604120 | OPEN END WRENCH 12/14MM   |
| 121 | PAW02.5M | HEX WRENCH 2.5MM          |
| 122 | PAW04M   | HEX WRENCH 4MM            |
| 123 | PAW05M   | HEX WRENCH 5MM            |
| 124 | PAW06M   | HEX WRENCH 6MM            |
| 125 | PAW08M   | HEX WRENCH 8MM            |
| 126 | PEC015M  | E-CLIP 8MM                |
| 127 | P0604127 | KNIFE GAUGE BLOCK         |
| 128 | P0604128 | KNIFE GAUGE ROD 120MM     |
| 129 | P0604129 | SWITCH PEDESTAL           |
| 130 | PSB31M   | CAP SCREW M8-1.25 X 25    |
| 131 | PLW04M   | LOCK WASHER 8MM           |
| 132 | PW01M    | FLAT WASHER 8MM           |
| 133 | P0604133 | FLANGE BOLT M6-1 X 16     |
| 134 | P0604134 | BALL STRAIN RELIEF 13.5MM |
| 135 | P0604135 | SWITCH BOX                |
| 136 | P0604136 | SWITCH ASSEMBLY'          |
| 137 | PHTEK4M  | TAP SCREW M4 X 8          |
| 138 | P0604138 | SWITCH BRACKET            |
| 139 | P0604139 | STRAIN RELIEF             |



# Stand/Motor Parts Breakdown



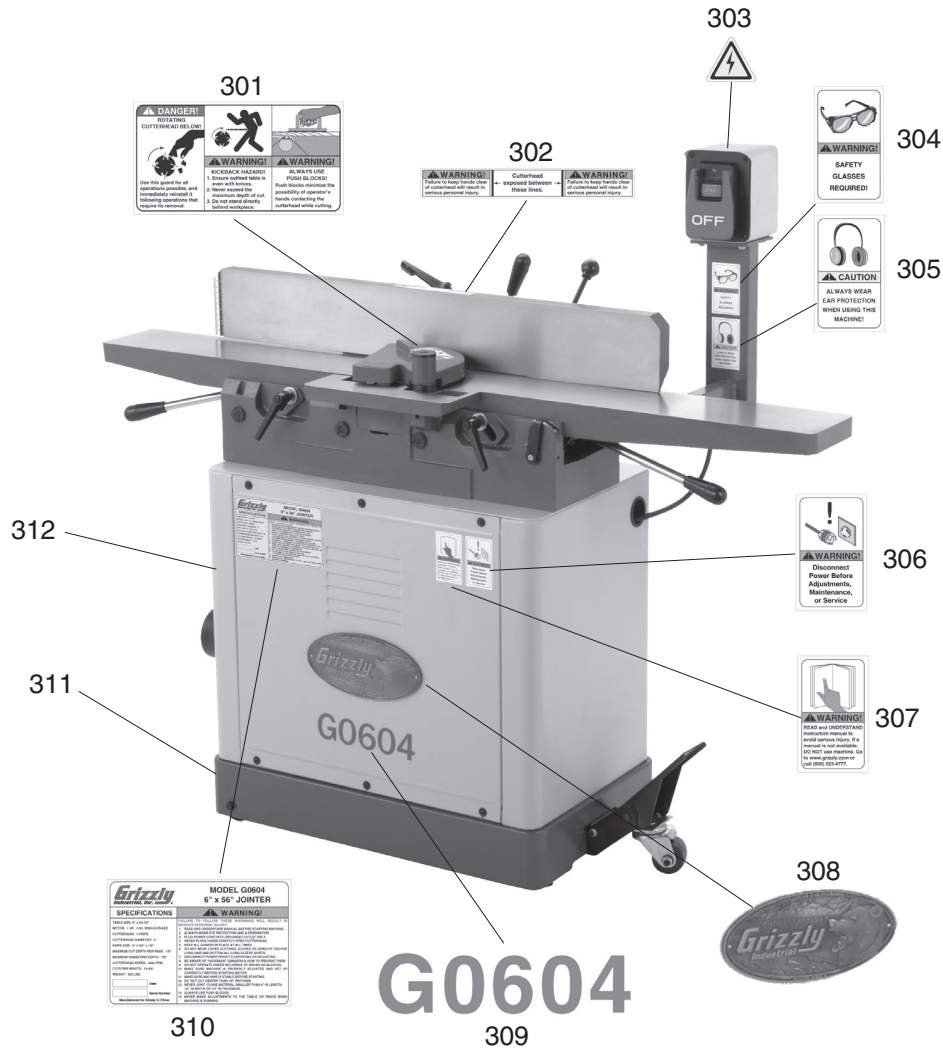
# Stand/Motor Parts List

| REF | PART #   | DESCRIPTION                 |
|-----|----------|-----------------------------|
| 200 | PS40M    | PHLP HD SCR M5-.8 X 16      |
| 201 | PW02M    | FLAT WASHER 5MM             |
| 202 | P0604202 | PANEL                       |
| 203 | PFS02M   | FLANGE SCREW M6-1 X 12      |
| 204 | P0604204 | BELT GUARD                  |
| 205 | P0604205 | CABINET STAND               |
| 206 | PW03M    | FLAT WASHER 6MM             |
| 207 | PN01M    | HEX NUT M6-1                |
| 208 | PS40M    | PHLP HD SCR M5-.8 X 16      |
| 209 | PW02M    | FLAT WASHER 5MM             |
| 210 | P0604210 | DUST PORT                   |
| 211 | PN03M    | HEX NUT M8-1.25             |
| 212 | PW01M    | FLAT WASHER 8MM             |
| 213 | P0604213 | SLEEVE                      |
| 214 | P0604214 | WHEEL                       |
| 215 | PB86M    | HEX BOLT M8-1.25 X 65       |
| 216 | P0604216 | MOTOR BRACKET               |
| 217 | P0604217 | FLANGE NUT 5/16-18          |
| 218 | PCB05    | CARRIAGE BOLT 5/16-18 X 3/4 |
| 219 | PCB11    | CARRIAGE BOLT 5/16-18 X 1   |
| 220 | PW07     | FLAT WASHER 5/16            |
| 221 | P0604221 | FLANGE NUT 5/16-18          |
| 222 | P0604222 | FOOT                        |
| 223 | PN08     | HEX NUT 3/8-16              |
| 224 | PVA40    | V-BELT A-40 4L400           |
| 225 | P0604225 | MOTOR PULLEY                |
| 226 | PSS02M   | SET SCREW M6-1 X 6          |
| 227 | PK12M    | KEY 5 X 5 X 30              |
| 228 | P0604228 | MOTOR 1HP                   |

| REF   | PART #     | DESCRIPTION             |
|-------|------------|-------------------------|
| 228-1 | P0604228-1 | FAN COVER               |
| 228-2 | P0604228-2 | MOTOR FAN               |
| 228-3 | P0604228-3 | CAPACITOR COVER         |
| 228-4 | P0604228-4 | CAPACITOR 200MFD 125VAC |
| 228-5 | P0604228-5 | WIRING BOX              |
| 229   | PSB31M     | CAP SCREW M8-1.25 X 25  |
| 230   | PLW04M     | LOCK WASHER 8MM         |
| 236   | P0604236   | STRAIN RELIEF           |
| 242   | PR16M      | EXT RETAINING RING 9MM  |
| 243   | P0604243   | SPECIAL WASHER 13MM     |
| 244   | P0604244   | SHAFT                   |
| 245   | PSB05M     | CAP SCREW M8-1.25 X 50  |
| 246   | PW01M      | FLAT WASHER 8MM         |
| 247   | PN03M      | HEX NUT M8-1.25         |
| 248   | PN02M      | HEX NUT M10-1.5         |
| 249   | PW04M      | FLAT WASHER 10MM        |
| 250   | PB45M      | HEX BOLT M8-1.25 X 100  |
| 251   | PW01M      | FLAT WASHER 8MM         |
| 252   | P0604252   | SPECIAL BOLT            |
| 253   | PR21M      | INT RETAINING RING 35MM |
| 254   | P0604254   | BALL BEARING 6202Z      |
| 255   | P0604255   | TROLLEY WHEEL           |
| 256   | P0604256   | SLEEVE                  |
| 257   | P0604257   | TROLLEY BRACKET         |
| 258   | PW04M      | FLAT WASHER 10MM        |
| 259   | PN02M      | HEX NUT M10-1.5         |
| 260   | PB144M     | HEX BOLT M10-1.5 X 55   |
| 261   | P0604261   | PEDAL BRACKET           |
| 262   | P0604262   | PEDAL                   |



# Warning Label Parts List



| REF | PART #    | DESCRIPTION              |
|-----|-----------|--------------------------|
| 301 | PLABEL-29 | CUTTERHEAD GUARD LABEL   |
| 302 | P0604302  | CUTTERHEAD WARNING LABEL |
| 303 | PLABEL-14 | ELECTRICITY LABEL        |
| 304 | P0604304  | SAFETY GLASSES LABEL     |
| 305 | P0604305  | EAR PROTECTION LABEL     |
| 306 | P0604306  | DISCONNENCT POWER LABEL  |

| REF | PART #   | DESCRIPTION                  |
|-----|----------|------------------------------|
| 307 | P0604307 | READ MANUAL LABEL            |
| 308 | P0604308 | GRIZZLY NAMEPLATE            |
| 309 | P0604309 | MODEL # LABEL                |
| 310 | P0604310 | MACHINE ID LABEL             |
| 311 | P0604311 | "GRIZZLY GREEN" TOUCH-UP PAI |
| 312 | P0604312 | "PUTTY" TOUCH-UP PAINT       |

## WARNING

Safety labels warn about machine hazards and ways to prevent injury. The owner of this machine **MUST** maintain the original location and readability of the labels on the machine. If any label is removed or becomes unreadable, **REPLACE** that label before using the machine again. Contact Grizzly at (800) 523-4777 or [www.grizzly.com](http://www.grizzly.com) to order new labels.

