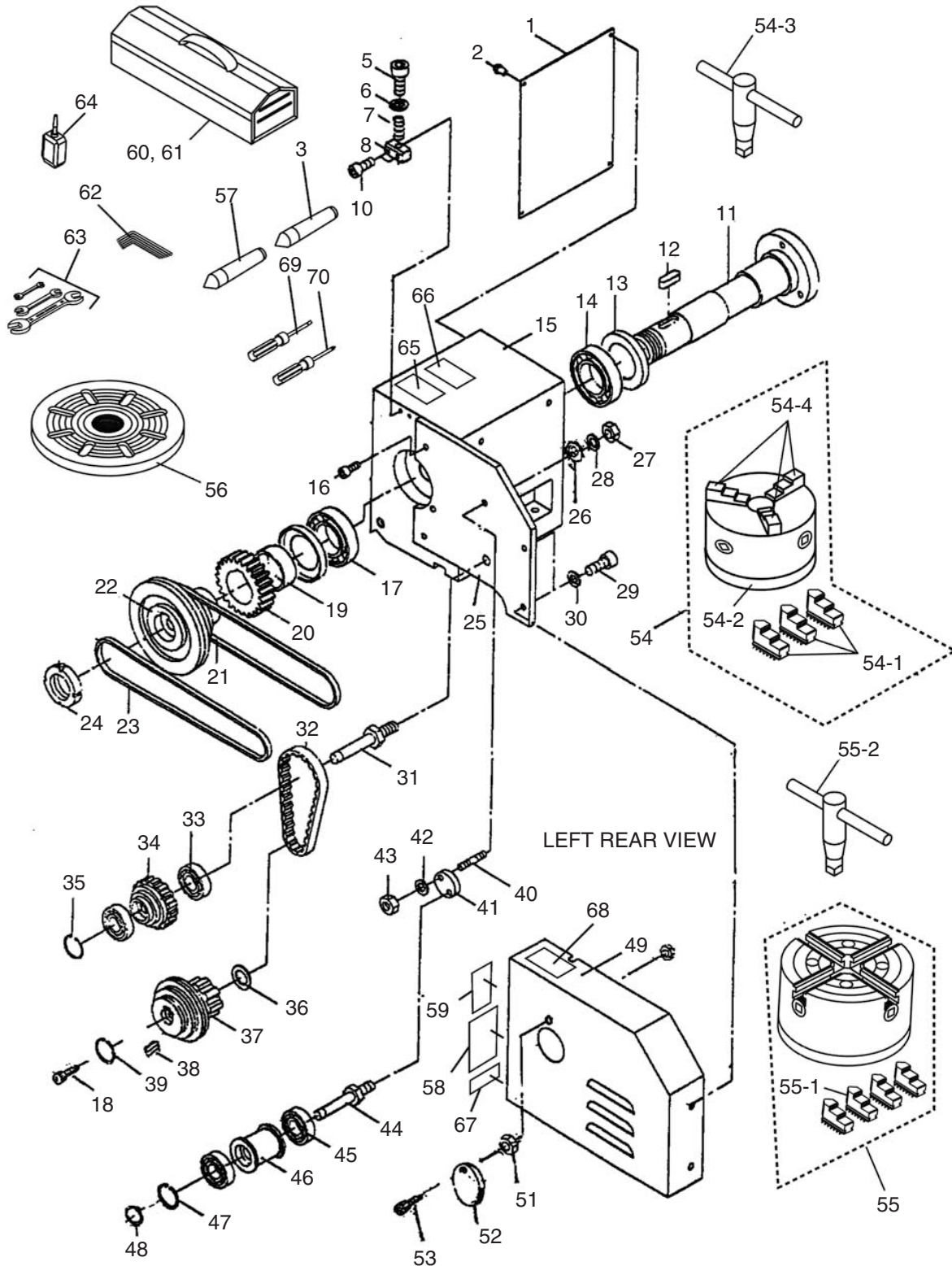


# SECTION 9: PARTS

## Spindle & Drive Belt



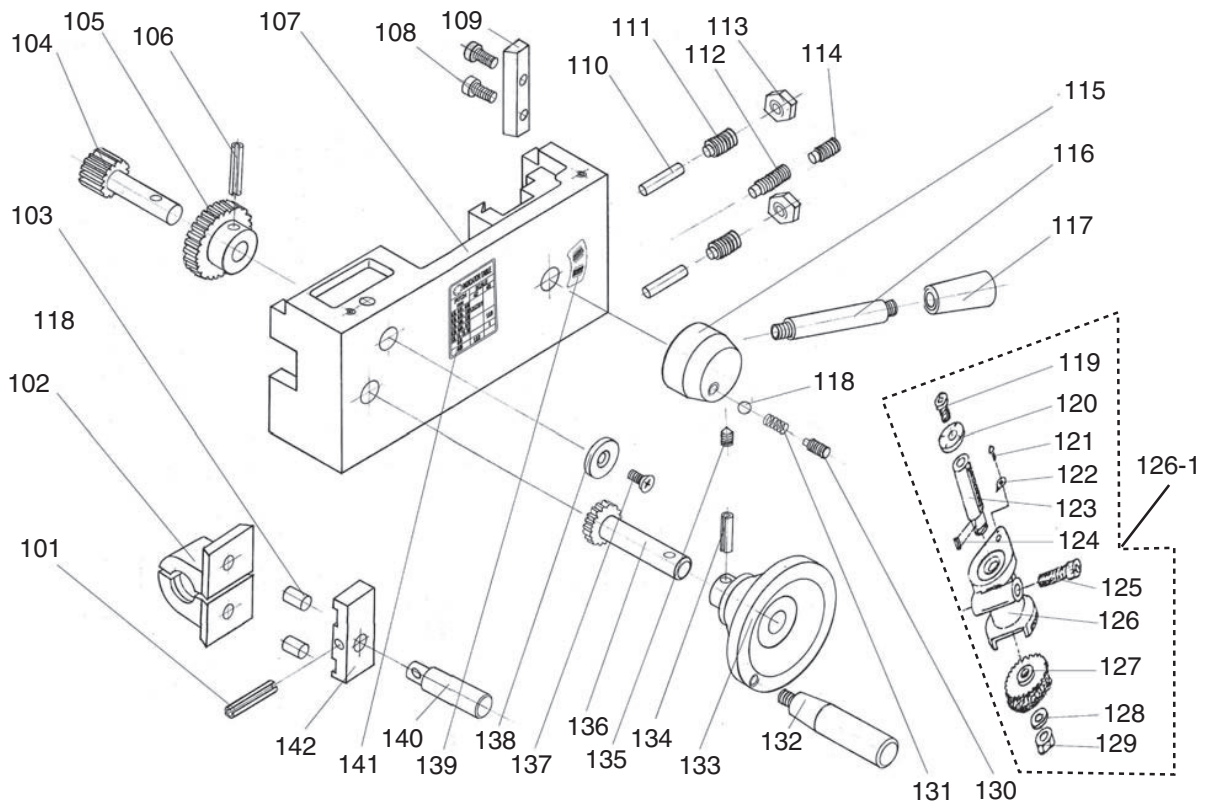
# Spindle & Drive Belt Parts

REF	PART #	DESCRIPTION
1	P0602001	TERMINAL COVER
2	PS17M	PHLP HD SCR M4-.7 X 6
3	P0602003	DEAD CENTER MT#4
5	PCAP06M	CAP SCREW M6-1 X 25
6	PW03M	FLAT WASHER 6MM
7	P0602007	COMPRESSION SPRING
8	P0602008	CLAMP
10	PCAP06M	CAP SCREW M6-1 X 25
11	P0602011	SPINDLE
12	PK135M	KEY 10 X 10 X 55
13	P0602013	SPACER
14	P32009	TAPERED ROLLER BEARING 32009
15	P0602015	HEADSTOCK
16	PCAP14M	CAP SCREW M8-1.25 X 20
17	P32009	TAPERED ROLLER BEARING 32009
18	PCAP02M	CAP SCREW M6-1 X 20
19	P0602019	SPACER
20	P0602020	GEAR PLASTIC 40T
21	PVM27.5	V-BELT M-27.5 3L275
22	P0602022	PULLEY
23	PVM33	V-BELT M-33 3L330
24	P0602024	SPANNER NUT 37MM
25	P0602025	BRACKET PLATE
26	PLW06M	LOCK WASHER 10MM
27	PN02M	HEX NUT M10-1.5
28	PW04M	FLAT WASHER 10MM
29	PCAP50M	CAP SCREW M5-.8 X 10
30	PW02M	FLAT WASHER 5MM
31	P0602031	SPINDLE SHAFT
32	P0602032	COGGED BELT 263L
33	P6001	BALL BEARING 6001
34	P0602034	COGGED PULLEY
35	PR03M	EXT RETAINING RING 12MM
36	P0602036	SPACER
37	P0602037	COGGED PULLEY
38	PK11M	KEY 6 X 6 X 40
39	P0602039	SPACER

REF	PART #	DESCRIPTION
40	P0602040	STUD
41	P0602041	PLATE
42	PW04M	FLAT WASHER 10MM
43	PN02M	HEX NUT M10-1.5
44	P0602044	SPINDLE SHAFT
45	P0602045	BALL BEARING 12 X 28 X 8
46	P0602046	ROLLER
47	PR20M	INT RETAINING RING 28MM
48	PR03M	EXT RETAINING RING 12MM
49	P0602049	COVER
51	PN06M	HEX NUT M5-.8
52	P0602052	COVER
53	PS08M	PHLP HD SCR M5-.8 X 12
54	P0602054	CHUCK 3-JAW 5"
54-1	P0602054-1	CHUCK 3-JAWS STD 3 PC SET
54-2	P0602054-2	CHUCK BACKPLATE
54-3	P0602054-3	CHUCK 3-JAW KEY
54-4	P0602054-4	CHUCK 3-JAWS REV 3 PC SET
55	P0602055	CHUCK 4-JAW 6.5"
55-1	P0602055-1	CHUCK 4-JAW 1PC
55-2	P0602055-2	CHUCK 4-JAW KEY
56	P0602056	FACEPLATE 8"
57	P0602057	DEAD CENTER MT#3
58	P0602940	MACHINE ID LABEL ALUMINUM
59	P0602941	ENTANGLEMENT LABEL ALUMINUM
60	P0602942	TOOL BOX
61	P0602942A	COMPLETE TOOL BOX ASSEMBLY
62	P0602943	HEX WRENCH SET (2.5,3,4,5,6MM)
63	P0602944	WRENCH SET (8-10, 12-14, 17-19MM)
64	P0602945	OIL BOTTLE
65	P0602065	READ MANUAL LABEL ALUMINUM
66	P0602066	WEAR SAFETY GLASSES LABEL ALUMINUM
67	P0602946	SHIFT NOTICE LABEL ALUMINUM
68	P0602947	DISCONNECT POWER LABEL ALUMINUM
69	P0602069	STANDARD SCREWDRIVER #1
70	P0602070	PHILLIPS SCREWDRIVER #1



# Apron

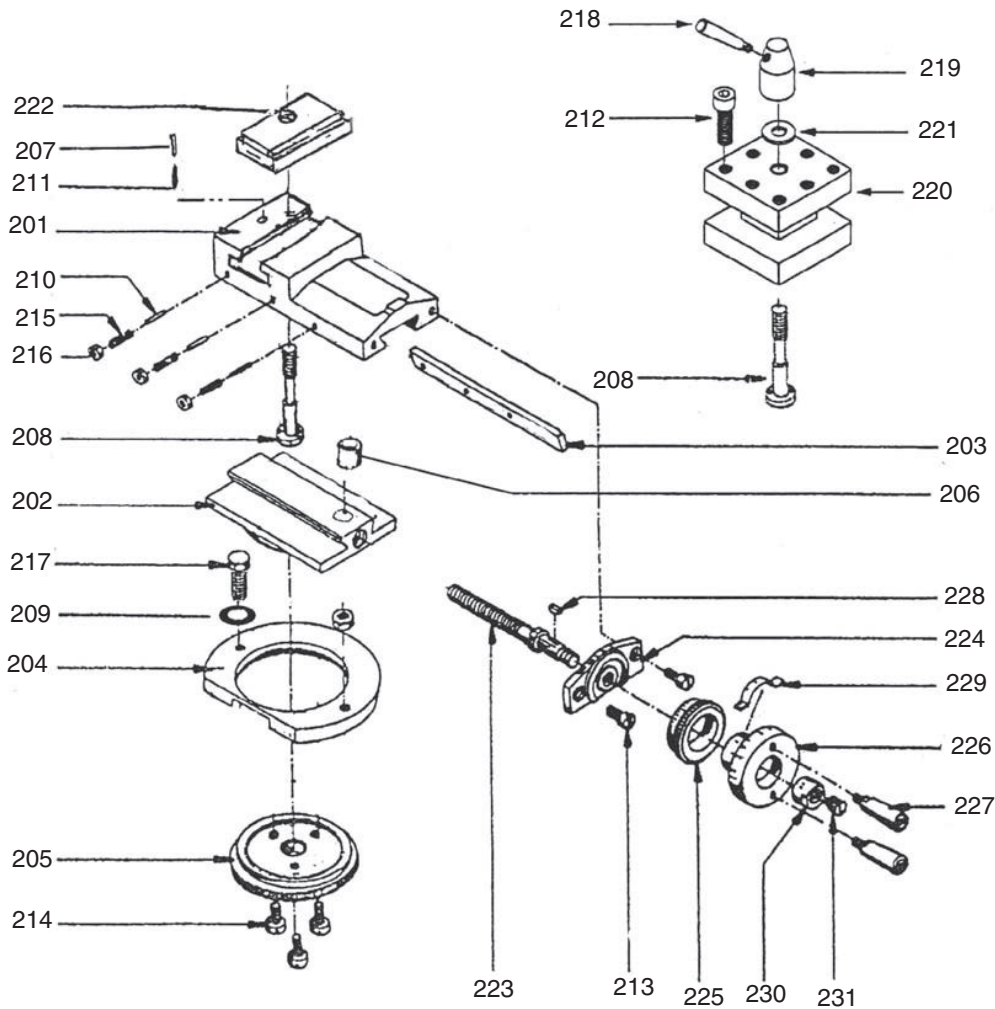


REF	PART #	DESCRIPTION
101	PRP19M	ROLL PIN 4 X 14
102	P0602102	HALF NUT
103	PRP59M	ROLL PIN 5 X 12
104	P0602104	GEAR SHAFT
105	P0602105	GEAR
106	PRP73M	ROLL PIN 4 X 30
107	P0602107	APRON CASTING
108	PCAP23M	CAP SCREW M4-.7 X 12
109	P0602109	GIB
110	PRP76M	ROLL PIN 4 X 16
111	PSS34M	SET SCREW M5-.8 X 16
112	PSS12M	SET SCREW M6-1 X 25
113	PN06M	HEX NUT M5-.8
114	PSS04M	SET SCREW M6-1 X 12
115	P0602115	LEVER HUB
116	P0602116	LEVER
117	P0602117	LEVER HANDLE
118	P0602118	STEEL BALL
119	PCAP85M	CAP SCREW M6-1 X 6
120	P0602120	DIAL
121	PRIV001M	STEEL FLUTED RIVET 2 X 5MM
122	P0602122	POINTER

REF	PART #	DESCRIPTION
123	P0602123	SHAFT
124	PK39M	KEY 3 X 3 X 10
125	PCAP83M	CAP SCREW M6-1 X 55
126	P0602126	THREAD DIAL BODY
126-1	P0602126-1	COMPLETE DIAL ASSY
127	P0602127	SIDE GEAR 48T
128	PW01M	FLAT WASHER 8MM
129	PN03M	HEX NUT M8-1.25
130	PSS02M	SET SCREW M6-1 X 6
131	P0602131	COMPRESSION SPRING
132	P0602132	HANDLE
133	P0602133	HANDWHEEL
134	PRP04M	ROLL PIN 4 X 24
135	P0602135	POINTED SET SCR M6-1 X 12
136	P0602136	GEAR SHAFT
137	PFH43M	FLAT HD SCR M6-1 X 10
138	PW03M	FLAT WASHER 6MM
139	P0602139	INDICATOR PLATE
140	P0602140	SHAFT
141	P0602141	THREADED DIAL PLATE
142	P0602142	LOCK CAM



# Tool Holder & Compound Rest

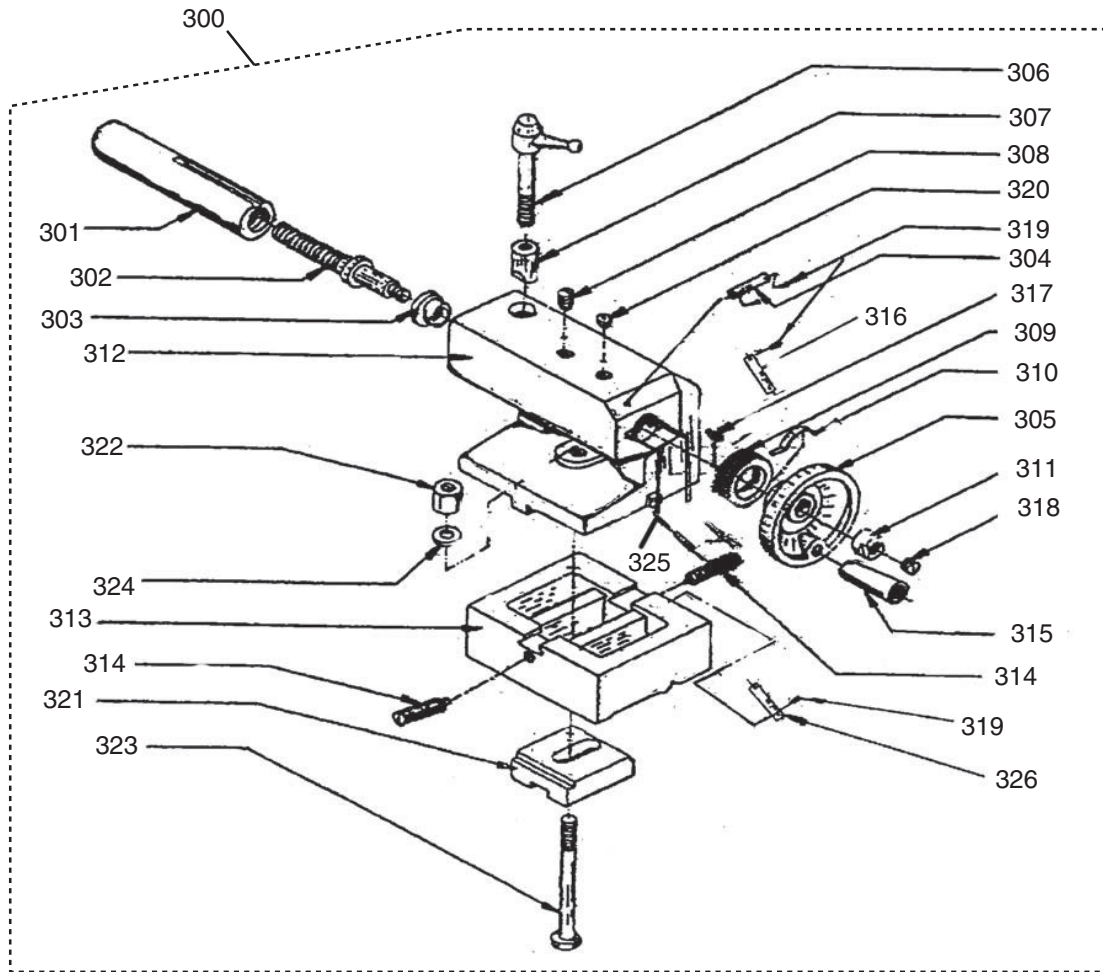


REF	PART #	DESCRIPTION
201	P0602201	COMPOUND SLIDE
202	P0602202	SWIVEL BASE
203	P0602203	GIB
204	P0602204	CLAMPING RING
205	P0602205	GRADUATED DIAL
206	P0602206	BARREL NUT
207	P0602207	DOWEL PIN
208	P0602208	TOOL POST STUD
209	PW01M	FLAT WASHER 8MM
210	P0602210	DOWEL PIN
211	P0602211	COMPRESSION SPRING
212	P0602212	BULLNOSE CAP SCR M8-1.25 X 29
213	PCAP31M	CAP SCREW M8-1.25 X 25
214	PCAP26M	CAP SCREW M6-1 X 12
215	PSS34M	SET SCREW M5-.8 X 16
216	PN06M	HEX NUT M5-.8

REF	PART #	DESCRIPTION
217	PB26M	HEX BOLT M8-1.25 X 30
218	P0602218	HANDLE
219	P0602219	HANDLE HUB
220	P0602220	TOOL REST
221	P0602221	RUB SPACER
222	P0602222	SLIDE PLATE
223	P0602223	LEADSCREW
224	P0602224	LEADSCREW MOUNT
225	P0602225	GRADUATED DIAL
226	P0602226	HANDWHEEL
227	P0602227	HANDLE
228	PK03M	KEY 3 X 3 X 8
229	P0602229	POINTER
230	P0602230	THREADED COLLAR
231	PSS17M	SET SCREW M8-1.25 X 6



# Tailstock

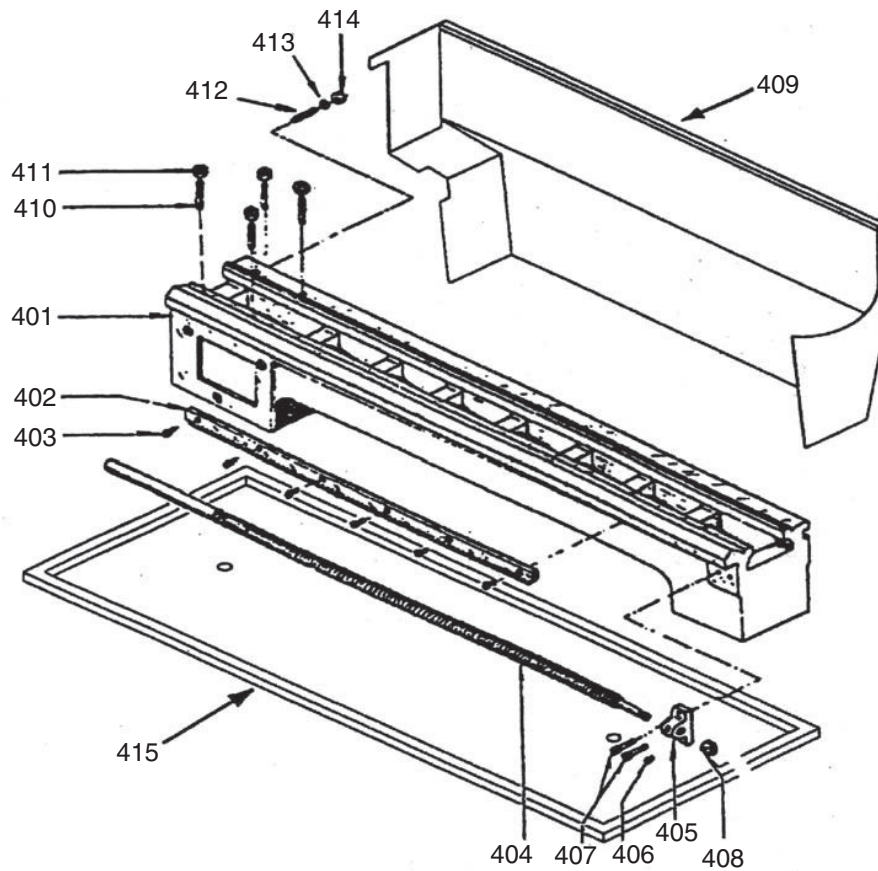


REF	PART #	DESCRIPTION
300	P0602300	COMPLETE TAILSTOCK ASSY
301	P0602301	TAILSTOCK QUILL
302	P0602302	LEADSCREW
303	P0602303	BUSHING
304	P0602304	HANDWHEEL SCALE PLATE
305	P0602305	HANDWHEEL
306	P0602306	LEVER BOLT M12-1.75 X 50
307	P0602307	BARREL NUT
308	PSS04M	SET SCREW M6-1 X 12
309	P0602309	GRADUATED DIAL
310	P0602310	POINTER
311	P0602311	WASHER
312	P0602312	TAILSTOCK BODY
313	P0602313	TAILSTOCK BASE

REF	PART #	DESCRIPTION
314	PSS21M	SET SCREW M8-1.25 X 25
315	P0602315	HANDLE
316	P0602316	OFFSET SCALE PLATE
317	P0602317	KEY
318	PLN05M	LOCK NUT M10-1.5
319	P0602319	RIVET 2 X 5
320	P0602320	BALL OILER
321	P0602321	CLAMPING PLATE
322	PN09M	HEX NUT M12-1.75
323	PB158M	HEX BOLT M12-1.75 X 90
324	PW06M	FLAT WASHER 12MM
325	PSS26M	SET SCREW M5-.8 X 6
326	P0602326	PLATE



# Bed & Leadscrew

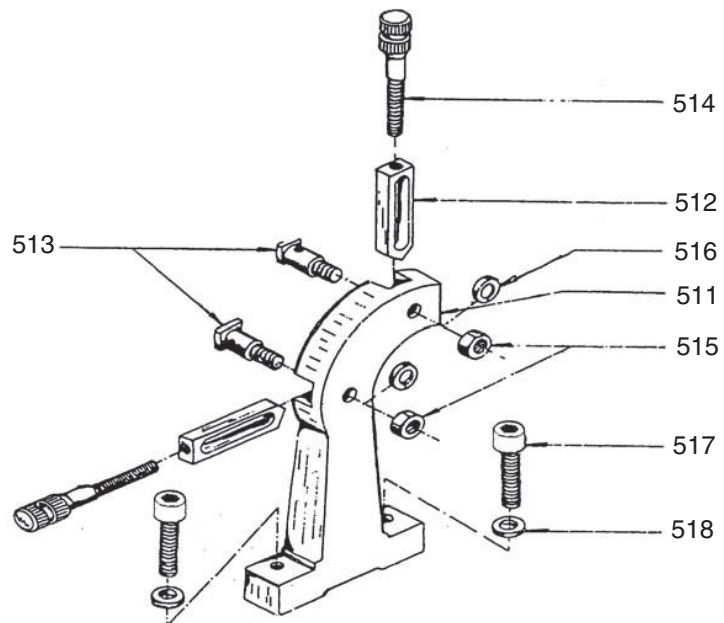
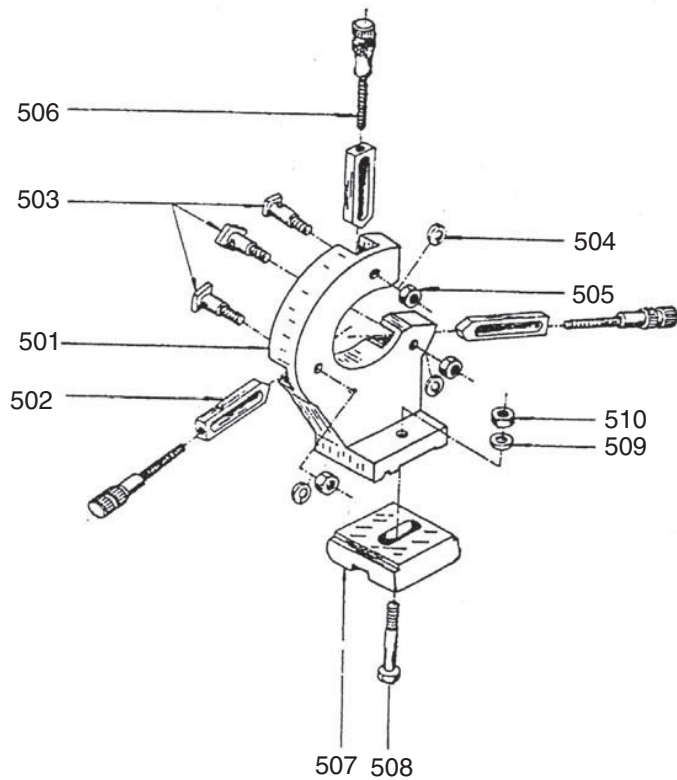


REF	PART #	DESCRIPTION
401	P0602401	BED
402	P0602402	RACK
403	PCAP33M	CAP SCREW M5-.8 X 12
404	P0602404	LEADSCREW
405	P0602405	BRACKET
406	P0602406	BALL OILER
407	PCAP02M	CAP SCREW M6-1 X 20
408	PLN05M	LOCK NUT M10-1.5

REF	PART #	DESCRIPTION
409	P0602409	SPLASH GUARD
410	P0602410	STUD M10-1.5 X 35
411	PN02M	HEX NUT M10-1.5
412	PSS44M	SET SCREW M8-1.25 X 40
413	PW01M	FLAT WASHER 8MM
414	PN03M	HEX NUT M8-1.25
415	P0602415	CHIP PAN



# Steady Rest & Follow Rest

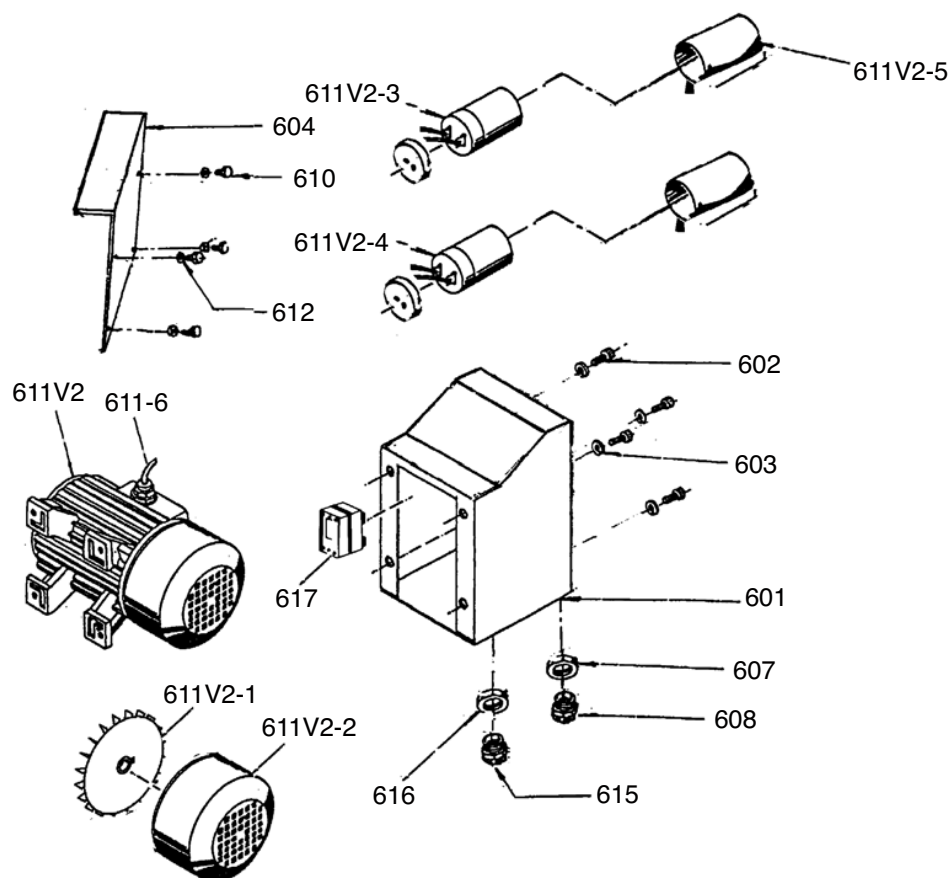


REF	PART #	DESCRIPTION
501	P0602501	STEADY REST CASTING
502	P0602502	FINGER
503	P0602503	SHOULDER T-BOLT
504	PLW03M	LOCK WASHER 6MM
505	PN01M	HEX NUT M6-1
506	P0602506	ADJUSTING SCREW
507	P0602507	CLAMPING PLATE
508	PB125M	HEX BOLT M12-1.75 X 65
509	PW04M	FLAT WASHER 10MM

REF	PART #	DESCRIPTION
510	PN02M	HEX NUT M10-1.5
511	P0602511	FOLLOW REST CASTING
512	P0602512	FINGER
513	P0602513	SHOULDER T-BOLT
514	P0602514	ADJUSTING SCREW
515	PN01M	HEX NUT M6-1
516	PLW03M	LOCK WASHER 6MM
517	PCAP40M	CAP SCREW M8-1.25 X 35
518	PW01M	FLAT WASHER 8MM



# Motor & Electrical

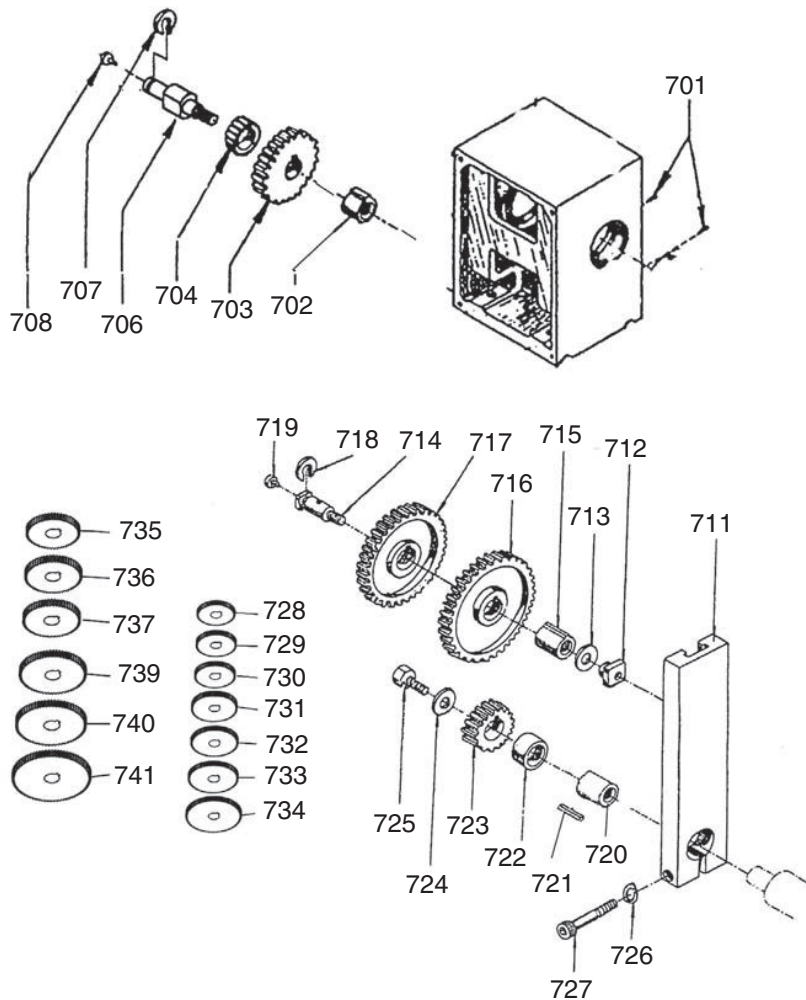


REF	PART #	DESCRIPTION
601	P0602601	CABINET
602	PCAP06M	CAP SCREW M6-1 X 25
603	PLW03M	LOCK WASHER 6MM
604	P0602604	COVER
607	P0602607	STRAINS RELIEF NUT
608	P0602608	STRAIN RELIEF
610	PS09M	PHLP HD SCR M5-.8 X 10
611	P0602611	MOTOR CAST IRON BODY V1.12.06
611-1	P0602611-1	FAN
611-2	P0602611-2	FAN COVER
611-3	PC150A	S CAPACITOR 150M 250V
611-4	P0602611-4	R CAPACITOR 20M 400V

REF	PART #	DESCRIPTION
611-5	P0602611-5	CAPACITOR COVER W/CAP
611-6	P0602611-6	POWER CORD
611V2	P0602611V2	MOTOR ALUMINUM BODY V2.09.08
611V2-1	P0602611V2-1	FAN V2.09.08
611V2-2	P0602611V2-2	FAN COVER V2.09.08
611V2-3	P0602611V2-3	S CAPACITOR 150M 125V V2.09.08
611V2-4	P0602611V2-4	R CAPACITOR 20M 400V V2.09.08
611V2-5	P0602611V2-5	CAPACITOR COVER V2.09.08
612	PLW03M	LOCK WASHER 6MM
615	P0602615	STRAIN RELIEF
616	P0602616	STRAIN RELIEF NUT
617	P0602617	CONTACTOR 3TB41 22E SIEMENS



# Gearbox Diagram A

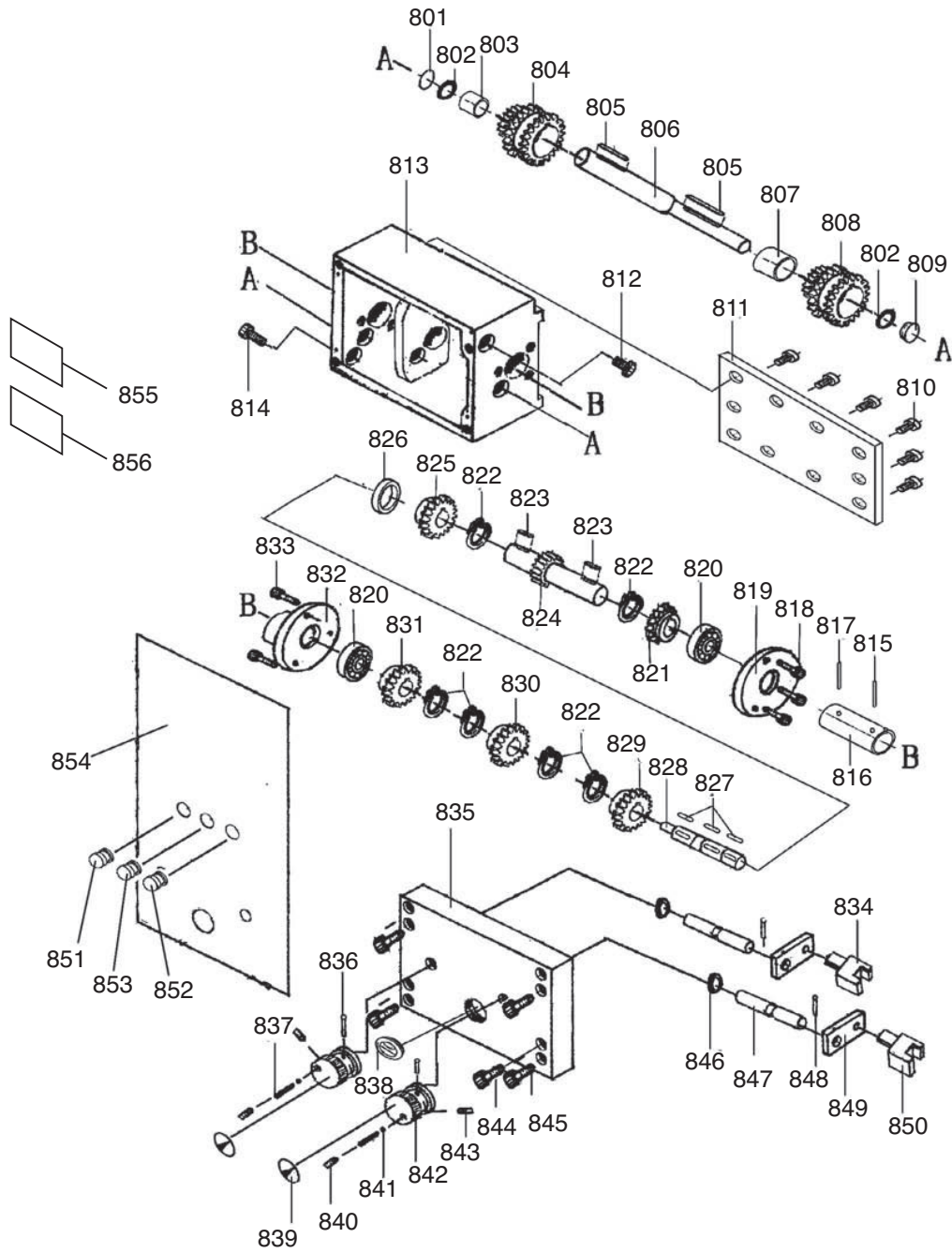


REF	PART #	DESCRIPTION
701	PSS01M	SET SCREW M6-1 X 10
702	P0602715	BUSHING
703	P0602703	PLASTIC DRIVE GEAR 60T
704	P0602704	CAST-IRON GEAR 27T
706	P0602706	SHAFT
707	P0602707	E-CLIP
708	P0602708	BALL OILER
711	P0602711	BRACKET
712	P0602712	T-NUT
713	P0602713	SPACER WASHER
714	P0602714	SHAFT
715	P0602715	BUSHING
716	P0602716	GEAR 127T
717	P0602717	GEAR 56T
718	P0602718	E-CLIP
719	P0602719	BALL OILER
720	P0602720	BUSHING
721	PK134M	KEY 4 X 4 X 14
722	P0602722	SPACER RING

REF	PART #	DESCRIPTION
723	P0602723	GEAR 104T
724	PW03M	FLAT WASHER 6MM
725	PCAP85M	CAP SCREW M6-1 X 6
726	PLW04M	LOCK WASHER 8MM
727	PCAP12M	CAP SCREW M8-1.25 X 40
728	P0602728	CHANGE GEAR 36T
729	P0602729	CHANGE GEAR 36T
730	P0602730	CHANGE GEAR 40T
731	P0602731	CHANGE GEAR 44T
732	P0602732	CHANGE GEAR 46T
733	P0602733	CHANGE GEAR 48T
734	P0602734	CHANGE GEAR 52T
735	P0602735	CHANGE GEAR 45T
736	P0602736	CHANGE GEAR 56T
737	P0602737	CHANGE GEAR 60T
739	P0602739	CHANGE GEAR 104T
740	P0602740	CHANGE GEAR 120T
741	P0602741	CHANGE GEAR 127T



# Gearbox Diagram B



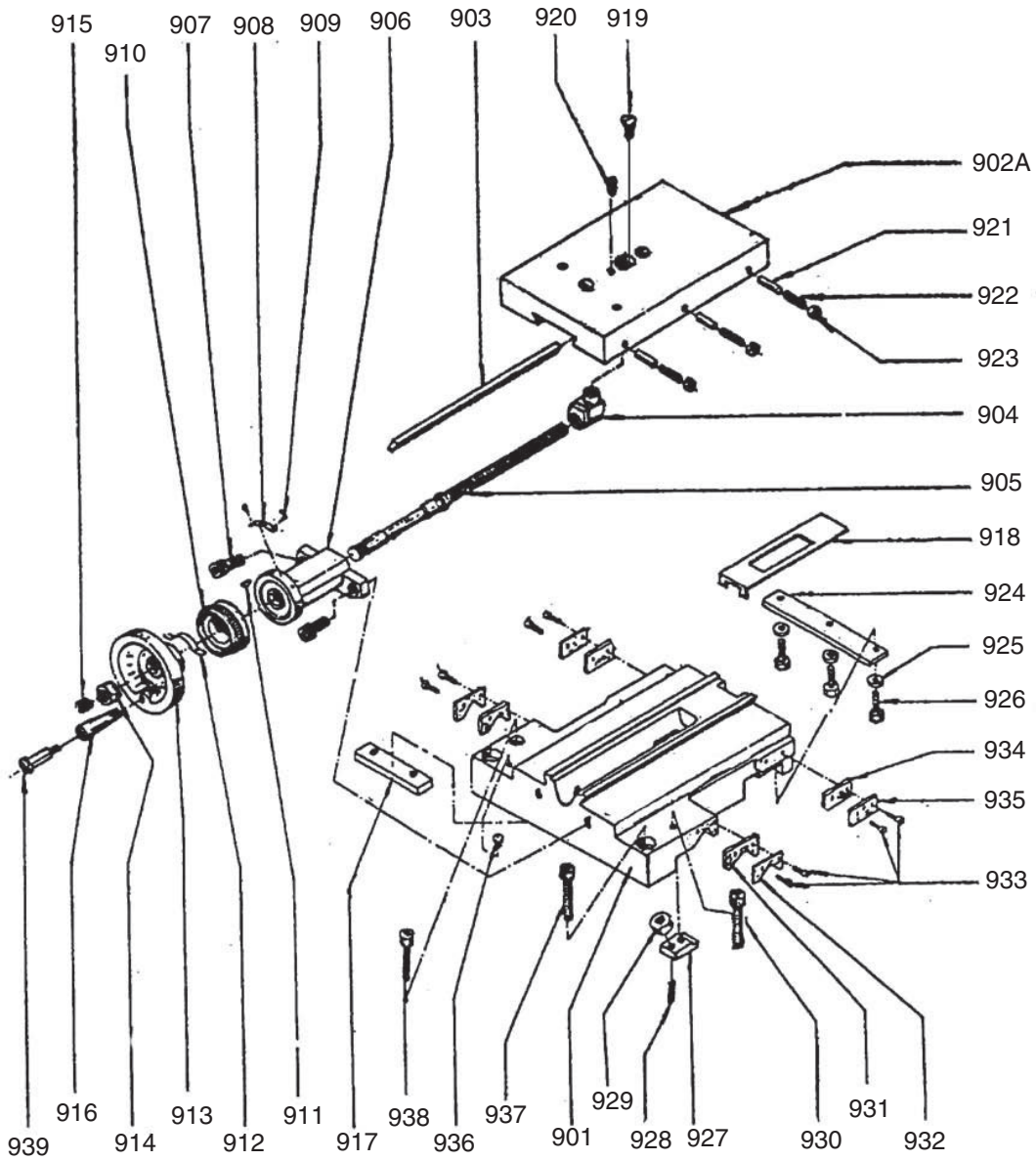
# Gearbox Diagram B Parts

REF	PART #	DESCRIPTION
801	P0602801	PLUG
802	P0602802	O-RING
803	P0602803	BUSHING
804	P0602804	CLUSTER GEAR 30/36/33T
805	PK133M	KEY 4 X 4 X 50
806	P0602806	SHAFT
807	P0602807	BUSHING
808	P0602808	CLUSTER GEAR 22/44/33T
809	P0602809	PLUG
810	PCAP50M	CAP SCREW M5-.8 X 10
811	P0602811	COVER
812	P0602812	PLUG
813	P0602813	GEAR BOX CASE
814	P0602814	DRAIN PLUG
815	P0602815	SHEAR PIN 5 X 20
816	P0602816	COLLAR
817	P0602817	SHEAR PIN 5 X 20
818	PCAP26M	CAP SCREW M6-1 X 12
819	P0602819	FLANGE
820	P6202	BALL BEARING 6202
821	P0602821	GEAR 33T
822	PR03M	EXT RETAINING RING 12MM
823	PK29M	KEY 4 X 4 X 8
824	P0602824	GEAR SHAFT 22T
825	P0602825	GEAR 44T
826	P0602826	COLLAR
827	PK132M	KEY 4 X 4 X10
828	P0602828	SHAFT

REF	PART #	DESCRIPTION
829	P0602829	GEAR 33T
830	P0602830	GEAR 30T
831	P0602831	GEAR 35T
832	P0602832	FLANGE
833	PCAP01M	CAP SCREW M6-1 X 16
834	P0602834	SHIFT FORK
835	P0602835	COVER
836	PRP05M	ROLL PIN 5 X 30
837	P0602837	COMPRESSION SPRING
838	P0602838	SIGHT GLASS
839	P0602839	POINTER DISK
840	PSS01M	SET SCREW M6-1 X 10
841	P0602841	STEEL BALL
842	P0602842	SHIFT HUB
843	PSS01M	SET SCREW M6-1 X 10
844	PCAP37M	CAP SCREW M6-1 X 50
845	PCAP02M	CAP SCREW M6-1 X 20
846	P0602846	O-RING
847	P0602847	SHAFT
848	PRP03M	ROLL PIN 5 X 20
849	P0602849	SHIFT LEVER
850	P0602850	SHIFT FORK
851	P0602851	EMERGENCY OFF SWITCH
852	P0602852	ON PUSH BUTTON SWITCH
853	P0602853	MOTOR ROTATION SWITCH
854	P0602854	CONTROL PANEL
855	P0602855	READ MANUAL LABEL ALUMINUM
856	P0602856	SAFETY GLASSES LABEL ALUMINUM



# Cross Feed & Carriage



# Cross Feed & Carriage Parts

REF	PART #	DESCRIPTION
901	P0602901	SADDLE
902A	P0602902A	CROSS SLIDE V2.08.07
903	P0602903	GIB
904	P0602904	CROSS SLIDE NUT
905	P0602905	LEADSCREW
906	P0602906	HOUSING
907	PCAP31M	CAP SCREW M8-1.25 X 25
908	P0602908	PLATE
909	P0602909	RIVET 2 X 5
910	P0602910	GRADUATED DIAL
911	PK105M	KEY 3 X 3 X 6
912	P0602912	COMPRESSION SPRING
913	P0602913	HANDWHEEL
914	P0602914	SPECIAL HEX NUT
915	PSS17M	SET SCREW M8-1.25 X 6
916	P0602916	HANDLE
917	P0602917	SLIDE BLOCK
918	P0602918	CHIP GUARD
919	PCAP26M	CAP SCREW M6-1 X 12
920	PSS11M	SET SCREW M6-1 X 16

REF	PART #	DESCRIPTION
921	P0602921	DOWEL PIN
922	PSS34M	SET SCREW M5-.8 X 16
923	PN06M	HEX NUT M5-.8
924	P0602924	APRON TENSION BAR
925	PW03M	FLAT WASHER 6MM
926	PCAP01M	CAP SCREW M6-1 X 16
927	P0602927	CLIP
928	PSS25M	SET SCREW M6-1 X 20
929	PN01M	HEX NUT M6-1
930	PCAP48M	CAP SCREW M6-1 X 35
931	P0602931	WIPER
932	P0602932	WIPER CLAMP
933	PS07M	PHLP HD SCR M4-.7 X 8
934	P0602934	WAY COVER
935	P0602935	COVER MOUNT
936	P0602936	OIL PORT
937	PCAP40M	CAP SCREW M8-1.25 X 35
938	PCAP48M	CAP SCREW M6-1 X 35
939	P0602939	SPECIAL SHOULDER BOLT

