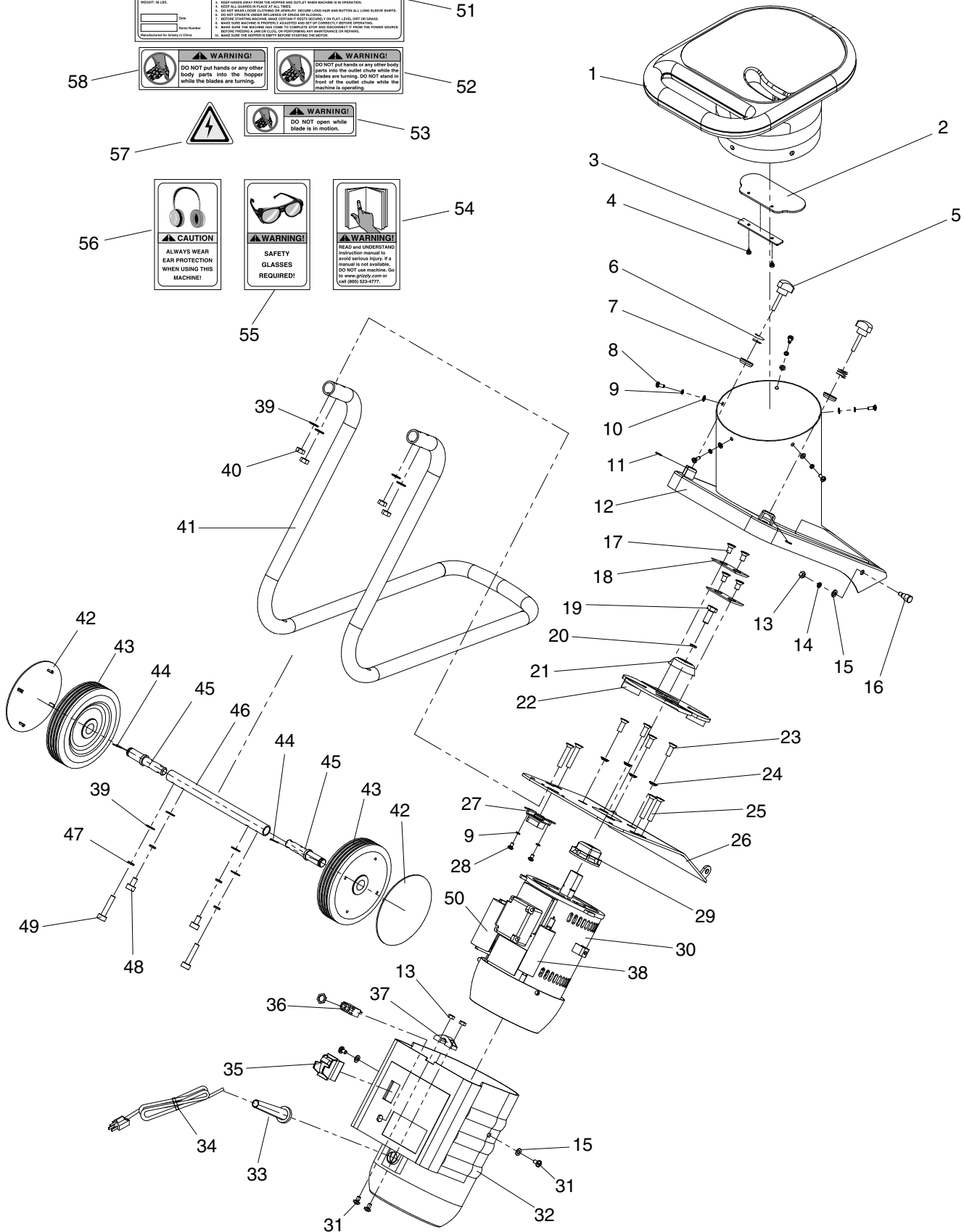


Parts Breakdown

Grizzly POWER TOOLS, INC.		MODEL G0595 CHIPPER/SHREDDER
SPECIFICATIONS		WARNING!
HOPPER: 13.5 HP, 100% BRASS/PHASE MAX. WOOD DIAMETER: 7" MOTOR: 9.5 AMP		FAILURE TO FOLLOW THESE WARNINGS WILL RESULT IN SERIOUS PERSONAL INJURY. 1. READ AND UNDERSTAND THE WARNINGS BEFORE USING THE MACHINE. 2. ALWAYS WEAR EYE AND EAR PROTECTION. 3. KEEP HANDS AWAY FROM THE HOPPER AND OUTLET WHEN MACHINE IS OPERATING. 4. KEEP ALL CHILDREN AWAY FROM THE MACHINE. 5. DO NOT WEAR LOOSE CLOTHING OR JEWELRY. SECURE LONG HAIR AND BUTTON ALL LONG SLEEVE SHIRTS. 6. DO NOT OPERATE WHILE DRIVING OR OPERATING ANY OTHER MACHINES. 7. BEFORE STARTING MACHINE, MAKE SURE FEET OR TOES ARE ON FIRM, LEVEL SURFACE. 8. MAKE SURE MACHINE IS PROPERLY ASSEMBLED AND SET UP CORRECTLY BEFORE OPERATING. 9. MAKE SURE THE MACHINE HAS BEEN MAINTAINED AND OPERATED IN ACCORDANCE WITH THE USER MANUAL. 10. MAKE SURE THE MACHINE IS PROPERLY STORED AND MAINTAINED.
WARNING! DO NOT put hands or any other body parts into the hopper while the blades are turning.		WARNING! DO NOT put hands or any other body parts into the outlet chute while the machine is operating.
WARNING! DO NOT open while blade is in motion.		
CAUTION ALWAYS WEAR EAR PROTECTION WHEN USING THIS MACHINE!		SAFETY GLASSES REQUIRED!
WARNING! READ AND UNDERSTAND instruction manual to avoid serious injury. If a manual is not available, DO NOT use machine. Go to www.grizzly.com or call 800-325-8777.		



Parts List

REF	PART #	DESCRIPTION
1	P0595001	HOPPER
2	P0595002	BAFFLE
3	P0595003	BACKING PLATE
4	PHTEK15M	TAP SCREW M4 X 10
5	P0595005	LOCK KNOB
6	P0595006	COMPRESSION SPRING
7	P0595007	SPRING BOWL
8	PS08M	PHLP HD SCR M5-.8 X 12
9	PLW01M	LOCK WASHER 5MM
10	PW02M	FLAT WASHER 5MM
11	PEC09M	E-CLIP 6MM
12	P0595012	CHUTE
13	PN01M	HEX NUT M6-1
14	PLW03M	LOCK WASHER 6MM
15	PW03M	FLAT WASHER 6MM
16	P0595016	PIVOT PIN
17	PFH28M	FLAT HD SCR M8-1.25 X 10
18	P0595018	BLADE
19	PB32M	HEX BOLT M10-1.5 X 25
20	PLW06M	LOCK WASHER 10MM
21	P0595021	LOCK CAP
22	P0595022	BLADE SUPPORT
23	PFH48M	FLAT HD SCR M8-1.25 X 18
24	PTLW07M	EXT TOOTH WASHER 8MM
25	PFH36M	FLAT HD SCR M8-1.25 X 35
26	P0595026	CONNECTION PLATE
27	P0595027	BLADE ACCESS LIMIT SWITCH
28	PS05M	PHLP HD SCR M5-.8 X 8
29	P0595029	BLADE SUPPORT HUB

REF	PART #	DESCRIPTION
30	P0595030	MOTOR
31	PS14M	PHLP HD SCR M6-1 X 12
32	P0595032	MOTOR GUARD
33	P0595033	CORD WRAP
34	P0595034	CORD & PLUG
35	G8989	TOGGLE SAFETY SWITCH W/KEY
36	P0595036	CIRCUIT BREAKER
37	P0595037	WIRE CLAMP
38	P0595038	CAPACITOR 100MFD 220/265V 1-3/8OD X 3-1/8L
39	PW01M	FLAT WASHER 8MM
40	PN01M	HEX NUT M6-1
41	P0595041	STAND
42	P0595042	WHEEL COVER
43	P0595043	WHEEL
44	P0595044	COTTER PIN 2 X 20
45	P0595045	AXLE
46	P0595046	AXLE PIPE
47	PLW04M	LOCK WASHER 8MM
48	PFH11M	FLAT HD SCR M8-1.25 X 15
49	PFH42M	FLAT HD SCR M8-1.25 X 40
50	P0595050	CAPACITOR 35 MFD 450V 2OD X 3-3/4L
51	P0595051	G0595 ID LABEL
52	P0595052	OUTLET WARNING LABEL
53	P0595053	COVER WARNING LABEL
54	PLABEL-12	READ MANUAL 2" X 3 5/16"
55	PLABEL-11	SAFETY GLASSES 2" X 3 5/16"
56	PLABEL-15	EAR PROTECTION 2"X3 5/16"H
57	PLABEL-14	ELECTRICITY LABEL
58	P0595058	HOPPER WARNING LABEL

WARNING

Safety labels warn about machine hazards and ways to prevent injury. The owner of this machine **MUST** maintain the original location and readability of the labels on the machine. If any label is removed or becomes unreadable, **REPLACE** that label before using the machine again. Contact Grizzly at (800) 523-4777 or www.grizzly.com to order new labels.

