

READ THIS FIRST

Grizzly
Industrial, Inc.®

For questions or help with this product contact Tech Support at (570) 546-9663 or techsupport@grizzly.com

Model G0592

*****IMPORTANT UPDATE*****

For Machines Mfd. Since 09/24
and Owner's Manual Revised 12/22

The following changes were recently made since the owner's manual was printed:

- Coolant pump changed.

Aside from this information, all other content in the owner's manual applies and **MUST** be read and understood for your own safety. **IMPORTANT: Keep this update with the owner's manual for future reference.**

For questions or help, contact our Tech Support at (570) 546-9663 or techsupport@grizzly.com.

New Coolant Pump



Old Coolant Pump



COPYRIGHT © AUGUST, 2024 BY GRIZZLY INDUSTRIAL, INC.
**WARNING: NO PORTION OF THIS MANUAL MAY BE REPRODUCED IN ANY SHAPE
OR FORM WITHOUT THE WRITTEN APPROVAL OF GRIZZLY INDUSTRIAL, INC.**
#CS23321 PRINTED IN TAIWAN

Revised Specifications

Electrical:

Full-Load Current Rating..... 15.23A

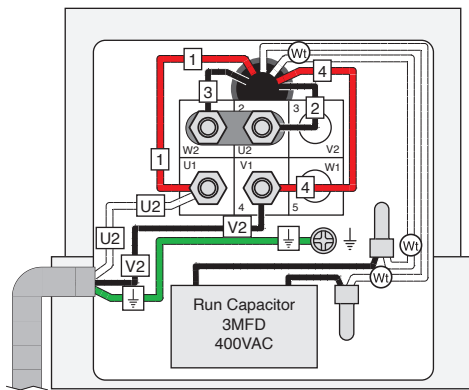
Motors:

Coolant Pump

Horsepower..... 1/8 HP
 Phase..... Single-Phase
 Amps..... 0.23A
 Type..... Sealed Induction
 Power Transfer..... Direct
 Bearings..... Shielded & Permanently Lubricated

Revised Coolant Pump Wiring

COOLANT PUMP MOTOR 220V

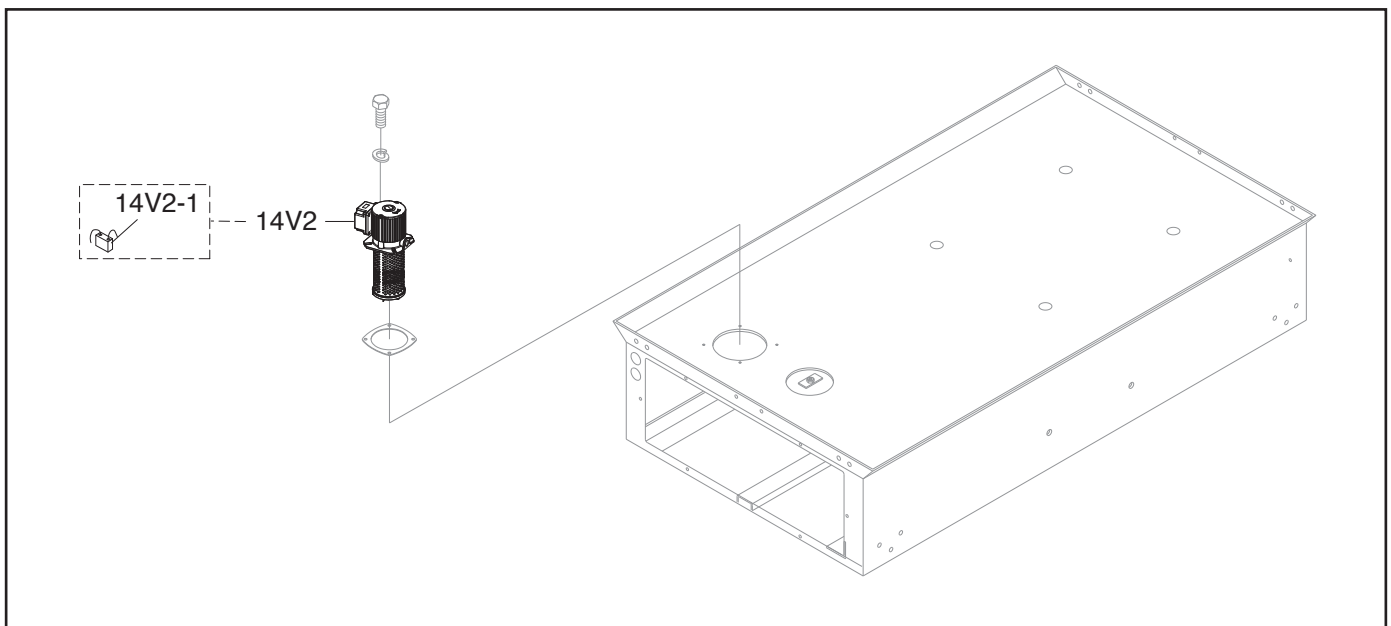


To Electrical Box



Figure 1. Pump motor wiring.

Revised Parts



REF	PART #	DESCRIPTION
14V2	P0592014V2	COOLANT PUMP 1/8HP 220V 1PH V2.09.24

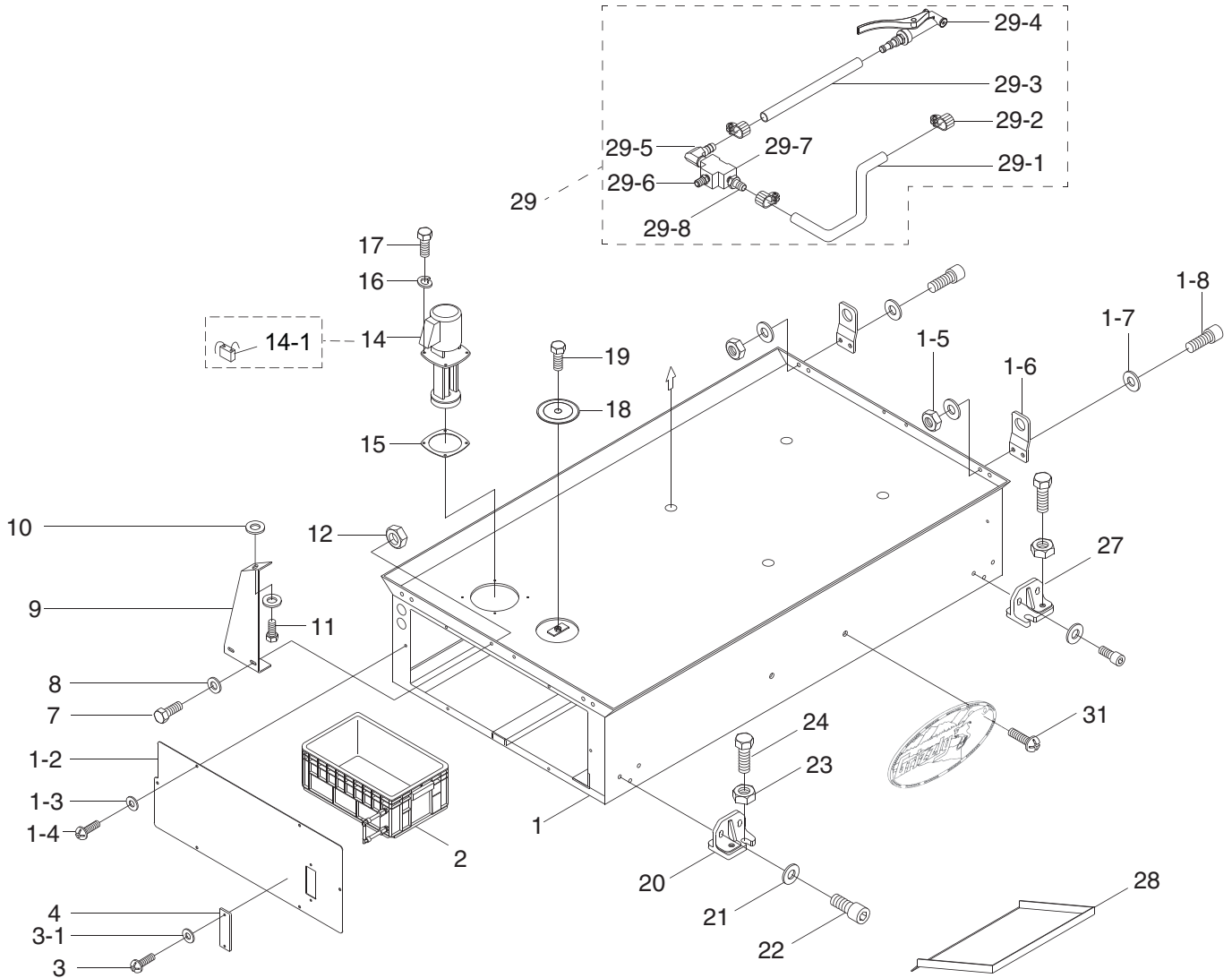
REF	PART #	DESCRIPTION
14V2-1	P0592014V2-1	R CAPACITOR 3M 400V



SECTION 9: PARTS

We do our best to stock replacement parts when possible, but we cannot guarantee that all parts shown are available for purchase. Call (800) 523-4777 or visit www.grizzly.com/parts to check for availability.

Base



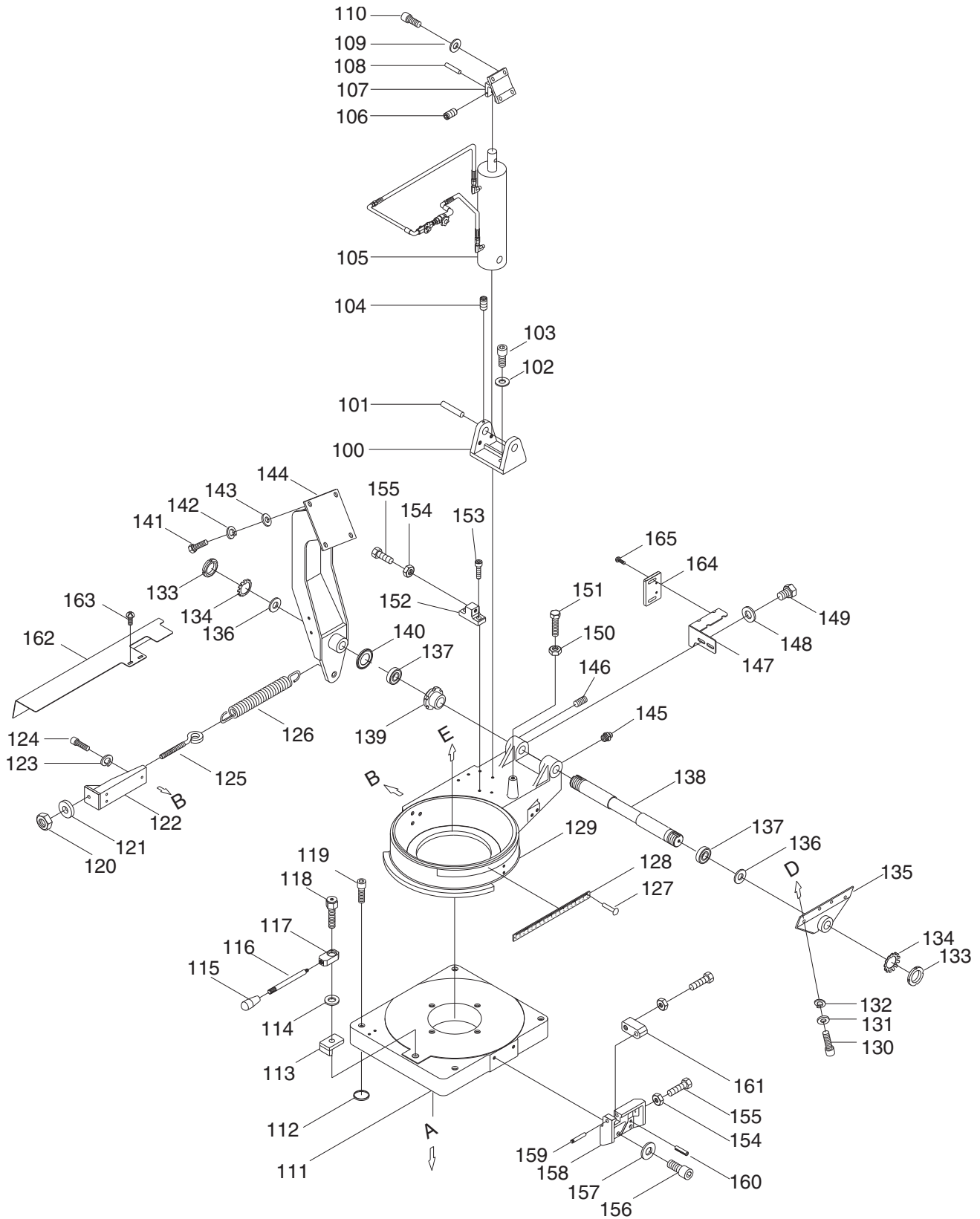
Base Parts List

REF	PART #	DESCRIPTION
1	P0592001	STAND
1-2	P0592001-2	STAND COVER
1-3	P0592001-3	FLAT WASHER 6MM
1-4	P0592001-4	PHLP HD SCR M6-1 X 10
1-5	P0592001-5	HEX NUT M8-1.25
1-6	P0592001-6	HANGER PLATE
1-7	P0592001-7	FENDER WASHER 18MM
1-8	P0592001-8	CAP SCREW M8-1.25 X 25
2	P0592002	COOLANT RESERVOIR
3	P0592003	PHLP HD SCR M5-.8 X 10
3-1	P0592003-1	FLAT WASHER 5MM
4	P0592004	ACRYLIC PLATE
7	P0592007	HEX BOLT M6-1 X 15
8	P0592008	FLAT WASHER 6MM
9	P0592009	FIXED PLATE
10	P0592010	FLAT WASHER 8MM
11	P0592011	HEX BOLT M8-1.25 X 20
12	P0592012	HEX NUT M8-1.25
14	P0592014	COOLANT PUMP 1/8HP 220V 1PH
14-1	P0592014-1	R CAPACITOR 3M 400V
15	P0592015	RUBBER GASKET

REF	PART #	DESCRIPTION
16	P0592016	LOCK WASHER 6MM
17	P0592017	HEX BOLT M6-1 X 15
18	P0592018	FILTER SCREEN
19	P0592019	HEX BOLT M6-1 X 10
20	P0592020	LOCATING FOOT LEFT
21	P0592021	FLAT WASHER 8MM
22	P0592022	CAP SCREW M8-1.25 X 20
23	P0592023	HEX NUT M12-1.75
24	P0592024	HEX BOLT M12-1.75 X 50
27	P0592027	LOCATING FOOT RIGHT
28	P0592028	SPLASH GUARD
29	P0592029	SPRAY ASSEMBLY
29-1	P0592029-1	HOSE
29-2	P0592029-2	HOSE CLAMP
29-3	P0592029-3	HOSE
29-4	P0592029-4	SPRAY GUN
29-5	P0592029-5	MICRO CONTROL BLOCK
29-6	P0592029-6	STRAIGHT CONNECTOR
29-7	P0592029-7	CONNECTOR 3-WAY
29-8	P0592029-8	STRAIGHT CONNECTOR
31	P0592031	PHLP HD SCR M5-.8 X 12



Swivel Base



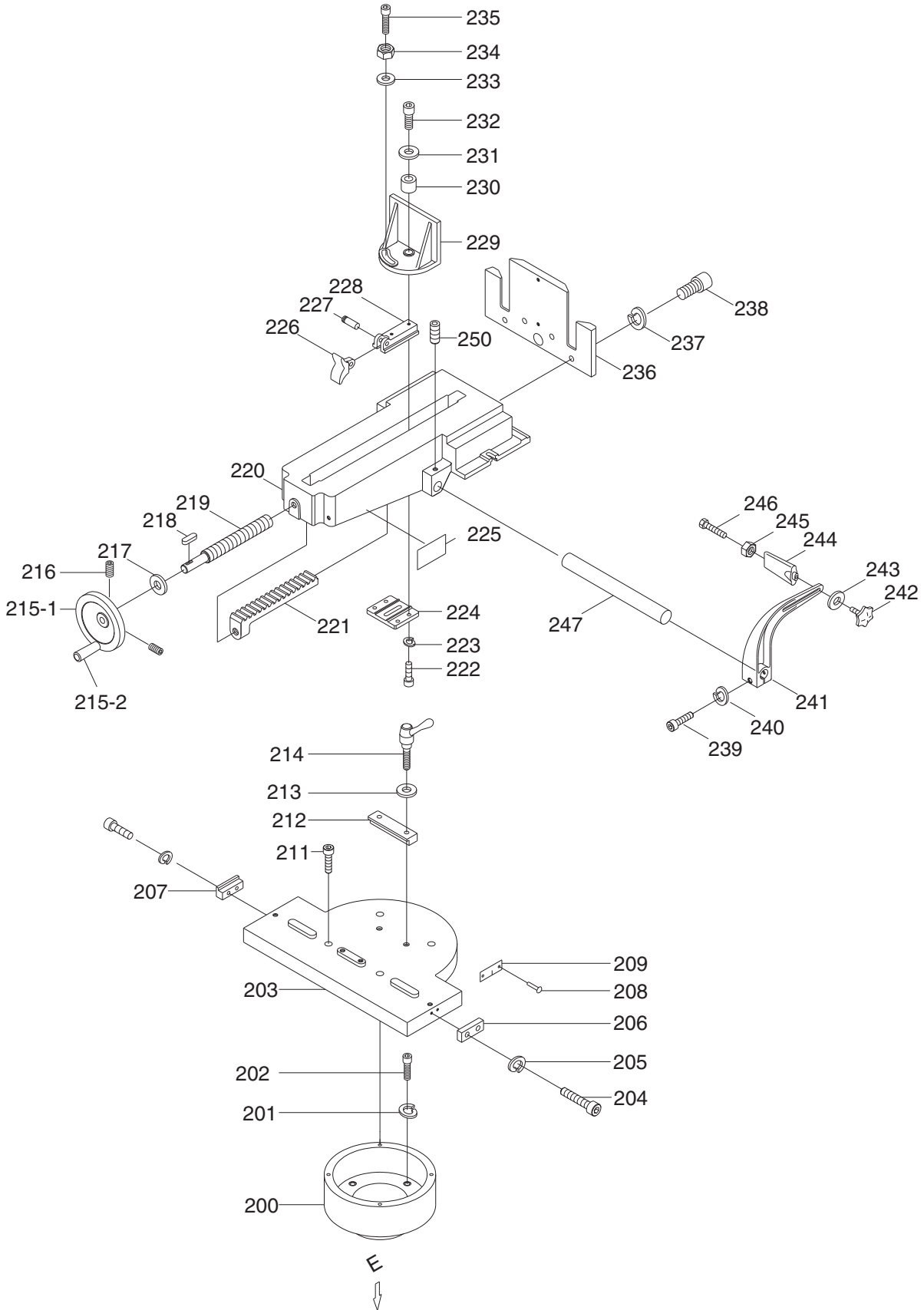
Swivel Base Parts List

REF	PART #	DESCRIPTION
100	P0592100	CYLINDER LOWER SUPPORT
101	P0592101	PIVOT PIN
102	P0592102	LOCK WASHER 8MM
103	P0592103	HEX BOLT M8-1.25 X 20
104	P0592104	SET SCREW M6-1 X 10
105	P0592105	CYLINDER ASSY
106	P0592106	SET SCREW M6-1 X 10
107	P0592107	CYLINDER UPPER SUPPORT
108	P0592108	PIVOT PIN
109	P0592109	FLAT WASHER 8MM
110	P0592110	CAP SCREW M8-1.25 X 20
111	P0592111	SWIVEL ARM BASE
112	P0592112	O-RING 11.8 X 2.4 P12
113	P0592113	SWIVEL ARM BRACKET
114	P0592114	FLAT WASHER 12MM
115	P0592115	HANDLE
116	P0592116	SCREW ROD
117	P0592117	HUB
118	P0592118	PIVOT BOLT
119	P0592119	CAP SCREW M10-1.5 X 35
120	P0592120	HEX NUT M12-1.75
121	P0592121	FLAT WASHER 12MM
122	P0592122	FEED SUPPORT
123	P0592123	LOCK WASHER 8MM
124	P0592124	CAP SCREW M8-1.25 X 25
125	P0592125	EYE BOLT
126	P0592126	EXTENSION SPRING
127	P0592127	RIVET 2 X 5MM NAMEPLATE, STEEL
128	P0592128	DEGREE SCALE
129	P0592129	SWIVEL BASE UPPER
130	P0592130	CAP SCREW M10-1.5 X 25
131	P0592131	FLAT WASHER 10MM
132	P0592132	LOCK WASHER 10MM

REF	PART #	DESCRIPTION
133	P0592133	SPANNER NUT
134	P0592134	EXT TOOTH WASHER
135	P0592135	BRACKET
136	P0592136	GAP RING
137	P0592137	TAPER ROLLER BEARING 32007
138	P0592138	PIVOT SHAFT
139	P0592139	RING
140	P0592140	CHIP COVER
141	P0592141	HEX BOLT M10-1.5 X 30
142	P0592142	LOCK WASHER 10MM
143	P0592143	FLAT WASHER 10MM
144	P0592144	PIVOT BRACKET REAR
145	P0592145	GREASE FITTING
146	P0592146	SET SCREW M6-1 X 10
147	P0592147	SWITCH BRACKET
148	P0592148	FLAT WASHER 8MM
149	P0592149	HEX BOLT M8-1.25 X 10
150	P0592150	HEX NUT M12-1.75
151	P0592151	HEX BOLT M12-1.75 X 50
152	P0592152	ANGLE MARGIN
153	P0592153	CAP SCREW M8-1.25 X 20
154	P0592154	HEX NUT M10-1.5
155	P0592155	HEX BOLT M10-1.5 X 40
156	P0592156	CAP SCREW M8-1.25 X 25
157	P0592157	FLAT WASHER 8MM
158	P0592158	ANGLE POSITION
159	P0592159	BEARING PIN
160	P0592160	ROLL PIN 5 X 20
161	P0592161	LOCATING BLOCK
162	P0592162	SPRING COVER
163	P0592163	PHLP HD SCR M6-1 X 6
164	P0592164	SWITCH ADJUSTING BRACKET
165	P0592165	HEX BOLT M5-.8 x 10



Vise



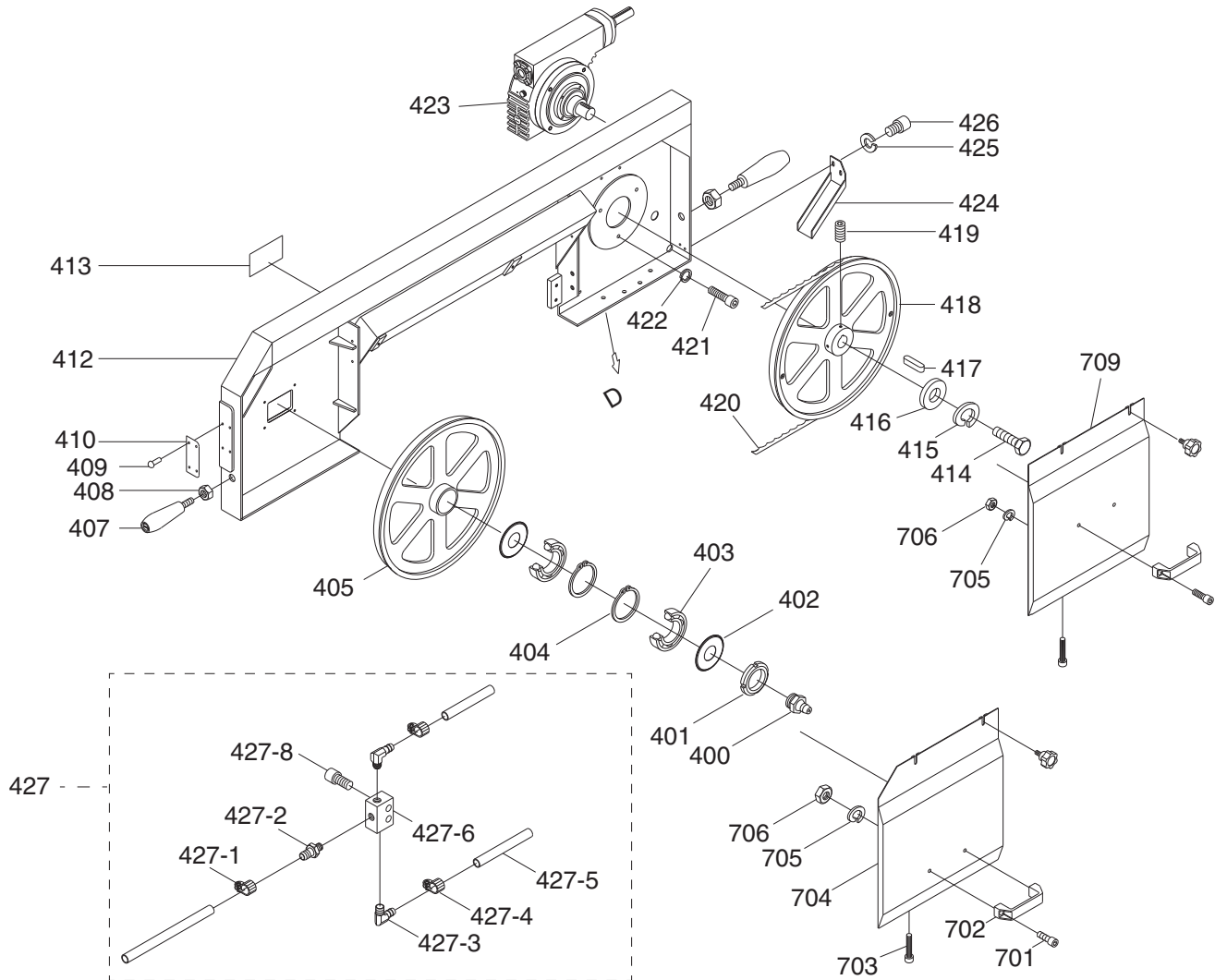
Vise Parts List

REF	PART #	DESCRIPTION
200	P0592200	FIXED SHAFT
201	P0592201	LOCK WASHER 10MM
202	P0592202	CAP SCREW M10-1.5 X 35
203	P0592203	SLIDE BASE
204	P0592204	CAP SCREW M6-1 X 20
205	P0592205	LOCK WASHER 6MM
206	P0592206	LIMIT BLOCK 2-WAY
207	P0592207	LIMIT BLOCK 2-WAY
208	P0592208	RIVET 2 X 5
209	P0592209	SCALE
211	P0592211	CAP SCREW M10-1.5 X 30
212	P0592212	FIXED BLOCK
213	P0592213	BUSHING
214	P0592214	KNOB M10-1.5 X 40
215-1	P0592215-1	HANDWHEEL
215-2	P0592215-2	HANDWHEEL HANDLE
216	P0592216	SET SCREW M6-1 X 10
217	P0592217	FLAT WASHER 13MM
218	P0592218	KEY 5 X 5 X 15
219	P0592219	LEADSCREW
220	P0592220	VICE BASE
221	P0592221	RACK
222	P0592222	CAP SCREW M8-1.25 X 25
223	P0592223	LOCK WASHER 8MM
224	P0592224	RACK SUPPORT

REF	PART #	DESCRIPTION
225	P0592225	NAME PLATE
226	P0592226	RACK HOOK
227	P0592227	SOLID PIN
228	P0592228	BRACKET
229	P0592229	VICE JAW FRONT
230	P0592230	BUSHING
231	P0592231	FLAT WASHER 10MM
232	P0592232	CAP SCREW M10-1.5 X 35
233	P0592233	FLAT WASHER 10MM
234	P0592234	HEX NUT M10-1.5
235	P0592235	CAP SCREW M10-1.5 X 40
236	P0592236	VICE JAW BRACKET REAR
237	P0592237	LOCK WASHER 12MM
238	P0592238	CAP SCREW M12-1.75 X 45
239	P0592239	CAP SCREW M8-1.25 X 45
240	P0592240	LOCK WASHER 8MM
241	P0592241	STOP BLOCK SUPPORT
242	P0592242	WORK STOP KNOB
243	P0592243	FLAT WASHER 6MM
244	P0592244	WORK STOP
245	P0592245	HEX NUT M10-1.5
246	P0592246	HEX BOLT M10-1.5 X 30
247	P0592247	DISTANCE SET ROD
250	P0592250	SET SCREW M8-1.25 X 20



Headstock

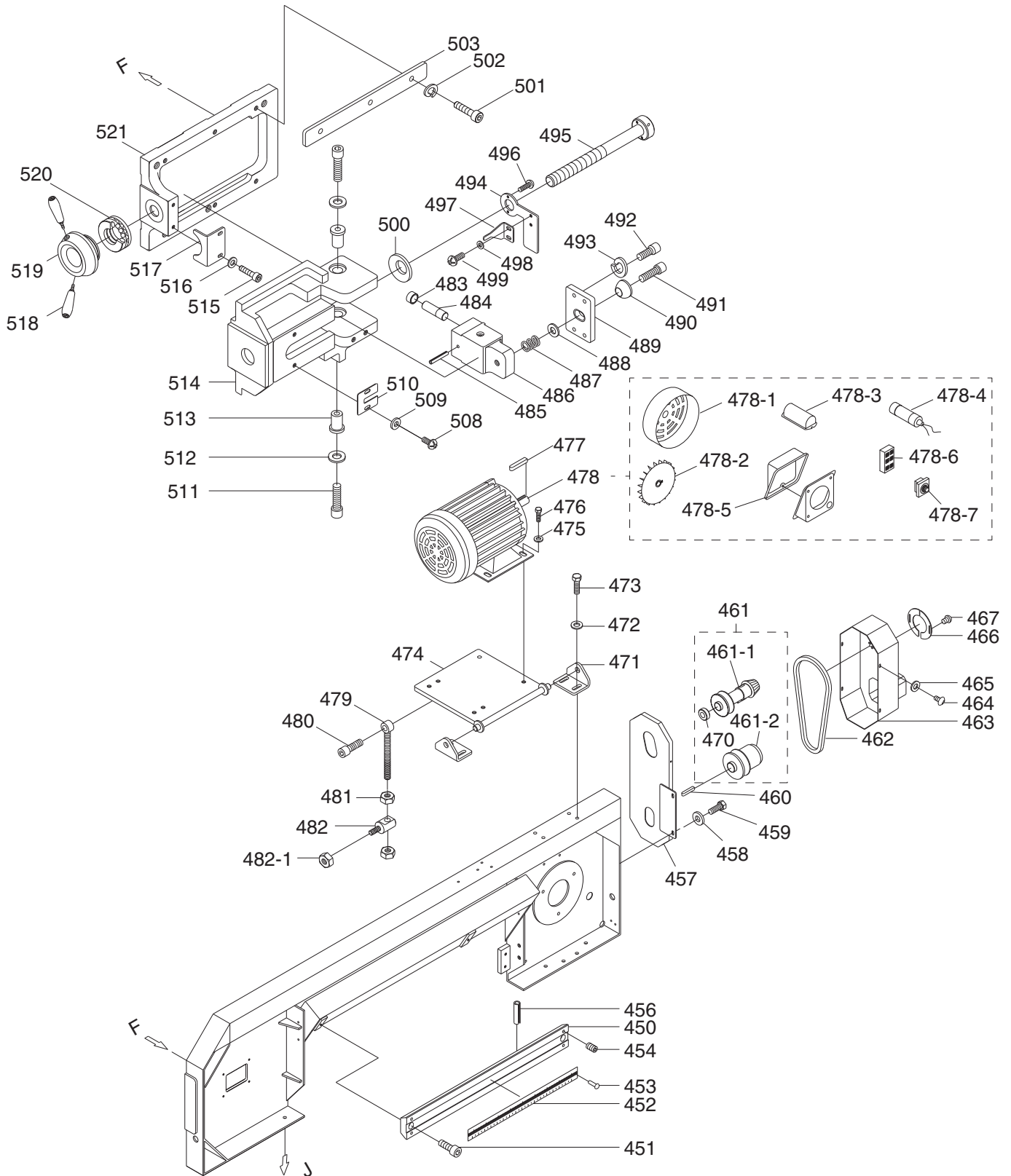


REF	PART #	DESCRIPTION
400	P0592400	GREASE FITTING
401	P0592401	SPANNER NUT
402	P0592402	COVER
403	P0592403	TAPERED ROLLER BEARING 30205
404	P0592404	INT RETAINING RING 52MM
405	P0592405	IDLER WHEEL
407	P0592407	HANDLE
408	P0592408	HEX NUT 3/8-16
409	P0592409	RIVET 2 X 5
410	P0592410	LOOSEN TIGHTEN LABEL
412	P0592412	HEADSTOCK FRAME
413	P0592413	TENSION GAUGE PLATE
414	P0592414	HEX BOLT M10-1.5 X 25
415	P0592415	LOCK WASHER 10MM
416	P0592416	FLAT WASHER 10MM
417	P0592417	KEY 7 X 7 X 29
418	P0592418	DRIVE WHEEL
419	P0592419	SET SCREW M8-1.25 X 6
420	P0592420	BLADE 132 X 1 X .032" 6/10TPI
421	P0592421	CAP SCREW M10-1.5 X 20

REF	PART #	DESCRIPTION
422	P0592422	LOCK WASHER 10MM
423	P0592423	GEAR BOX ASSY
424	P0592424	SPLASH BOARD
425	P0592425	FLAT WASHER 6MM
426	P0592426	CAP SCREW M6-1 X 10
427	P0592427	VALVE ASSY 3-WAY
427-1	P0592427-1	HOSE CLAMP
427-2	P0592427-2	STRAIGHT CONNECTOR
427-3	P0592427-3	MICRO CONTROL BLOCK
427-4	P0592427-4	HOSE CLAMP
427-5	P0592427-5	NET TUBE
427-6	P0592427-6	VALVE 3-WAY
427-8	P0592427-8	CAP SCREW M6-1 X 30
701	P0592701	CAP SCREW M8-1.25 X 15
702	P0592702	HANDLE
703	P0592703	CAP SCREW M6-1 X 10
704	P0592704	BLADE BACK COVER
705	P0592705	LOCK WASHER 8MM
706	P0592706	HEX NUT M8-1.25
709	P0592709	BLADE BACK COVER



Blade Tension & Motor



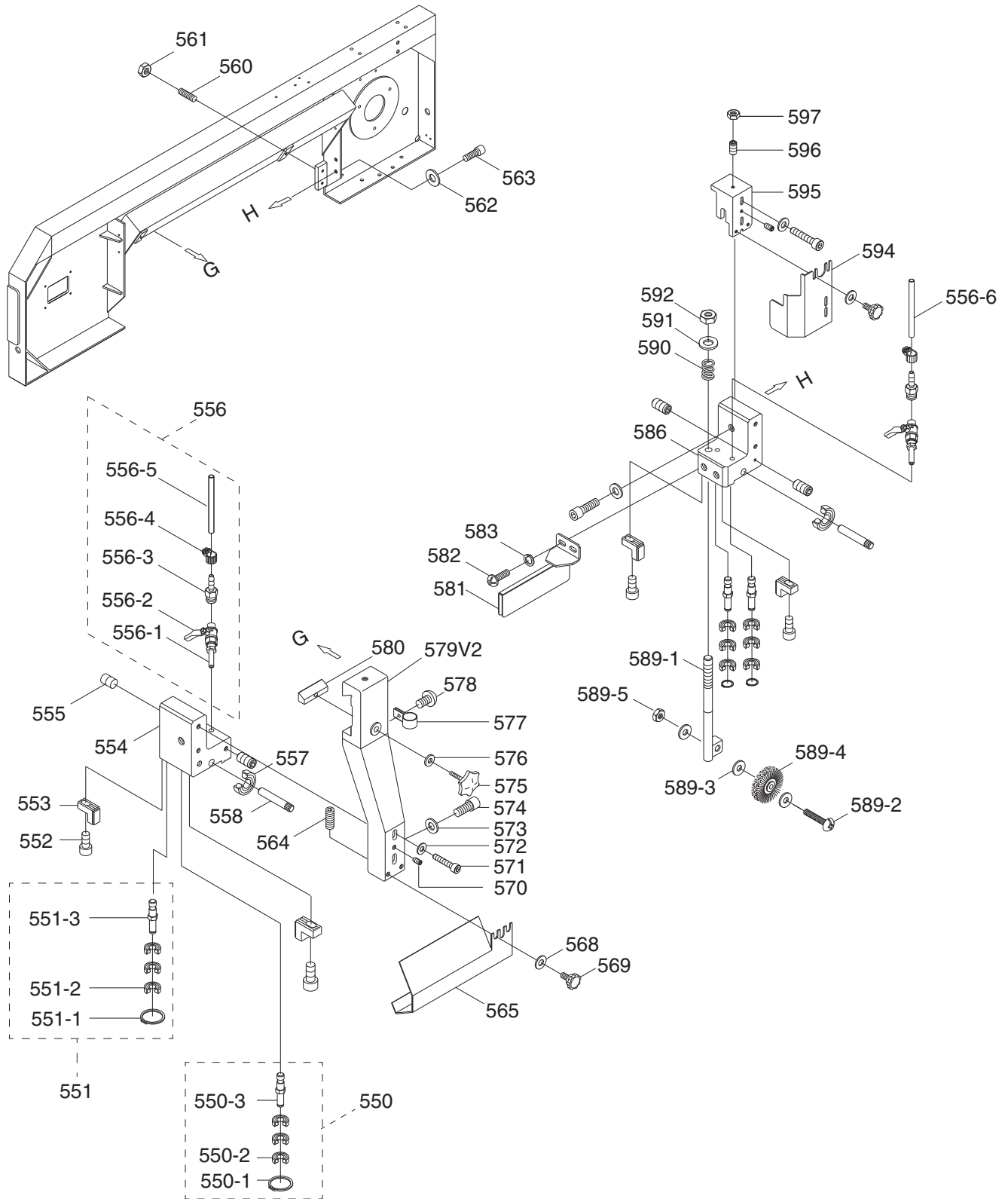
Blade Tension & Motor Parts List

REF	PART #	DESCRIPTION
450	P0592450	COLUMN
451	P0592451	CAP SCREW M12-1.75 X 20
452	P0592452	SCALE
453	P0592453	RIVET 2 X 5MM NAMEPLATE, STEEL
454	P0592454	SET SCREW M8-1.25 X 20
456	P0592456	ROLL PIN 6 X 30
457	P0592457	PULLEY LOWER COVER
458	P0592458	FLAT WASHER 6MM
459	P0592459	HEX BOLT M6-1 X 10
460	P0592460	KEY 7 X 7 X 29
461	P0592461	VARIABLE SPEED PULLEY ASSY
461-1	P0592461-1	VARIABLE SPEED PULLEY
461-2	P0592461-2	SPINDLE PULLEY
462	P0592462	COGGED V-BELT 1422V-360
463	P0592463	MOTOR PULLEY COVER
464	P0592464	PHLP HD SCR M5-.8 X 10
465	P0592465	FLAT WASHER 5MM
466	P0592466	COVER
467	P0592467	PHLP HD SCR M5-.8 X 6
470	P0592470	WASHER RING
471	P0592471	MOTOR BRACKET
472	P0592472	FLAT WASHER 6MM
473	P0592473	HEX BOLT M6-1 X 20
474	P0592474	MOTOR PLATE
475	P0592475	FLAT WASHER 8MM
476	P0592476	HEX BOLT M8-1.25 X 15
477	P0592477	KEY 7 X 7 X 35
478	P0592478	MOTOR 2HP 220V 1-PH
478-1	P0592478-1	MOTOR COVER
478-2	P0592478-2	MOTOR FAN
478-3	P0592478-3	CAPACITOR COVER
478-4	P0592478-4	S CAPACITOR 800M 125V 1-3/4 X 3-3/8
478-5	P0592478-5	JUNCTION BOX
478-6	P0592478-6	MOTOR TERMINAL BLOCK 6P
478-7	P0592478-7	CIRCUIT BREAKER 15A KUOYUH 88
479	P0592479	SHAFT
480	P0592480	CAP SCREW M10-1.5 X 60
481	P0592481	HEX NUT M12-1.75

REF	PART #	DESCRIPTION
482	P0592482	SHAFT
482-1	P0592482-1	HEX NUT M10-1.5
483	P0592483	BUSHING
484	P0592484	SHAFT
485	P0592485	ROLL PIN 6 X 30
486	P0592486	BLADE ANGLE ADJUSTING BRACKET
487	P0592487	COMPRESSION SPRING
488	P0592488	FLAT WASHER 10MM
489	P0592489	PLATE
490	P0592490	BEVEL BUSHING
491	P0592491	CAP SCREW M10-1.5 X 65
492	P0592492	CAP SCREW M6-1 X 30
493	P0592493	LOCK WASHER 6MM
494	P0592494	PLATE
495	P0592495	LEADSCREW
496	P0592496	PHLP HD SCR M4-.7 X 20
497	P0592497	SCALE
498	P0592498	FLAT WASHER 4MM
499	P0592499	PHLP HD SCR M4-.7 X 10
500	P0592500	DISC SPRING
501	P0592501	CAP SCREW M8-1.25 X 40
502	P0592502	LOCK WASHER 8MM
503	P0592503	GIB
508	P0592508	PHLP HD SCR M5-.8 X 8
509	P0592509	FLAT WASHER 5MM
510	P0592510	TENSION PLATE
511	P0592511	CAP SCREW M6-1 X 25
512	P0592512	FLAT WASHER 6MM
513	P0592513	SHAFT BUSHING
514	P0592514	BLADE TENSION SLIDING PLATE
515	P0592515	PHLP HD SCR M5-.8 X 10
516	P0592516	FLAT WASHER 5MM
517	P0592517	BRACKET
518	P0592518	HANDLE
519	P0592519	HANDLE BODY
520	P0592520	THRUST BEARING 51204
521	P0592521	ANCHOR BLOCK



Blade Guides



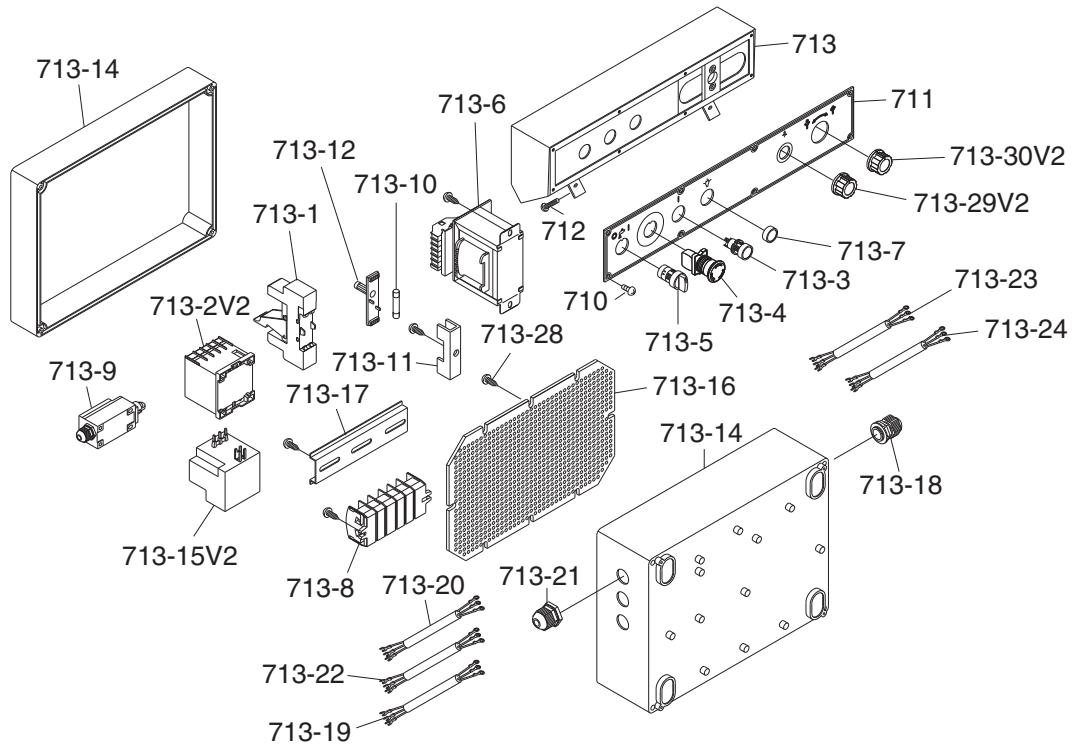
Blade Guides Parts List

REF	PART #	DESCRIPTION
550	P0592550	BEARING SHAFT ASSY
550-1	P0592550-1	EXT RETAINING RING 25MM
550-2	P0592550-2	BALL BEARING 609ZZ
550-3	P0592550-3	BEARING SHAFT
551	P0592551	ECCENTRIC SHAFT ASSY
551-1	P0592551-1	INT RETAINING RING 10MM
551-2	P0592551-2	BALL BEARING 609ZZ
551-3	P0592551-3	ECCENTRIC SHAFT
552	P0592552	CAP SCREW M6-1 X 20
553	P0592553	CARBIDE GUIDE
554	P0592554	BEARING BRACKET LEFT
555	P0592555	SET SCREW M5-.8 X 10
556	P0592556	VALVE ASSY
556-1	P0592556-1	COPPER TUBE
556-2	P0592556-2	VALVE
556-3	P0592556-3	STRAIGHT CONNECTOR
556-4	P0592556-4	HOSE CLAMP
556-5	P0592556-5	NET TUBE 1/4 X 143CM
556-6	P0592556-6	NET TUBE 1/4 X 63CM
557	P0592557	BALL BEARING 609ZZ
558	P0592558	BEARING PIN
560	P0592560	SET SCREW M8-1.25 X 30
561	P0592561	HEX NUT M8-1.25
562	P0592562	FLAT WASHER 8MM
563	P0592563	CAP SCREW M8-1.25 X 20
564	P0592564	SET SCREW M6-1 X 30
565	P0592565	BLADE GUARD FRONT
568	P0592568	FLAT WASHER 6MM

REF	PART #	DESCRIPTION
569	P0592569	KNOB M6-1 X 10
570	P0592570	SET SCREW M6-1 X 10
571	P0592571	CAP SCREW M8-1.25 X 25
572	P0592572	FLAT WASHER 8MM
573	P0592573	FLAT WASHER 10MM
574	P0592574	CAP SCREW M10-1.5 X 40
575	P0592575	BLADE ADJUSTABLE KNOB
576	P0592576	FLAT WASHER 10MM
577	P0592577	HOSE CLAMP
578	P0592578	PHLP HD SCR M5-.8 X 10
579V2	P0592579V2	ARM LEFT BEIGE V2.01.09
580	P0592580	GIB
581	P0592581	BLADE GUARD REAR
582	P0592582	PHLP HD SCR M5-.8 X 10
583	P0592583	FLAT WASHER 5MM
586	P0592586	BLADE ADJUSTER REAR
589-1	P0592589-1	BRUSH SHAFT
589-2	P0592589-2	PHLP HD SCR M6-1 X 40
589-3	P0592589-3	FLAT WASHER 6MM
589-4	P0592589-4	BRUSH
589-5	P0592589-5	HEX NUT M6-1
590	P0592590	COMPRESSION SPRING
591	P0592591	FLAT WASHER 10MM
592	P0592592	HEX NUT M10-1.5
594	P0592594	BLADE GUARD REAR
595	P0592595	ARM RIGHT
596	P0592596	SET SCREW M8-1.25 X 25
597	P0592597	HEX NUT M8-1.25



Electrical



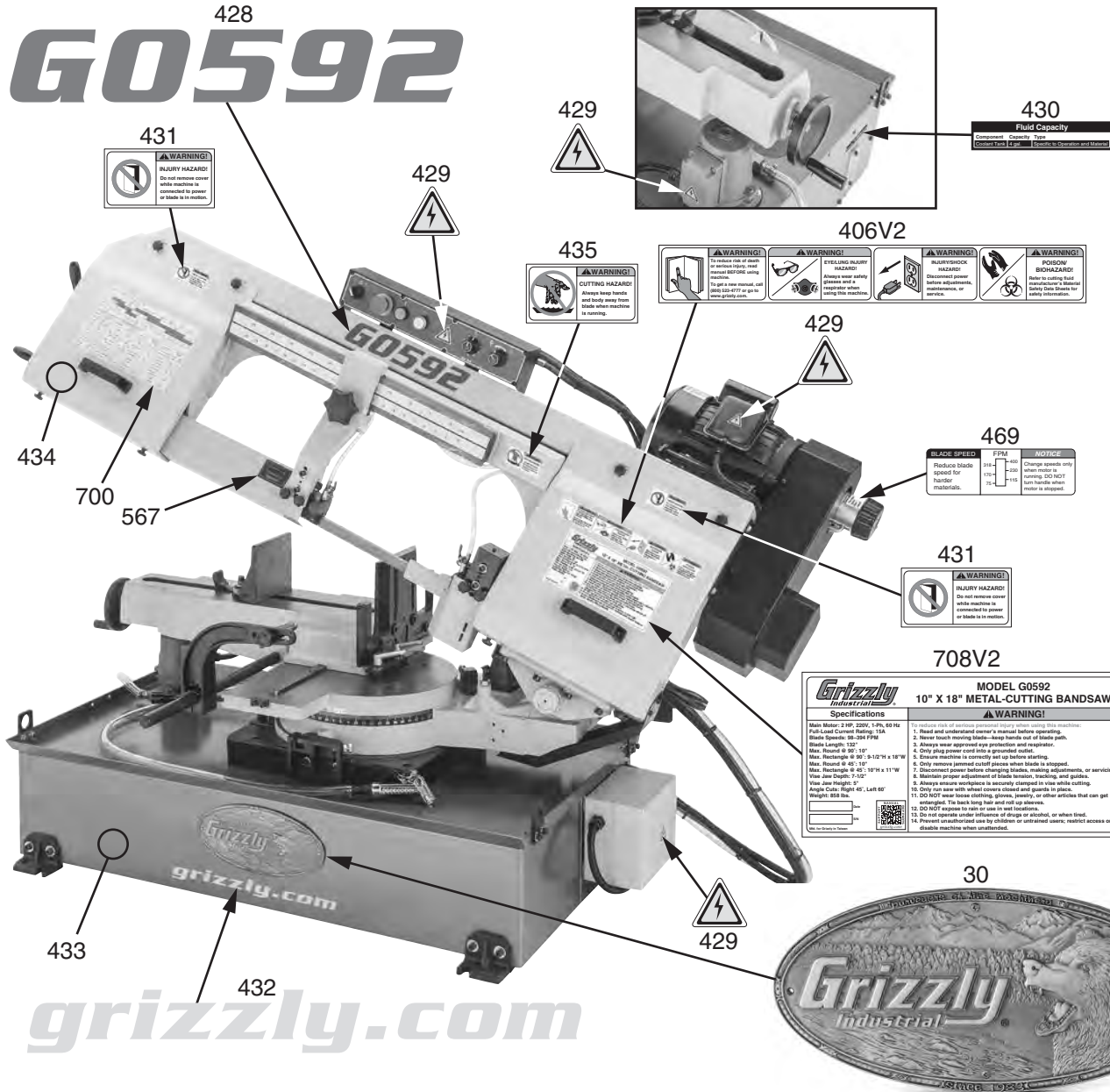
REF	PART #	DESCRIPTION
710	P0592710	PHLP HD SCR M5-.8 X 10
711	P0592711	CONTROL PLATE
712	P0592712	PHLP HD SCR M5-.8 X 12
713	P0592713	CONTROL BOX
713-1	P0592713-1	PUMP RELAY RX78625 12A 300V CE
713-2V2	P0592713-2V2	CONTACTOR TECO CU-18 24V V2.03.14
713-3	P0592713-3	ON BUTTON
713-4	P0592713-4	EMERGENCY STOP/OFF SWITCH
713-5	P0592713-5	PUMP ON/OFF SWITCH
713-6	P0592713-6	TRANSFORMER 63VA 110/220V-24V
713-7	P0592713-7	POWER INDICATOR LIGHT XB7 EV6 250V 22MM
713-8	P0592713-8	TERMINAL BLOCK
713-9	P0592713-9	LIMIT SWITCH
713-10	P0592713-10	FUSE
713-11	P0592713-11	BRACKET

REF	PART #	DESCRIPTION
713-12	P0592713-12	FUSE COVER
713-14	P0592713-14	ENCLOSURE W/COVER
713-15V2	P0592713-15V2	RELAY TECO RHU-10 11.3-16A V2.03.14
713-16	P0592713-16	PANEL
713-17	P0592713-17	BRACKET
713-18	P0592713-18	STRAIN RELIEF M14 TYPE-6 ST
713-19	P0592713-19	PUMP WIRE HARNESS
713-20	P0592713-20	MOTOR WIRE HARNESS
713-21	P0592713-21	STRAIN RELIEF
713-22	P0592713-22	CONTROL PANEL WIRE HARNESS
713-23	P0592713-23	LIMIT SWITCH WIRE HARNESS
713-24	P0592713-24	POWER WIRE HARNESS
713-28	P0592713-28	PHLP HD SCR M5-.8 X 12
713-29V2	P0592713-29V2	FEED RATE DIAL V2.12.08
713-30V2	P0592713-30V2	FEED/SPEED CONTROL DIAL V2.12.08



Labels & Cosmetics

G0592



REF	PART #	DESCRIPTION
30	P0592030	GRIZZLY NAMEPLATE-LARGE
406V2	P0592406V2	COMBO WARNING LABEL V2.01.23
428	P0592428	MODEL NUMBER LABEL
429	P0592429	ELECTRICITY LABEL
430	P0592430	FLUID CAPACITY LABEL
431	P0592431	DO NOT REMOVE COVER LABEL
432	P0592432	GRIZZLY.COM LABEL

REF	PART #	DESCRIPTION
433	P0592433	TOUCH-UP PAINT, GRIZZLY GREEN
434	P0592434	TOUCH-UP PAINT, GRIZZLY BEIGE
435	P0592435	CUTTING HAZARD LABEL
469	P0592469	SPEED LABEL
567	P0592567	UPPER BLADE GUARD LABEL
700	P0592700	TOOTH SELECTION LABEL
708V2	P0592708V2	MACHINE ID LABEL V2.01.23

⚠ WARNING

Safety labels help reduce the risk of serious injury caused by machine hazards. If any label comes off or becomes unreadable, the owner of this machine **MUST** replace it in the original location before resuming operations. For replacements, contact (800) 523-4777 or www.grizzly.com.

