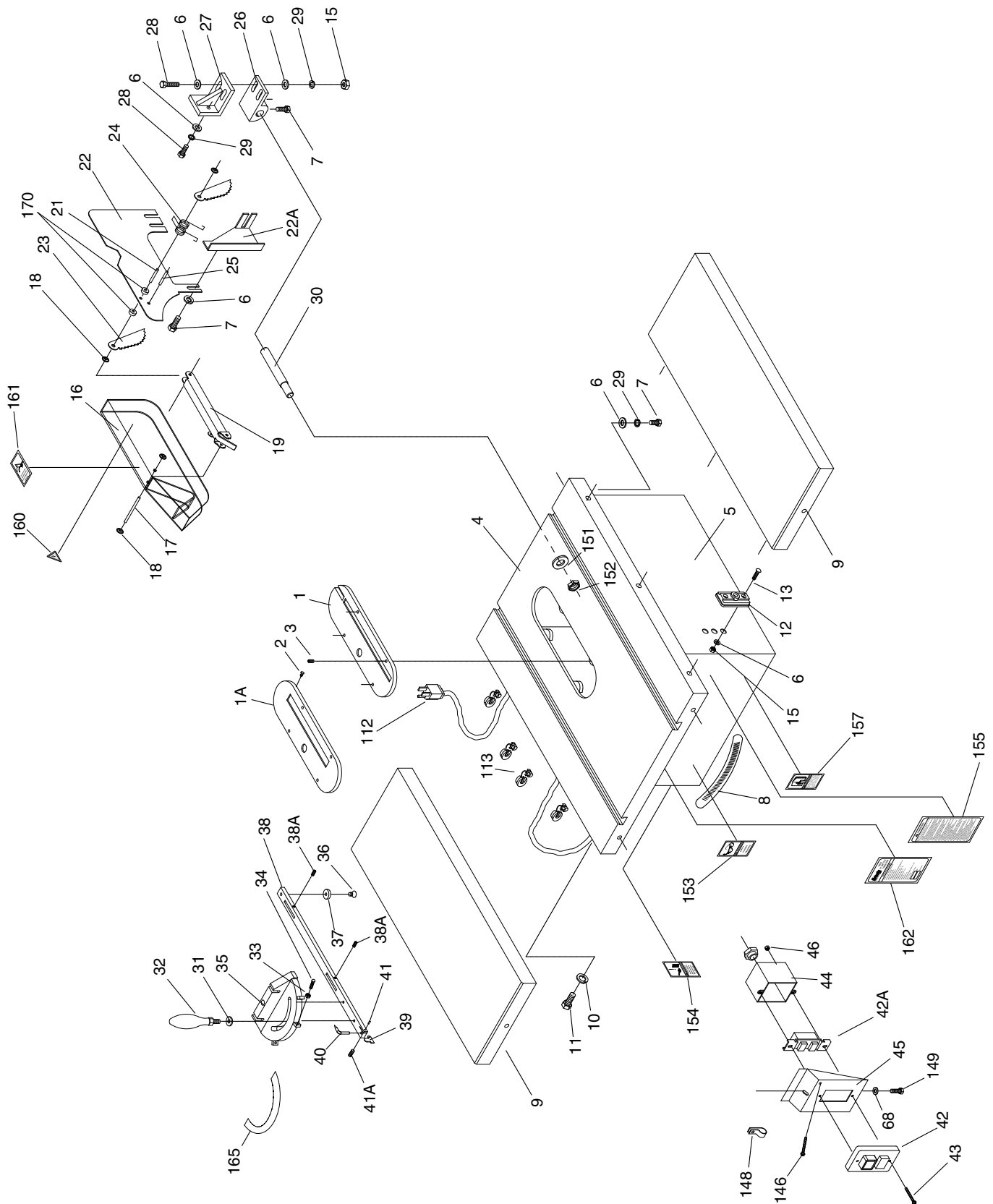
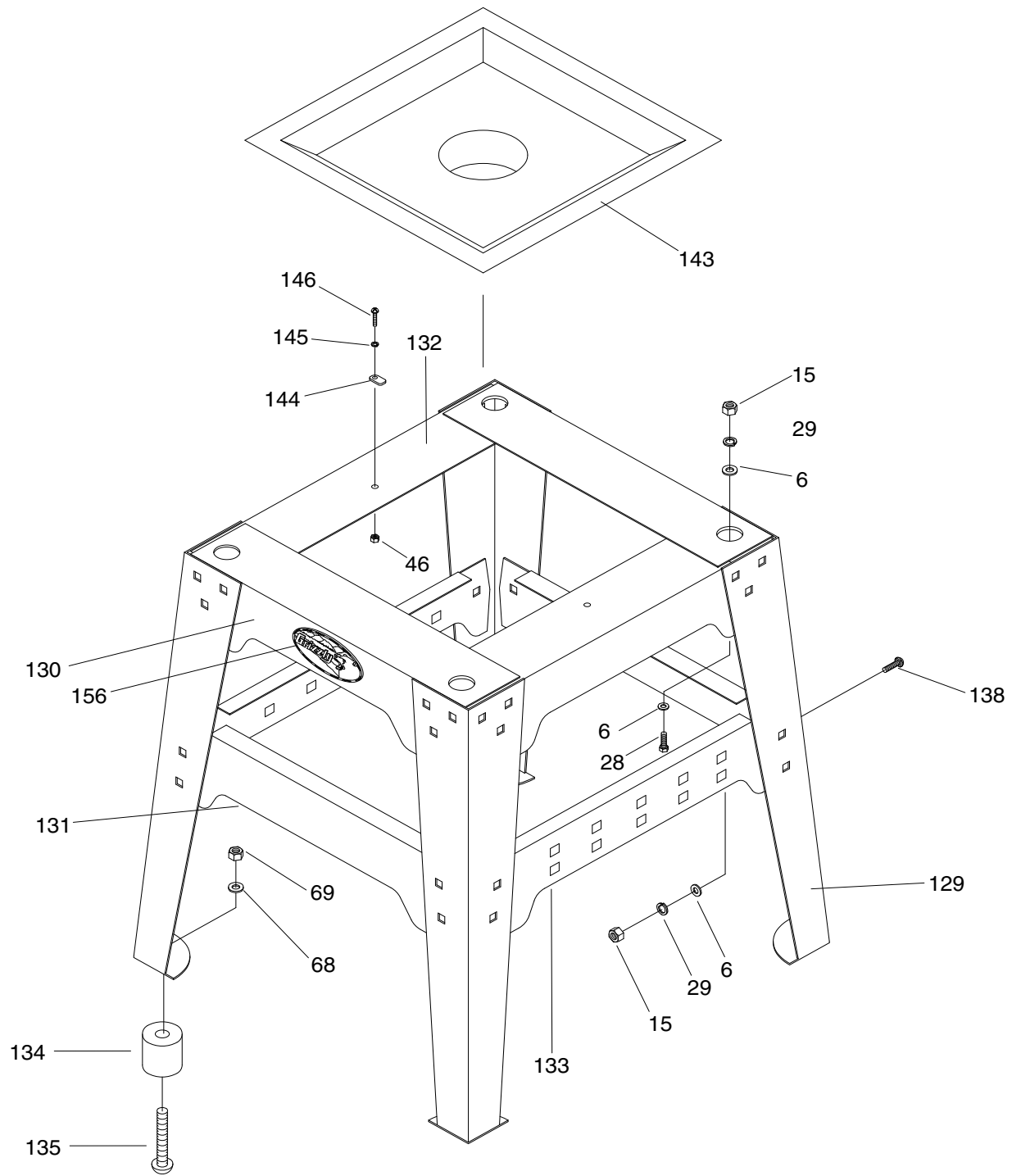


# G0575 and G0576 Parts Breakdown







REF	PART #	DESCRIPTION
1	P0575001	TABLE INSERT
1A	P0575001A	DADO INSERT
2	P0575002	BUMPER
3	PSS04	SET SCREW 1/4-20 X 5/16"
4	P0575004	TABLE
5	P0575005	CABINET
6	PW07	FLAT WASHER 5/16"
7	PB32	HEX BOLT 5/16-18 X 5/8"
8	P0575008	SCALE
9	P0575009	EXT WING-SHEET METAL
9	P0576009	EXT WING-CAST IRON
10	PLW05	LOCK WASHER 7/16"
11	PB90	HEX BOLT 7/16-14 X 1-1/4"
12	P0575012	BEARING BRACKET
13	PS35	PHLP HD SCR 5/16-18 X 3/4"
15	PN02	HEX NUT 5/16-18
16	P0575016	BLADE GUARD
16A	P0575016A	MOUNT BRACKET ASSMBLY
17	PRP68M	PIN 6 X 48
18	P0575018	SPEED NUT
19	P0575019	SUPPORTING ARM
21	PRP08M	PIN 6 X 30
22	P0575022	SPLITTER
22A	P0575022A	BLADE GUARD MOUNT
23	P0575023	ANTI-KICKBACK
24	P0575024	ANTI-KICKBACK SPRING
25	PRP65M	PIN 8 X 20
26	P0575026	BOTTOM BRACKET
27	P0575027	TOP BRACKET
27A	P0575027A	BLADE GUARD ASSEMBLY
28	PB12	HEX BOLT 5/16-18 X 1-1/4"
29	PLW01	LOCK WASHER 5/16"
30	P0575030	GUARD SUPPORT SHAFT
31	PW07	FLAT WASHER 5/16"
32	P0575032	MITER HANDLE
33	PN14	HEX NUT 8-32
34	PS21	PHLP HD SCR 8-32 X 3/4"
35	P0575035	MITER GAUGE BODY

REF	PART #	DESCRIPTION
35A	P0575035A	COMPLETE MITER GAUGE
36	PFH09	FLAT HD SCR 1/4-20 X 5/16"
37	P0575037	SPECIAL WASHER 1/4"
38	P0575038	MITER BAR
38A	PSS31	SET SCREW 10-24 X 5/8"
39	P0575039	STOP LINK
40	P0575040	POINTER
41	PRP14M	ROLL PIN 3 X 6
41A	PSS11	SET SCREW 1/4-20 X 1/4"
42	P0575042	SWITCH COVER
42A	P0575042A	TWO BUTTON SWITCH
43	PS10	PHLP HD SCR 10-24 X 1-1/2"
44	P0575044	SWITCH BOX
45	P0575045	SWITCH PLATE
46	PN07	HEX NUT 10-24
47	P0575047	HANDWHEEL KNOB
48	P0575048	HANDWHEEL
49	P0575049	HANDWHEEL HANDLE
51	PW02	FLAT WASHER 3/8"
52	P0575052	POINTER
54	P0575054	LOCK COLLAR
56	P0575056	TILT SHAFT
57	P0575057	BUSHING
58	P0575058	HEX NUT 9/16-20
59	PRP66M	ROLL PIN 3.5 X 20
60	P0575060	FIBER WASHER
61	P0575061	FRONT BRACKET
62	PB12	HEX BOLT 5/16-18 X 1-1/4"
68	PW06	FLAT WASHER 1/4"
69	PN05	HEX NUT 1/4"
71	P0575071	FRONT TRUNNION
72	PRP49M	ROLL PIN 5 X 25
74	P0575074	WAVE WASHER
75	P0575075	BUSHING
76	P0575076	ELEVATING SHAFT
79	P0575079	SPACER
80	P0575080	ARBOR BRACKET SHAFT
81	P0575081	ARBOR NUT

REF	PART #	DESCRIPTION
82	P0575082	FLANGE
84	P0575084	ARBOR BRACKET
86	P0575086	ARBOR
87	P6203	BALL BEARING 6203ZZ
88	PK23M	KEY 5 X 5 X 25
89	P0575089	LOADING SPRING
90	PR23M	INT RETAINING RING 40MM
91	P0575091	JAM NUT 5/8-24 LH
92	P0575092	ARBOR PULLEY
93	PSS05	SET SCREW 5/16-18 X 1/4"
94	P0575094	REAR TRUNNION
95	P0575095	REAR TRUNNION BRACKET
99	P0575099	MOTOR BRACKET
100	PSS17	SET SCREW 5/16-18 X 5/16"
101	P0575101	MOTOR BRACKET PIVOT
102	P0575102	MOTOR PLATE
107	P0575107	MOTOR PULLEY
109	P0575109	V-BELT 3VX-470
111	P0575111	MOTOR 1.5 HP (G0575)
111	P0576111	MOTOR 2 HP (G0576)
111-1	P0575111-1	FAN COVER
111-2	P0575111-2	MOTOR FAN
111-3	P0575111-3	CAPACITOR COVER
111-4	PC400B	START CAP 400MFD/125VAC
111-5	P0575111-5	MOTOR WIRING BOX
112	PWRCRD110L	POWER CORD 110V (G0575)
112	PWRCRD220L	POWER CORD 220V (G0576)
113	P0575113	STRAIN RELIEF
114	PWRCRD110S	110V MOTOR CORD (G0575)
114	PWRCRD220S	220V MOTOR CORD (G0576)
115	PCB09	CARR BOLT 5/16-18 X 1-3/4
116	P0575116	SPACER
116-1	PEC015M	E-CLIP 8MM
117	P0575117	GUARD PLATE
118	P0575118	GUARD COVER
119	P0575119	FIBER WASHER 5/16
120	P0575120	BRASS WING NUT 5/16-18
121	PN09	HEX NUT 5/8-18

REF	PART #	DESCRIPTION
121A	P0575121A	HEX NUT 5/8-18LH
122	P0575122	TIE-ROD
123	PN08	HEX NUT 3/8-16
123A	P0575123A	ADJ. STOP 3/8-16 X 2-3/4"
124	P0575124	ADJ. STOP 3/8-16 X 2-3/8"
125	PWR23	ARBOR WRENCH
126	PWR1214	12MM X 14MM WRENCH
127	PB05	HEX BOLT 1/4-20 X 3/4"
128	PAW02M	HEX WRENCH 2MM
128A	PAW03M	HEX WRENCH 3MM
128B	PAW04M	HEX WRENCH 4MM
129	P0575129	STAND LEG
130	P0575130	TOP SHORT BRACKET
131	P0575131	BOTTOM SHORT BRACKET
132	P0575132	TOP LONG BRACKET
133	P0575133	BOTTOM LONG BRACKET
134	P0575134	RUBBER FEET
135	PS19	PHLP HD SCR 1/4-20 X 1"
138	PCB01	CARR BOLT 5/16-18 X 5/8
143	P0575143	DUST HOOD
144	P0575144	TOGGLE TAB
145	PTLW01	EXT TOOTH WASHER #10
146	PS22	PHLP HD SCR 10-24 X 5/8"
148	P0575148	CORD CLIP
149	PB05	HEX BOLT 1/4-20 X 3/4"
151	PW01	FLAT WASHER 1/2"
152	PN06	HEX NUT 1/2-12
153	PLABEL-11	SAFETY GLASSES LABEL
154	PLABEL-26	UNPLUG WARNING LABEL
155	P0575155	WARNING LABEL
156	G9987	GRIZZLY LOGO PLATE
157	PLABEL-12	READ MANUAL LABEL
160	PLABEL-14	ELECTRICITY LABEL
161	P0575161	BLADE GUARD LABEL
162	P0575162	MACHINE ID LABEL (G0575)
162	P0576162	MACHINE ID LABEL (G0576)
165	P0575165	MITER GAUGE SCALE
170	P0575170	SPACER