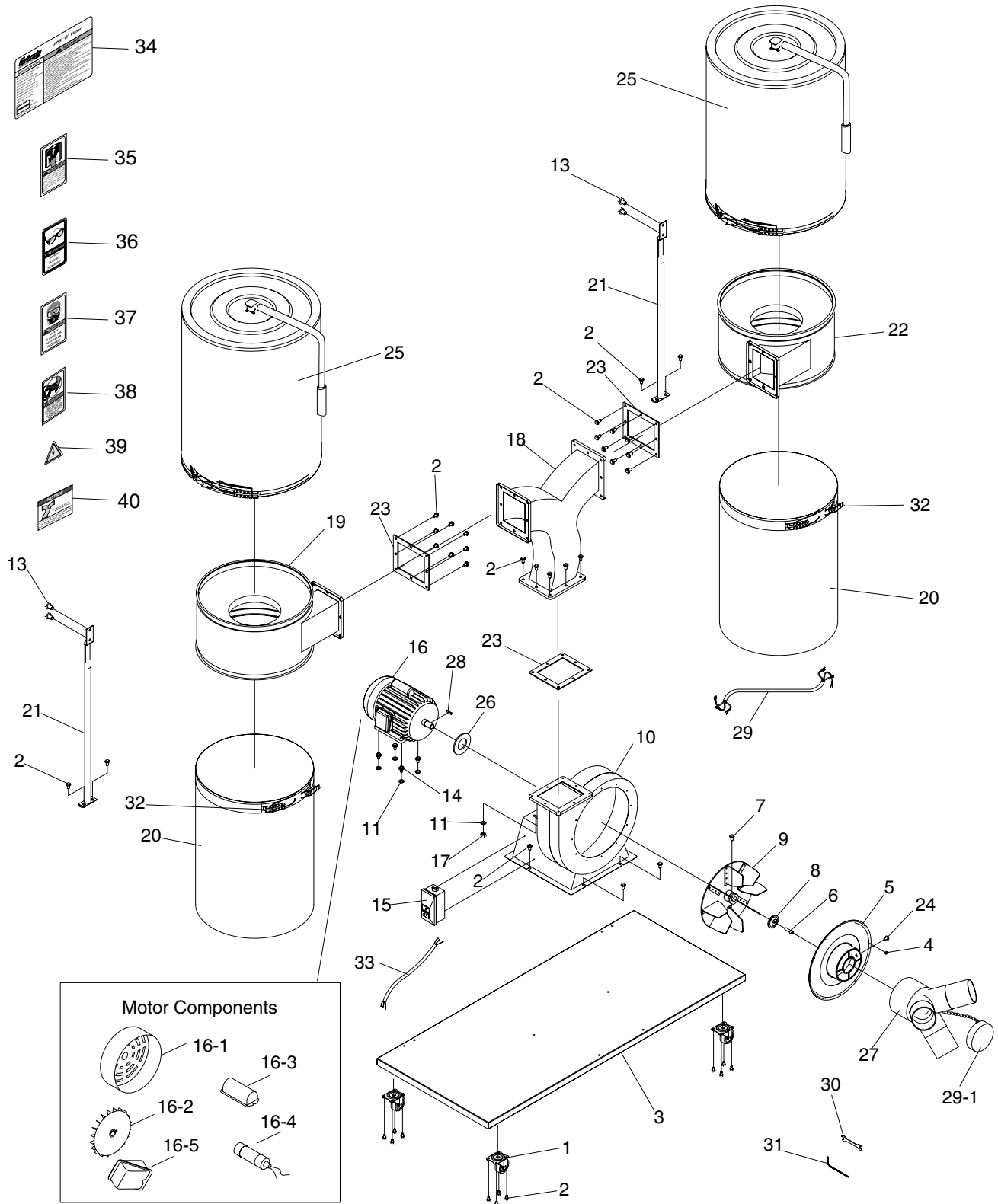
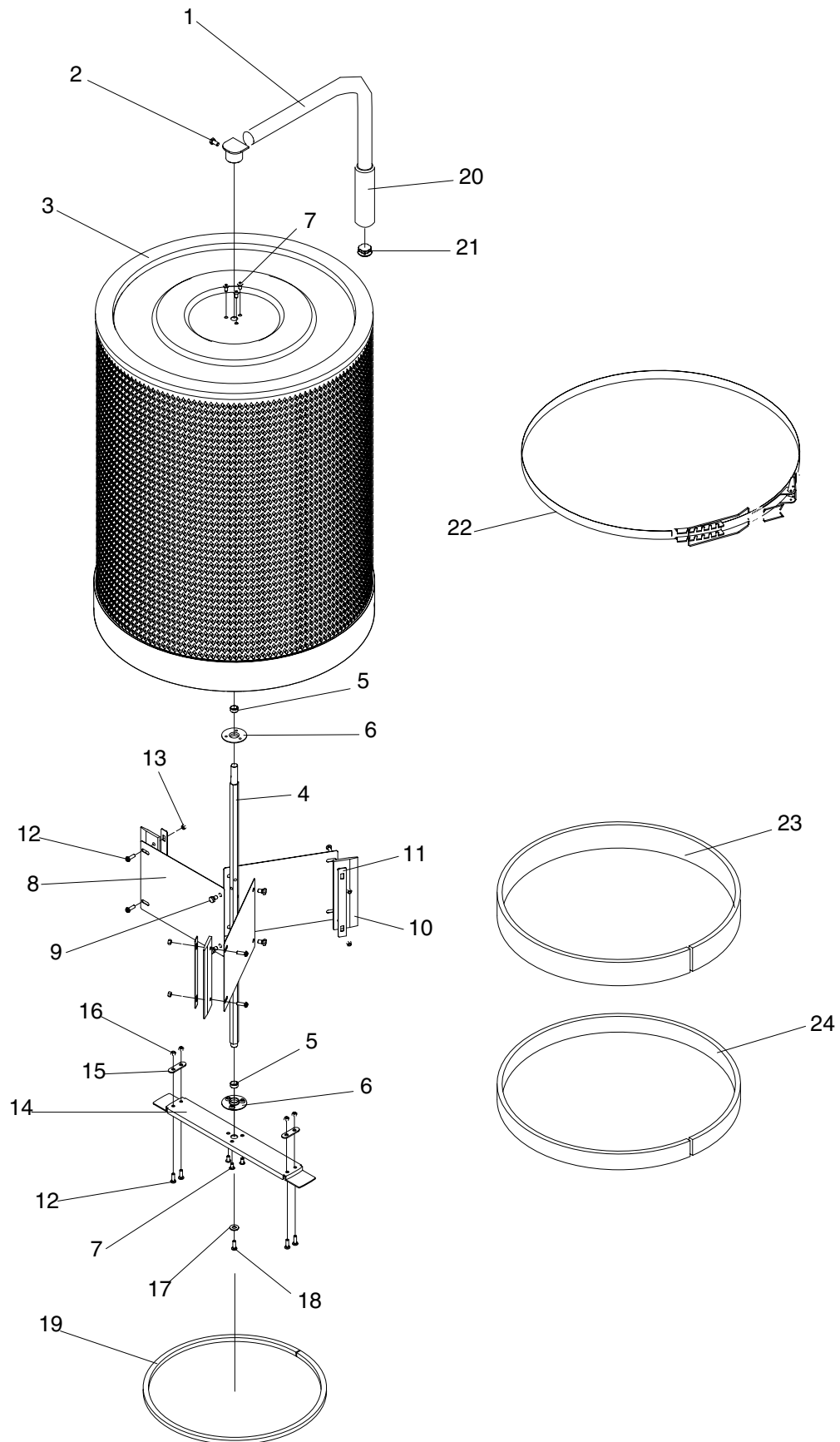


G0562 Dust Collector Parts



H5783 Canister Filter Parts



G0562 Parts List

REF	PART #	DESCRIPTION
1	P0548001	CASTERS
2	PFB01	FLANGE BOLT 5/16"-18 X 1/2"
3	P0562003	BASE PLATE
4	PS06	PHLP HD SCR 10-24 X 3/8
5	P0562005	INLET COVER
6	P1028007	CAP SCREW M6-1 X 19 LH
7	PB09	HEX BOLT 5/16"-18 X 1/2"
8	P0562008	SPECIAL WASHER
9	P0548010	12" IMPELLER
10	P0562010	COLLECTOR BODY
11	PW07	FLAT WASHER 5/16"
13	PFB01	FLANGE BOLT 5/16"-18 X 1/2"
14	PB03	HEX BOLT 5/16"-18 X 1"
15	P0548021	SWITCH
16	P0562016	MOTOR 3 HP
16-1	P0562016-1	MOTOR FAN COVER
16-2	P0562016-2	MOTOR FAN
16-3	P0562016-3	CAPACITOR COVER
16-4	PC600	S CAPACITOR 600M 125V
16-5	P0562016-5	WIRING BOX
17	PN02	HEX NUT 5/16"-18
18	P0562018	METAL "Y" OUTLET
19	P0562019	LEFT COLLECTOR
20	H6899	BAG, LOWER PLASTIC
21	P0548023	COLLECTOR SUPPORT
22	P0548024	RIGHT COLLECTOR
23	P0548028	RUBBER GASKET
24	PS06	PHLP HD SCR 10-24 X 3/8
25	H5783	CANISTER FILTER
26	P0562026	SPACER
27	P0562027	INLET 7" W/THREE 4" PORTS
28	PK28M	KEY 7 X 7 X 29
29	PWRCRD220L	POWER CORD
29-1	P0562029-1	INLET CAP
30	PWR1012	10 X 12 WRENCH
31	PAW05M	HEX WRENCH 5MM
32	P0548034	METAL BAG CLAMP
33	PWRCRD220S	MOTOR CORD
34	P0562034	MACHINE ID LABEL
35	PLABEL-12	READ MANUAL LABEL
36	PLABEL-11	SAFETY GLASSES LABEL
37	PLABEL-39	RESPIRATOR LABEL
38	P0562038	NO HANDS IN INLET LABEL
39	PLABEL-14	ELECTRICITY LABEL
40	P0562040	BAFFLE ADJUST LABEL

H5783 Parts List

REF	PART #	DESCRIPTION
1	PH5783001	HANDLE
2	PB83M	HEX BOLT M6-1 X 16
3	PH5783003	CANISTER FILTER
4	PH5783004	HEX SPINDLE
5	PH5783005	THREAD BEARING
6	PH5783006	BEARING PLATE
7	PS09M	PHLP HD SCR M5-.8 X 10
8	PH5783008	FLAP BOARD
9	PB04M	HEX BOLT M6-1 X 10
10	PH5783010	RUBBER FLAP
11	PH5783011	FLAP PLATE
12	PS20M	PHLP HD SCR M5-.8 X 15
13	PLN02M	LOCK NUT M5-.8
14	PH5783014	BOTTOM PLATE
15	PH5783015	SUPPORT TAB
16	PN06M	HEX NUT M5-.8
17	PW06	FLAT WASHER 1/4
18	PS68M	PHLP HD SCR M6-1 X 10
19	PH5783019	SPONGE 10 X 15 MM
20	PH5783020	HANDLE SLEEVE
21	PH5783021	CAP
22	PH5783022	METAL BELT CLAMP
23	PH5783023	FOAM STRIP 6 X 20 MM
24	PH5783024	FOAM STRIP 5 X 42 MM