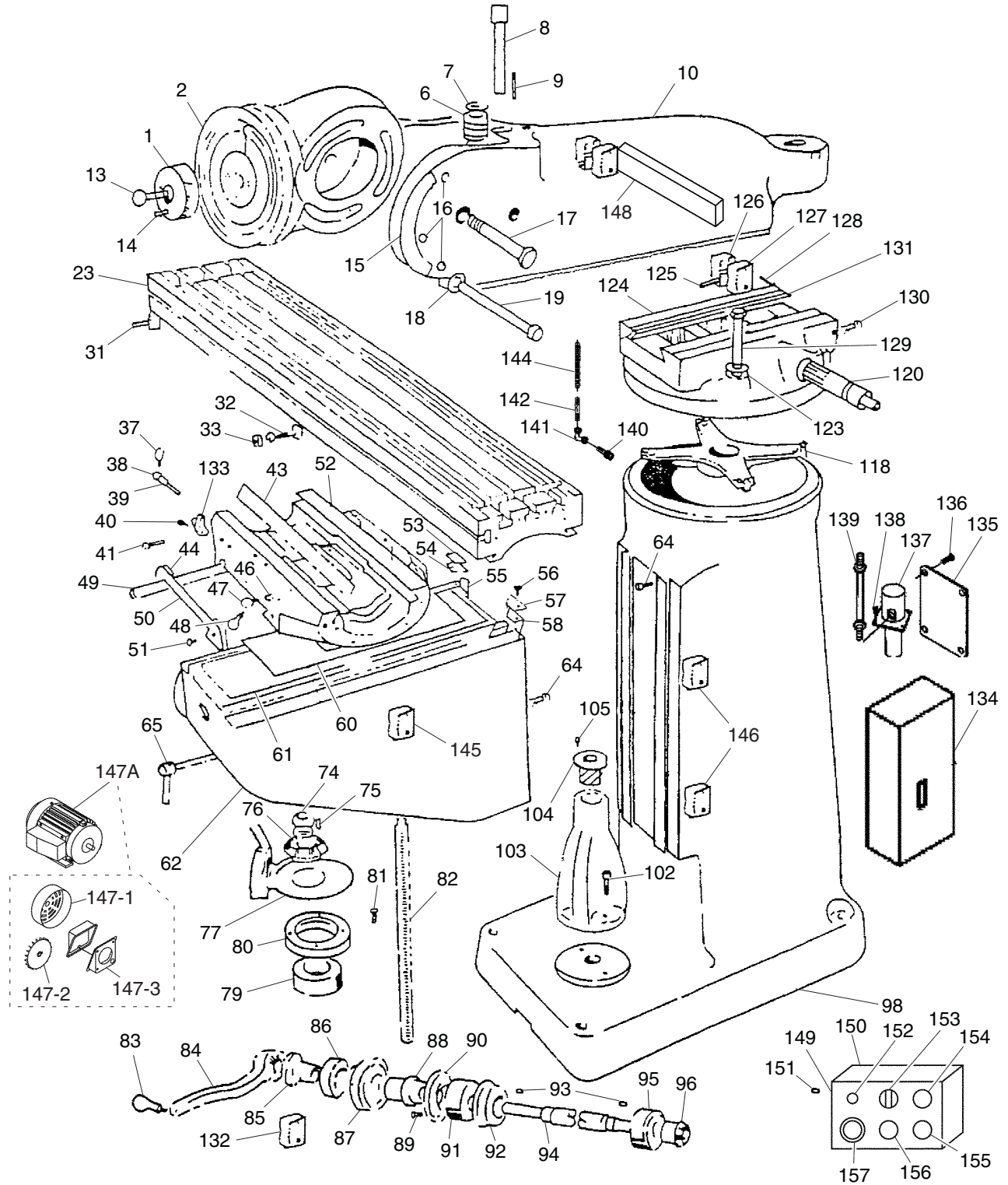


SECTION 9: PARTS

Base Machine Breakdown



Base Machine Parts List

REF	PART #	DESCRIPTION
1	P0559001	QUILL HOUSING ADJUST GEAR
2	P0559002	RAM ADAPTER
6	P0559006	VERT. ADJUSTING WORM GEAR
7	P0559007	WORM THRUST WASHER
8	P0559008	VERTICAL WORM SHAFT
9	P0559009	WORM KEY
10	P0559010	RAM
13	P0559013	CAP SCREW
14	P0559014	ROLL PIN
15	P0559015	SCALE
16	P0559016	RIVET
17	P0559017	ADAPTER PIVOT PIN
18	P0559018	CHAMFERED WASHER
19	P0559019	ADAPTER LOCKING BOLT
23	P0559023	TABLE
31	P0559031	LIMIT STOP T-BOLT
32	P0559032	TABLE STOP PIECE
33	PN02M	HEX NUT M10-1.5
37	P0559037	TABLE LOCK BOLT HANDLE
38	P0559038	SADDLE LOCK BOLT
39	P0559039	SADDLE LOCK PLUNGER
40	P0559040	CAP SCREW
41	P0559041	GIB ADJUSTING SCREW
43	P0559043	SADDLE TABLE GIB STOP BRACKET
44	P0559044	SADDLE WAY WIPER
46	P0559046	TABLE LOCK PLUNGER
47	P0559047	TABLE LOCK BOLT
48	P0559048	TABLE LOCK BOLT HANDLE
49	P0559049	SADDLE GIB
50	P0559050	SADDLE WIPER PLATE
51	PS08M	PHLP HD SCR M5-.8 X 12
52	P0559052	SADDLE
53	P0559053	COLUMN WAY WIPER LEFT
54	P0559054	WAY WIPER PLATE LEFT
55	P0559055	COLUMN GIB
56	PSB33M	CAP SCREW M5-.8 X 12
57	P0559057	COLUMN WAY WIPER RIGHT
58	P0559058	WAY WIPER PLATE RIGHT
60	P0559060	CHIP GUARD UPPER
61	P0559061	CHIP GUARD LOWER

REF	PART #	DESCRIPTION
62	P0559062	KNEE
64	P0559064	STOP SCREW
65	P0559065	LOCK HANDLE
74	PN01	HEX NUT 1/2-20
75	PK23M	KEY 5 X 5 X 25
76	PW10M	FLAT WASHER 13MM
77	P0559077	BEVEL GEAR
79	P6305	BALL BEARING 6306
80	P0559080	BEARING RETAINING RING
81	PSB01M	CAP SCREW M6-1 X 16
82	P0559082	ELEVATION LEADSCREW
83	P0559083	HANDLE
84	P0559084	ELEVATION CRANK
85	P0559085	GEARSHAFT CLUTCH INSERT
86	P0559086	DIAL LOCK NUT
87	P0559087	GRADUATED DIAL
88	P0559088	DIAL HOLDER
89	PSB02M	CAP SCREW M6-1 X 20
90	P0559090	BEARING RETAINING RING
91	P0559091	BALL BEARING 20 X 47 X 14MM
92	P0559092	BEARING CAP
93	PK48M	KEY 4 X 4 X 20
94	P0559094	ELEVATION CRANK SHAFT
95	P0559095	BALL BEARING 20 X 47 X 14MM
96	P0559096	BEVEL PINION
98	P0559098	COLUMN
102	P0559102	CAP SCREW
103	P0559103	PEDESTAL
104	P0559104	ELEVATION LEADSCREW NUT
105	PSB01M	CAP SCREW M6-1 X 16
118	P0559118	TURRET SPIDER
120	P0559120	RAM PINION
123	P0559123	CHAMFERED WASHER
124	P0559124	TURRET
125	P0559125	RAM CLAMP BAR
126	P0559126	RAM CLAMP UNTAPPED
127	P0559127	RAM CLAMP TAPPED
128	P0559128	ROLL PIN
129	P0559129	LOCKING BOLT
130	P0559130	GIB ADJUSTMENT SCREW



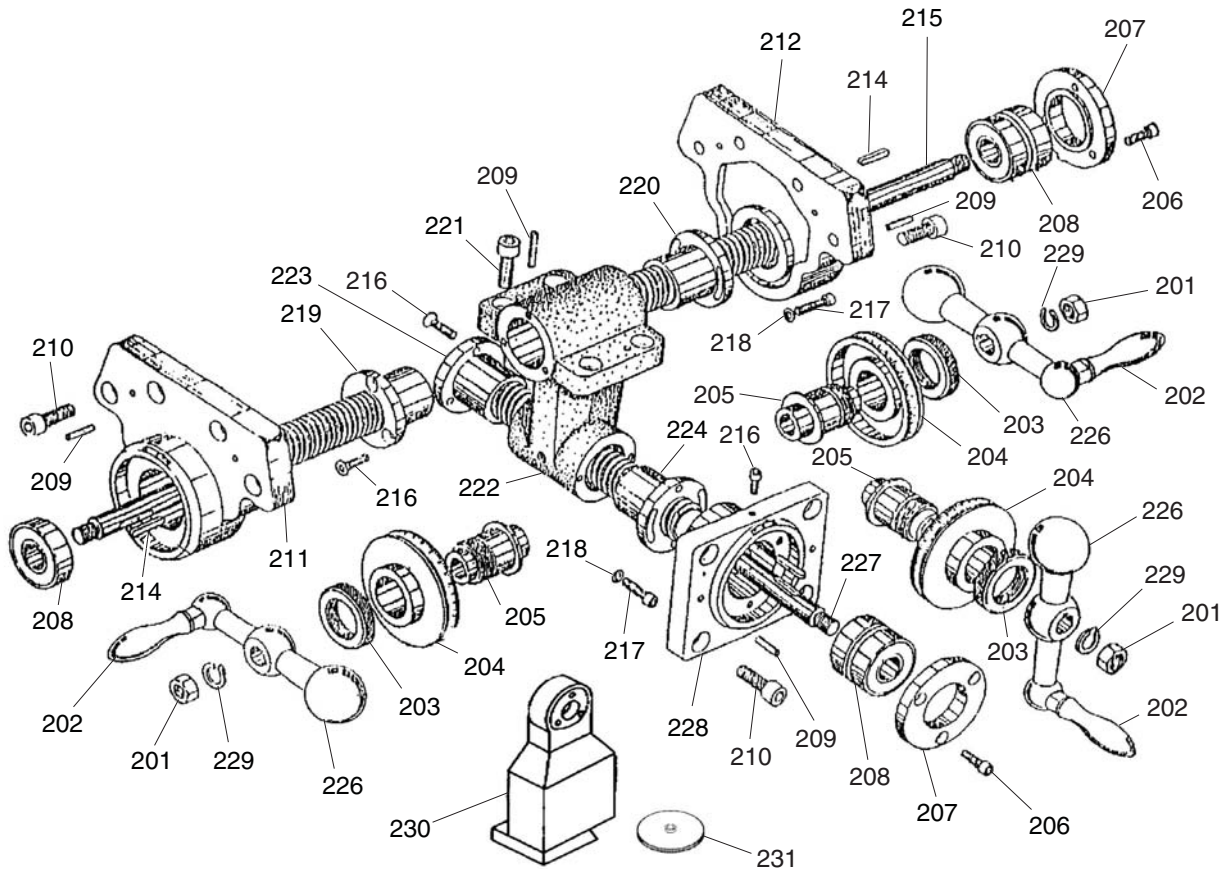
Base Machine Parts List

REF	PART #	DESCRIPTION
131	P0559131	RAM GIB
132	P0559132	KNEE CRANK SAFETY SWITCH
133	P0559133	LONGITUDINAL LIMIT SWITCH
134	P0559134	ELECTRICAL CABINET
135	P0559135	COOLANT PUMP ACCESS COVER
136	PS09M	PHLP HD SCR M5-.8 X 10
137	P0559137	COOLANT PUMP
138	PSB28M	CAP SCREW M6-1 X 15
139	P0559139	COOLANT HOSE 3/8 ID
140	P0559140	PIPE NIPPLE 3/8
141	P0559141	ELBOW JOINT 3/8
142	P0559142	PIPE 3/8
144	P0559144	COOLANT NOZZLE
145	P0559145	CROSS LIMIT SWITCH
146	P0559146	COLUMN LIMIT SWITCH

REF	PART #	DESCRIPTION
147A	P0559147A	VERTICAL MOTOR 1/8HP 220V 3PH
147-1	P0559147-1	MOTOR FAN COVER
147-2	P0559147-2	MOTOR FAN
147-3	P0559147-3	MOTOR WIRING JUNCTION BOX
148	P0559148	DIGITAL R.O. PIVOT ARM ASSY
149	P0559149	CONTROL PANEL
150	P0559150	CONTROL PANEL BOX
151	PS09M	PHLP HD SCR M5-.8 X 10
152	P0559152	WORK LIGHT SWITCH
153	P0559153	COOLANT PUMP SWITCH
154	P0559154	ELEVATION UP BUTTON
155	P0559155	ELEVATION DOWN BUTTON
156	P0559156	ON BUTTON
157	P0559157	EMERGENCY STOP BUTTON



Longitudinal & Cross Leadscrews Breakdown & Parts List

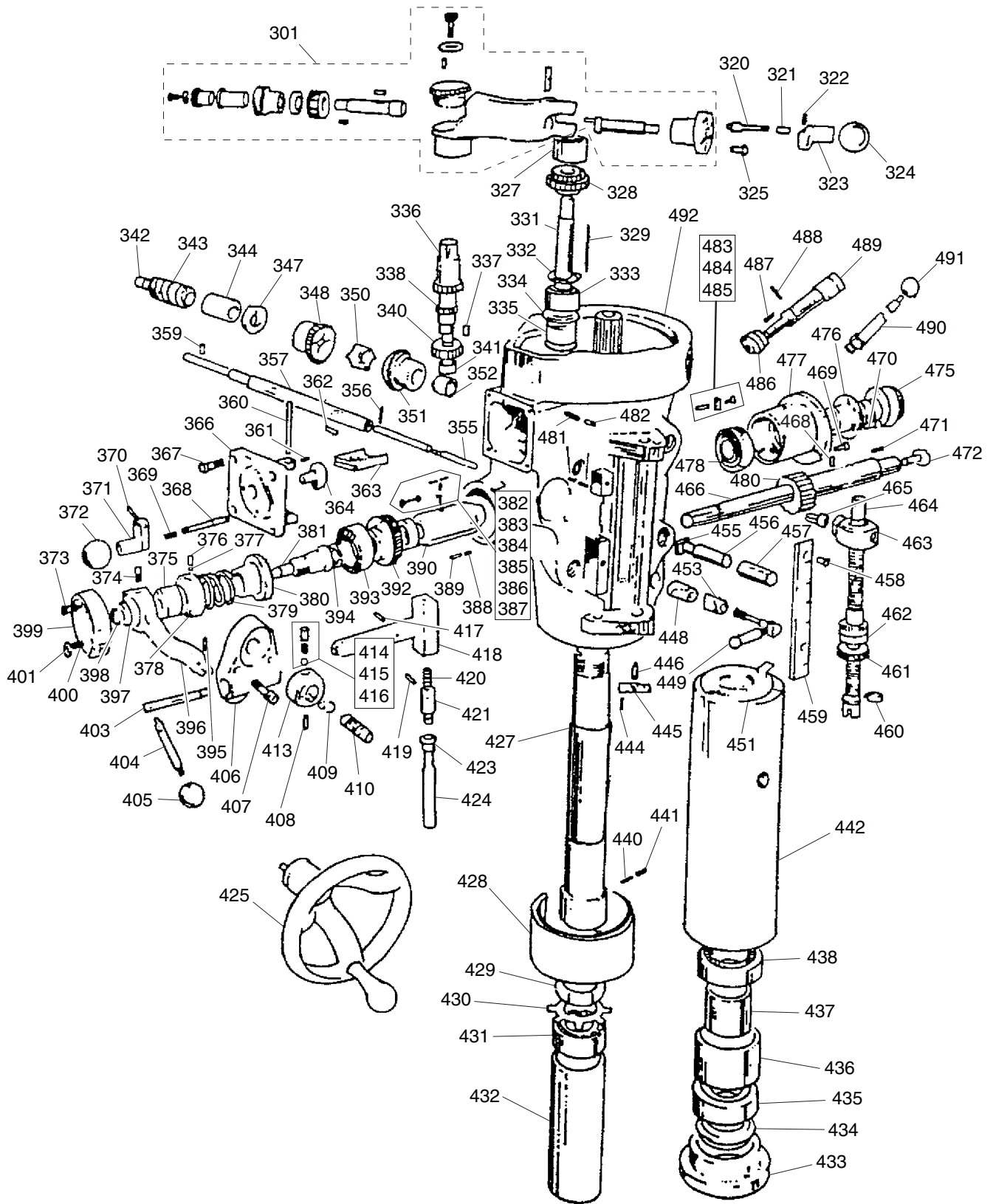


REF	PART #	DESCRIPTION
201	PN01	HEX NUT 1/2-20
202	P0559202	BALL CRANK HANDLE
203	P0559203	DIAL LOCK NUT
204	P0559204	GRADUATED DIAL
205	P0559205	DIAL HOLDER
206	PSB04M	CAP SCREW M6-1 X 10
207	P0559207	BEARING RETAINER RING
208	P204-20	BALL BEARING 204-20
209	P0559209	ROLL PIN
210	PB56M	CAP SCREW M10-1.5 X 20
211	P0559211	LEFT BEARING BRACKET
212	P0559212	RIGHT BEARING BRACKET
214	PK92M	KEY 3 X 3 X 25
215	P0559215	LONGITUDINAL LEADSCREW
216	PSB02M	CAP SCREW M6-1 X 20

REF	PART #	DESCRIPTION
217	PSB02M	CAP SCREW M6-1 X 20
218	PW03M	FLAT WASHER 6MM
219	P0559219	LONG. LEADSCREW NUT LEFT
220	P0559220	LONG. LEADSCREW NUT RIGHT
221	PB56M	CAP SCREW M10-1.5 X 20
222	P0559222	LEADSCREW NUT BRACKET
223	P0559223	CROSS LEADSCREW NUT REAR
224	P0559224	CROSS LEADSCREW NUT FRONT
226	P0559226	BALL HANDLE
227	P0559227	CROSS LEADSCREW
228	P0559228	BEARING BRACKET
229	PLW07	LOCK WASHER 1/2
230	P0559230	POWER FEED ASSEMBLY
231	P0559231	POWER FEED LEXAN GEAR



Head Breakdown



Head Parts List

REF	PART #	DESCRIPTION
301	P0559301	DOWNFEED SHAFT ASSEMBLY
320	P0559320	GEARSHAFT PLUNGER
321	P0559321	COMPRESSION SPRING
322	PRP42M	ROLL PIN 3 X 20
323	P0559323	SHIFT CRANK
324	P0559324	KNOB
325	PSB15M	CAP SCREW M5-.8 X 20
327	P0559327	CLUSTER GEAR SHAFT BEARING
328	P0559328	CLUSTER GEAR
329	P0559329	CLUSTER GEAR KEY
331	P0559331	CLUSTER GEAR SHAFT
332	PR06M	EXT RETAINING RING 16MM
333	P0559333	BALL BEARING 23.8 X 16 X 13.5MM
334	P0559334	THRUST BEARING 22 X 16 X 2.5MM
335	P0559335	FEED REVERSE BEVEL PINION
336	P0559336	FEED GEAR
337	PK39M	KEY 3 X 3 X 10
338	P0559338	CLUSTER GEAR INPUT SHAFT
340	P0559340	FEED GEAR
341	P0559341	NEEDLE BEARING 9.5 X 14 X 13MM
342	P0559342	BUSHING
343	P0559343	WORM GEAR
344	P0559344	FEED WORM SHAFT BUSHING
347	P0559347	FEED WORM SHAFT WASHER
348	P0559348	FEED REVERSE BEVEL GEAR
350	P0559350	FEED REVERSE CLUTCH
351	P0559351	FEED REVERSE BEVEL GEAR
352	P0559352	BUSHING
355	P0559355	REVERSE CLUTCH ROD
356	PRP61M	ROLL PIN 3 X 12
357	P0559357	FEED WORM SHAFT
359	P0559359	PIN
360	P0559360	FEED SHAFT ROD
361	PSS07M	SET SCREW M5-.8 X 5
362	PK39M	KEY 3 X 3 X 10
363	P0559363	FEED GEAR SHIFT CRANK
364	P0559364	CLUSTER GEAR SHAFT CRANK
366	P0559366	CLUSTER GEAR COVER
367	PSB24M	CAP SCREW M5-.8 X 16
368	P0559368	GEAR SHIFT PLUNGER
369	P0559369	COMPRESSION SPRING
370	P0559370	SHIFT CRANK
371	PRP42M	ROLL PIN 3 X 20
372	P0559372	KNOB
373	PSB108M	CAP SCREW M5-.8 X 45
374	P0559374	CLUTCH RING PIN
375	P0559375	CLUTCH RING
376	PSS03M	SET SCREW M6-1 X 8
377	P0559377	BRASS PLUG
378	P0559378	OVERLOAD CLUTCH LOCKNUT

REF	PART #	DESCRIPTION
379	P0559379	SAFETY CLUTCH SPRING
380	P0559380	OVERLOAD CLUTCH
381	P0559381	OVERLOAD CLUTCH SLEEVE
382	P0559382	LOCK WASHER
383	P0559383	PHLP HD SCR
384	P0559384	LOCK SCREW
385	PSS02M	SET SCREW M6-.8 X 6
386	P0559386	LOCK SCREW
387	PSS02M	SET SCREW M6-.8 X 6
388	P0559388	COMPRESSION SPRING
389	P0559389	CLUTCH LEVER SPRING PLUNGER
390	P0559390	QUILL PINION SHAFT BUSHING
392	P0559392	OVERLOAD CLUTCH WORM GEAR
393	P0559393	OVERLOAD CLUTCH RING
394	PR05M	EXT RETAINING RING 15MM
395	P0559395	DOWEL PIN
396	P0559396	OVERLOAD CLUTCH TRIP LEVER
397	P0559397	OVERLOAD CLUTCH WASHER
398	PR01M	EXT RETAINING RING 10MM
399	P0559399	CLUTCH ARM COVER
400	PSS11M	SET SCREW M6-1 X 16
401	P0559401	CAM BRACKET LOCK NUT
403	P0559403	CAM ROD
404	P0559404	TRIP HANDLE
405	PSW03-1	KNOB
406	P0559406	FEED TRIP BRACKET
407	PSB02M	CAP SCREW M6-1 X 20
408	PSS02M	SET SCREW M6-1 X 6
409	PK39M	KEY 3 X 3 X 10
410	P0559410	FEED REVERSE KNOB STUD
413	P0559413	HANDWHEEL CLUTCH
414	P0559414	STEEL BALL
415	P0559415	COMPRESSION SPRING
416	PSS20M	SET SCREW M8-1.25 X 8
417	PRP02M	ROLL PIN 3 X 16
418	P0559418	CAM ROD SLEEVE
419	PRP61M	ROLL PIN 3 X 12
420	P0559420	COMPRESSION SPRING
421	P0559421	TRIP PLUNGER
423	P0559423	TRIP PLUNGER BUSHING
424	P0559424	FEED TRIP PLUNGER
425	P0559425	HANDWHEEL
427	P0559427	SPINDLE
428	P0559428	QUILL SKIRT
429	P0559429	SPANNER NUT
430	P0559430	SPANNER LOCK WASHER
431	P7008	ANG. CONTACT BEARING 7008ZZ
432	P0559432	SLEEVE
433	P0559433	QUILL NOSE
434	P0559434	SPINDLE DIRT SHIELD



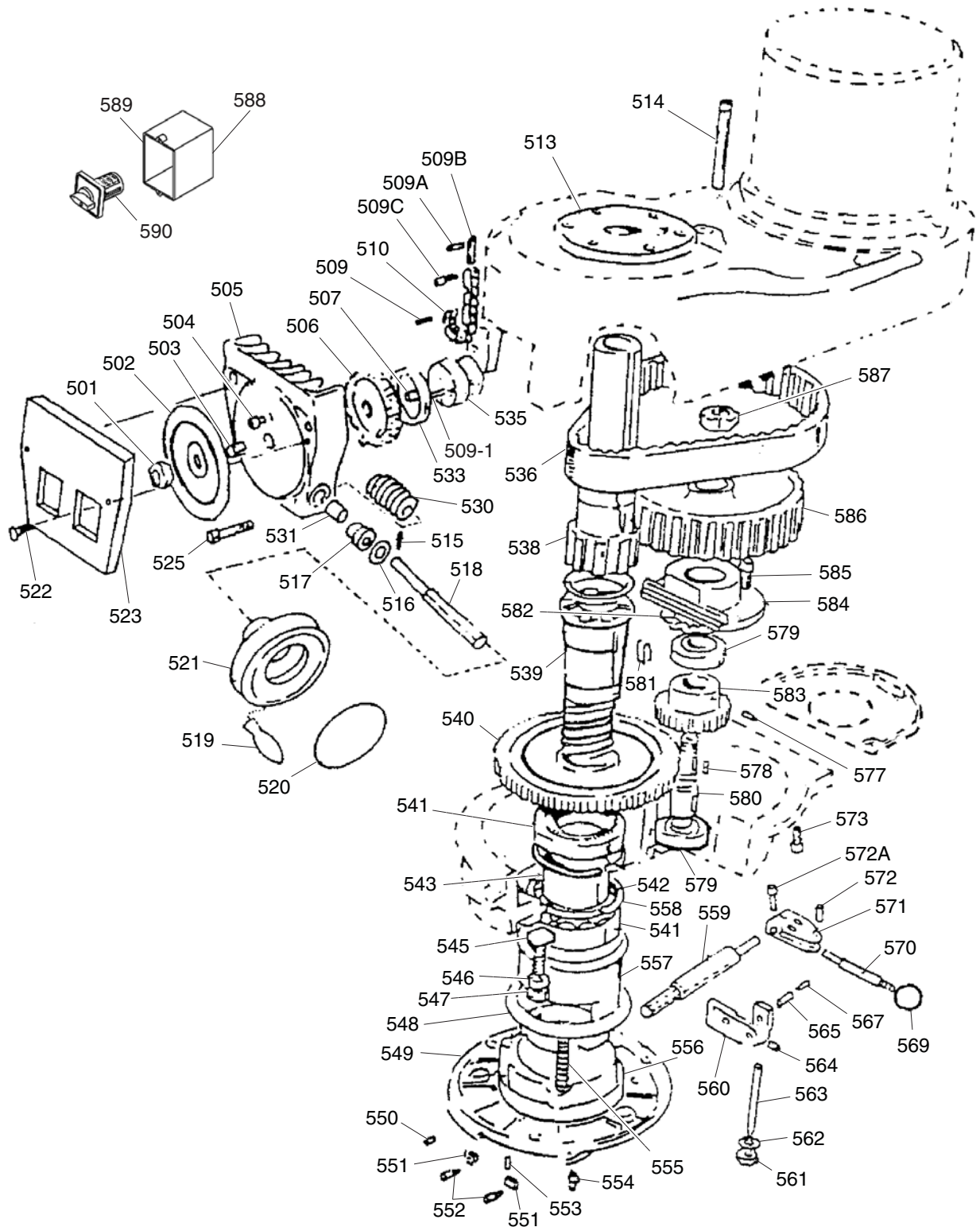
Head Parts List

REF	PART #	DESCRIPTION
435	P0559435	ANG. CONTACT BEARING 7010ZZ
436	P0559436	BEARING SPACER
437	P0559437	BUSHING
438	P0559438	BEARING
440	P0559440	SPECIAL SOCKET SET SCREW
441	P0559441	COLLET ALIGNMENT SCREW
442	P0559442	QUILL
444	PSS50M	SET SCREW M4-.7 X 20
445	P0559445	FEED TRIP LEVER
446	P0559446	TRIP LEVER PIN
448	P0559448	QUILL LOCK SLEEVE
449	P0559449	LOCK HANDLE
451	P0559451	FELT WASHER
453	P0559453	QUILL LOCK SLEEVE TAPPED
455	P0559455	T-BOLT
456	P0559456	LOWER CLAMPING BOLT SPACER
457	P0559457	CLAMPING BOLT LOCK
458	PS17M	PHLP HD SCR M4-.7 X 6
459	P0559459	SCALE
460	P0559460	PHLP HD SCR
461	P0559461	QUILL LOCK NUT
462	P0559462	QUILL STOP NUT
463	P0559463	QUILL DOG
464	P0559464	QUILL SCREW

REF	PART #	DESCRIPTION
465	PSB75M	CAP SCREW M10-1.5 X 18
466	P0559466	QUILL PINION SHAFT
468	PRP01M	ROLL PIN 4 X 17
469	PS02M	PHLP HD SCR M4-.7 X 12
470	PRP35M	ROLL PIN 5 X 10
471	P0559471	KEY 3 X 3 X 18
472	P0559472	PINION SHAFT HUB SCREW
475	P0559475	RACK FEED HANDLE HUB
476	P0559476	PINION SHAFT HUB SLEEVE
477	P0559477	SPRING COVER
478	P0559478	TORSION SPRING
480	P0559480	QUILL PINION
481	PSS11M	SET SCREW M6-1 X 16
482	P0559482	SPECIAL SCREW
483	P0559483	REVERSE TRIP BALL LEVER
484	P0559484	FEED REVERSE TRIP PLUNGER
485	P0559485	REVERSE TRIP BALL LEVER SCREW
486	P0559486	WORM GEAR
487	PK48M	KEY 4 X 4 X 20
489	P0559489	WORM SHAFT
490	P0559490	PINION SHAFT HUB HANDLE
491	P0559491	KNOB
492	P0559492	HEAD CASTING



Upper Drive System Breakdown

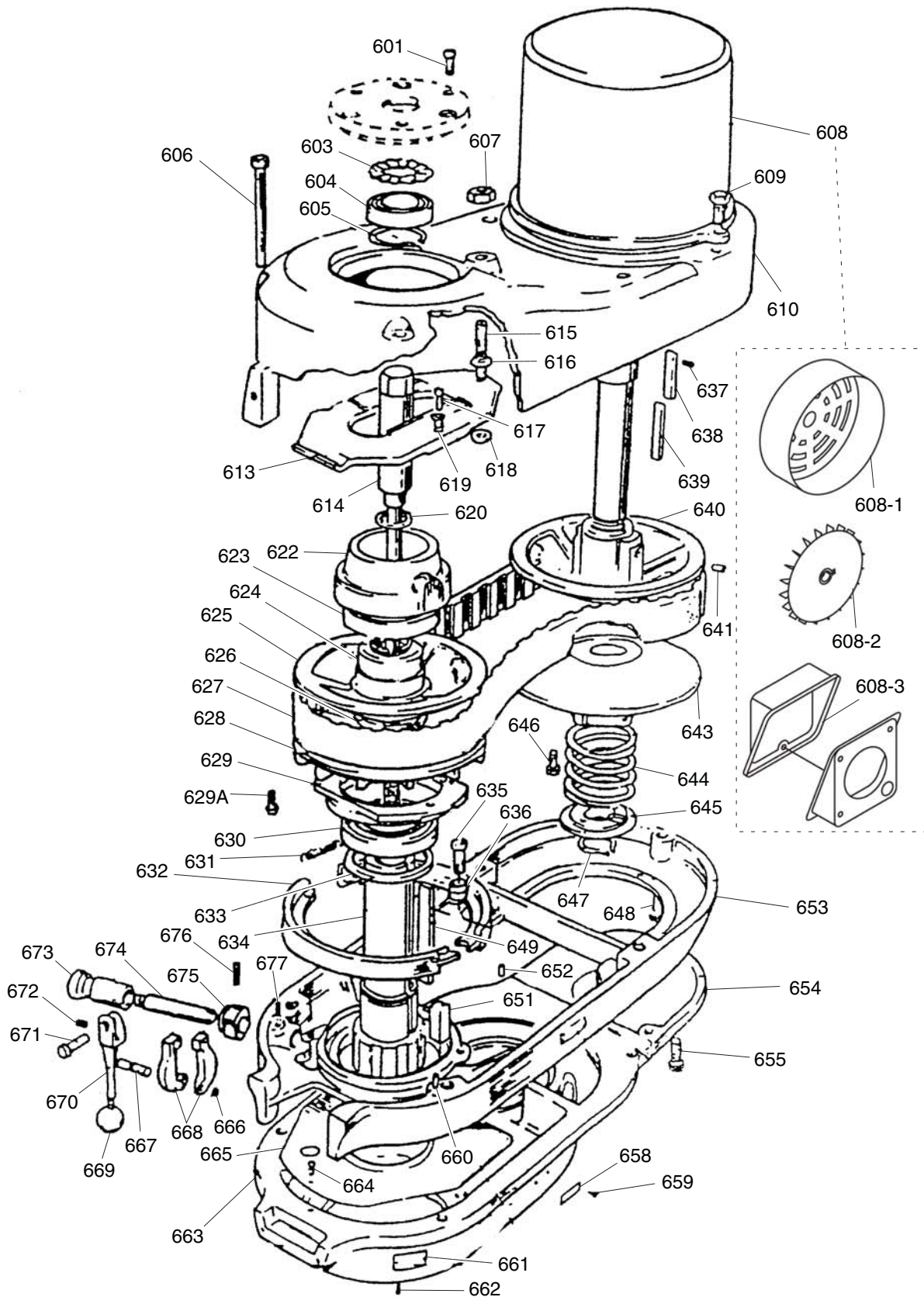


Upper Drive System Parts List

REF	PART #	DESCRIPTION	REF	PART #	DESCRIPTION
501	PN02	HEX NUT 5/16-18	548	P0559548	GEAR SLEEVE WASHER
502	P0559502	SPEED READOUT DIAL	549	P0559549	FIXED CLUTCH BRACKET
503	P0559503	BRONZE BEARING	550	P0559550	SET SCREW
504	PSS11M	SET SCREW M6-1 X 16	551	P0559551	CLUTCH BRACKET GUIDE
505	P0559505	SPEED CHANGER HOUSING	552	PSB85M	CAP SCREW M6-1 X 6
506	P0559506	SPEED CHANGER CHIP SHIELD	553	P0559553	DOWEL PIN
507	PS05M	PHLP HD SCR M5-.8 X 8	554	P0559554	OIL CUP
509	P0559509	ROLL PIN 3 X 24	555	P0559555	COMPRESSION SPRING
509-1	PRP19M	ROLL PIN 4 X 14	556	P0559556	BEARING LOCK NUT
509A	PRP76M	ROLL PIN 4 X 16	557	P0559557	BEARING SLEEVE
509B	P0559509B	SPEED CHANGE STUD	558	P0559558	WAVY WASHER
509C	P0559509C	COTTER PIN	559	P0559559	BULL GEAR SHIFT PINION
510	P0559510	SPEED CHANGER CHAIN	560	P0559560	HI-LOW DETENT PLATE
513	P0559513	TOP BEARING CAP	561	PN09M	HEX NUT M12-1.75
514	PSB74	CAP SCREW 3/8-16 X 2	562	PLW05	LOCK WASHER 7/16
515	P0559515	ROLL PIN	563	P0559563	STUD
516	P0559516	COMPRESSION SPRING	564	PSS51M	SET SCREW M4-.7 X 8
517	P0559517	BALL BEARING 11 X 16 X 19 X 16MM	565	P0559565	ADJUSTABLE PLATE
518	P0559518	SPEED CHANGE SHAFT	567	P0559567	COMPRESSION SPRING
519	P0559519	HANDLE	569	P0559569	KNOB
520	P0559520	CAUTION PLATE	570	P0559570	HI/LOW SHIFT CRANK
521	P0559521	SPEED CHANGE HANDWHEEL	571	P0559571	HI/LOW PINION BLOCK
522	PFH30M	FLAT HD SCR M5-.8 X 8	572	P0559572	ROLL PIN
523	P0559523	PLASTIC FACE PLATE	572A	PSB17M	CAP SCREW M4-.7 X 5
525	PSB48M	CAP SCREW M6-1 X 35	573	PSS25M	SET SCREW M6-1 X 20
530	P0559530	WORM GEAR	577	PSS02M	SET SCREW M6-1 X 6
531	P0559531	ROLLER BEARING 16 X 12 X 13MM	578	PK08M	KEY 5 X 5 X 16
533	P0559533	SPEED CHANGER SPUR GEAR 32T	579	P0559579	BALL BEARING 17 X 40 X 12MM
535	P0559535	SPEED CHANGE CHAIN DRUM	580	P0559580	BULL GEAR PINION SHAFT
536	P0559536	COGGED TOOTH BELT 560 8M	581	PK70M	KEY 8 X 8 X 12
538	P0559538	TIMING PULLEY CLUTCH SLEEVE	582	P0559582	WAVY WASHER
539	P0559539	SPLINED GEAR HUB	583	P0559583	BULL GEAR PINION
540	P0559540	SPINDLE BULL GEAR ASSY	584	P0559584	BULL GEAR PINION BEARING CAP
541	P0559541	BALL BEARING 35 X 72 X 17MM	585	PSB16M	CAP SCREW M4-.7 X 16
542	P0559542	RETAINING RING	586	P0559586	TIMING BELT PULLEY
543	P0559543	BULL GEAR BEARING SPACER	587	P0559587	HEX NUT M24-2.5
545	P0559545	T-BOLT	588	P0559588	SWITCH BOX
546	P0559546	FLAT WASHER	589	P0559589	SWITCH BOX COVER
547	P0559547	HEX NUT	590	P0559590	SPINDLE DIRECTION SWITCH



Lower Drive System Breakdown



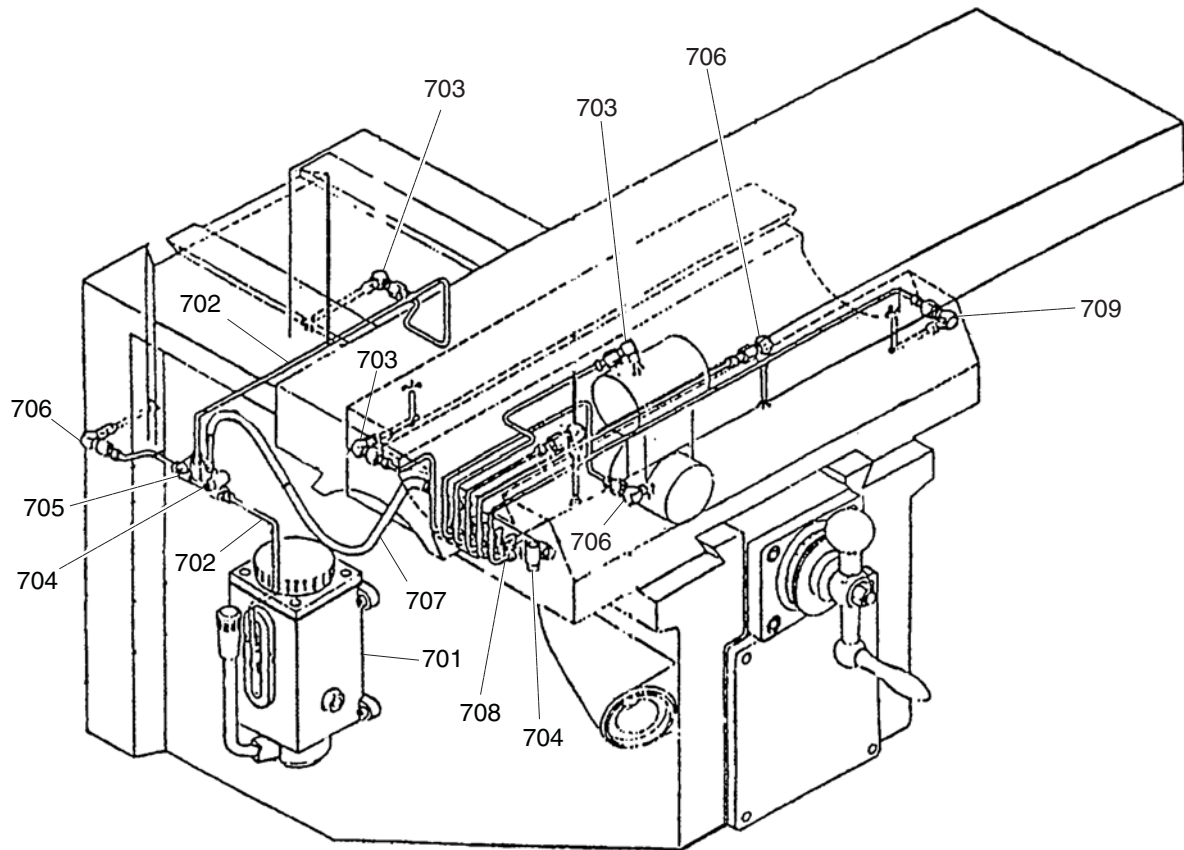
Lower Drive System Parts List

REF	PART #	DESCRIPTION
601	PSB15M	CAP SCREW M5-.8 X 20
603	P0559603	WAVY WASHER 14MM
604	P0559604	BALL BEARING 35 X 62 X 14MM
605	PR56M	EXT RETAINING RING 45MM
606	P0559606	CAP SCREW
607	PN08	HEX NUT 3/8-16
608	P0559608	SPINDLE MOTOR 5HP 220V 3-PH
608-1	P0559608-1	MOTOR FAN COVER
608-2	P0559608-2	MOTOR FAN
608-3	P0559608-3	MOTOR WIRING JUNCTION BOX
609	PB24	HEX BOLT 3/8-16 X 1-3/8
610	P0559610	BELT HOUSING
613	P0559613	SPEED CHANGE PLATE
614	P0559614	DRAWBAR
615	P0559615	COTTER PIN
616	P0559616	SPEED CHANGE PLATE PIVOT STUD
617	PSB16M	CAP SCREW M4-.7 X 16
618	PW04M	FLAT WASHER 10MM
619	P0559619	PIVOT SLEEVE
620	P0559620	DRAWBAR WASHER
622	P0559622	PULLEY BEARING HOUSING
623	P0559623	BALL BEARING
624	P0559624	PLASTIC INSERT
625	P0559625	ADJUSTABLE DISC
626	PR43M	EXT RETAINING RING 50MM
627	P0559627	TIMING BELT 900VC3830
628	P0559628	STATIONARY DISC
629	P0559629	BRAKE BEARING CAP
629A	PSB74M	CAP SCREW M6-1 X 18
630	P0559630	BALL BEARING
631	P0559631	BRAKE SPRING
632	P0559632	BRAKE SHOE ASSY
633	P0559633	SPINDLE PULLEY SPACER
634	P0559634	SPINDLE PULLEY HUB
635	PB03	HEX BOLT 5/16-18 X 1
636	P0559636	BRAKE SHOE PIVOT SLEEVE
637	P0559637	ROLL DOWEL PIN

REF	PART #	DESCRIPTION
638	P0559638	DRIVE KEY
639	P0559639	MOTOR SHAFT KEY
640	P0559640	STATIONARY MOTOR DISC
641	PSS02M	SET SCREW M6-1 X 6
643	P0559643	ADJUSTABLE MOTOR DISC
644	P0559644	MOTOR SHAFT SPRING
645	P0559645	ADJUSTABLE DISC SPRING COLLAR
646	P0559646	CAP SCREW
647	P0559647	RETAINING RING
648	PSB15M	CAP SCREW M5-.8 X 20
649	P0559649	PLASTIC KEY
651	P0559651	KEY
652	P0559652	TAPER PIN
653	P0559653	BELT HOUSING BASE
654	P0559654	MOTOR PULLEY COVER
655	PSB15M	CAP SCREW M5-.8 X 20
658	P0559658	HI-LOW RANGE NAMEPLATE
659	P0559659	RIVET
660	P0559660	TAPER PIN
661	P0559661	QUILL FEED NAMEPLATE
662	P0559662	RIVET
663	P0559663	GEAR HOUSING
664	PS107M	PHLP HD SCR M6-1 X 20
665	P0559665	GEAR HOUSING PLATE
666	PR39M	EXT RETAINING RING 8MM
667	P0559667	BRAKE FINGER PIVOT STUD
668	P0559668	BRAKE OPERATING FINGER
669	P0559669	KNOB
670	P0559670	BRAKE LOCK HANDLE
671	P0559671	BRAKE LOCK PIN
672	PSS02M	SET SCREW M6-1 X 6
673	P0559673	BRAKE LOCK SHAFT SLEEVE
674	P0559674	BRAKE LOCK SHAFT
675	P0559675	BRAKE LOCK CAM
676	PRP103M	ROLL PIN 6 X 6
677	PSS02M	SET SCREW M6-1 X 6



One-Shot Oiler Breakdown & Parts List

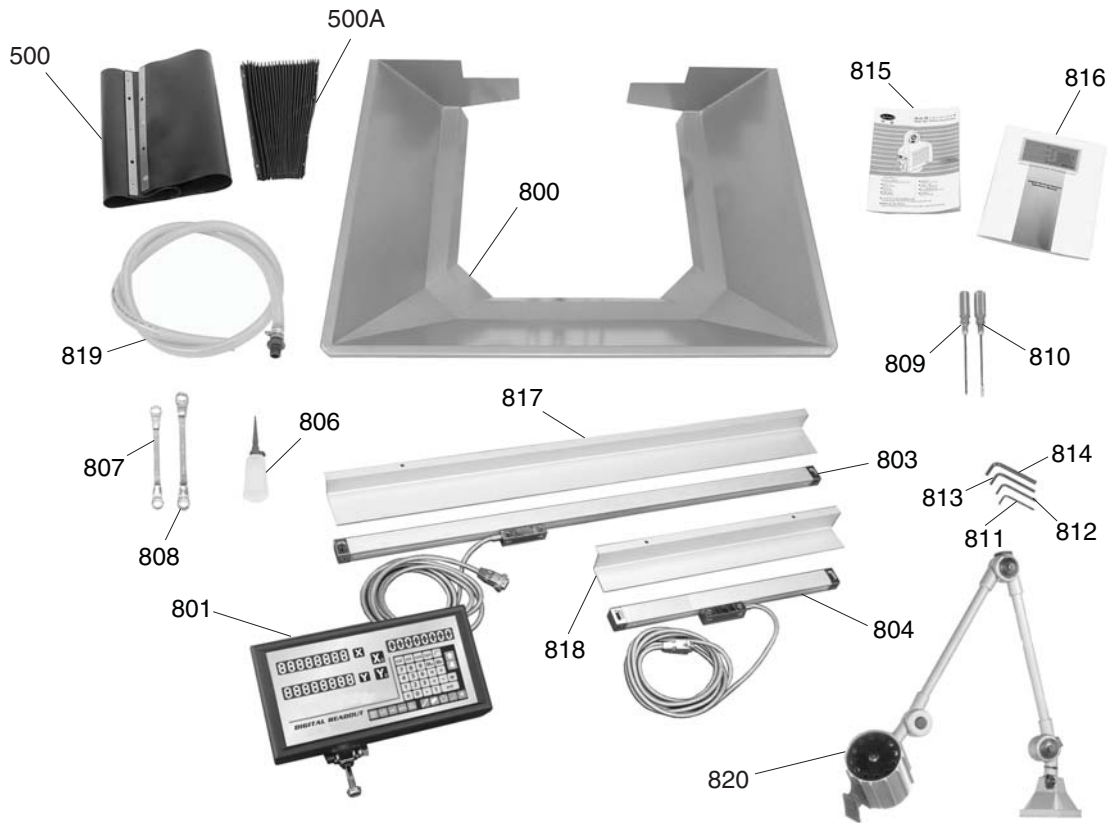


REF	PART #	DESCRIPTION
701	P0559701	ONE-SHOT OILER
702	P0559702	ALUMINUM PIPE
703	P0559703	OIL DISTRIBUTOR CPS4
704	P0559704	HEX BOLT
705	P0559705	OIL DISTRIBUTOR A4

REF	PART #	DESCRIPTION
706	P0559706	OIL DISTRIBUTOR CPS3
707	P0559707	STEEL FLEXIBLE TUBE
708	P0559708	OIL DISTRIBUTOR A8
709	P0559709	OIL DISTRIBUTOR CPS5



Accessories Breakdown & Parts List

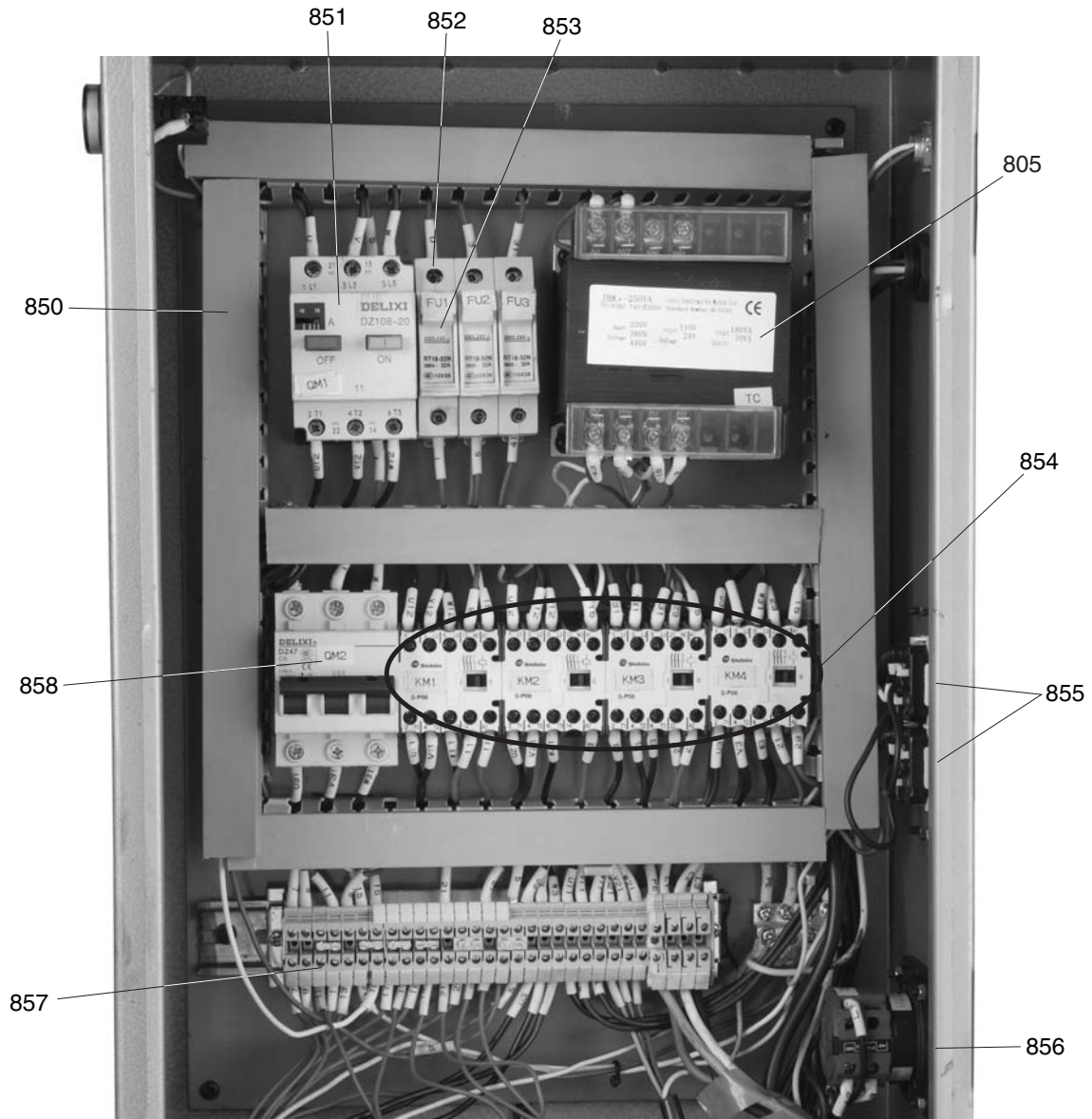


REF	PART #	DESCRIPTION
500	P0559500	RUBBER WAY COVER
500A	P0559500A	RUBBER CHIP DEFLECTOR
800	P0559800	SPLASH PAN
801	P0559801	DIGITAL DISPLAY UNIT
803	P0559803	X-AXIS SCALE
804	P0559804	Y-AXIS SCALE
806	P0559806	OIL BOTTLE
807	PWR1719	WRENCH 17/19
808	P0559808	WRENCH 18/21
809	PSDP2	SCREWDRIVER PHILLIPS #2
810	PSDF2	SCREWDRIVER STANDARD #2

REF	PART #	DESCRIPTION
811	PAW04M	HEX WRENCH 4MM
812	PAW05M	HEX WRENCH 5MM
813	PAW06M	HEX WRENCH 6MM
814	PAW08M	HEX WRENCH 8MM
815	P0559815	POWER FEED MANUAL
816	P0559816	DIGITAL READOUT MANUAL
817	P0559817	X-AXIS SCALE COVER
818	P0559818	Y-AXIS SCALE COVER
819	P0559819	COOLANT RETURN HOSE
820	P0559820	HALOGEN WORK LIGHT ASSY



Electrical Cabinet Breakdown & Parts List

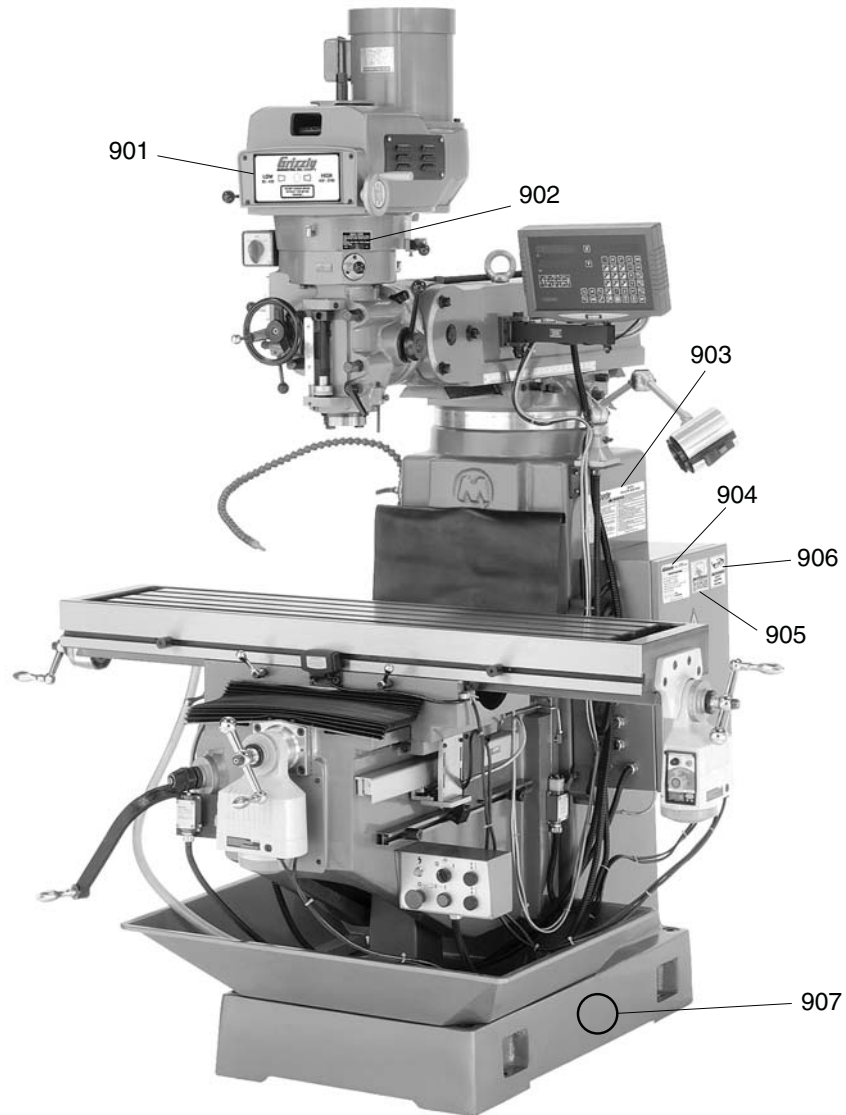


REF	PART #	DESCRIPTION
805	P0559805	TRANSFORMER JBK JB/T5555 220V
850	P0559850	WIRE MANAGEMENT ASSY
851	P0559851	OL RELAY DELIXI DZ108-20 220V
852	P0559852	FUSE HOLDER DELIXI RT-18-32N
853	P0559853	FUSE 6A

REF	PART #	DESCRIPTION
854	P0559854	CONTACTOR SHIHLIN S-P06 220V
855	P0559855	ELECTRICAL OUTLET 110V
856	P0559856	MAIN POWER SWITCH
857	P0559857	TERMINAL BLOCK 30-P
858	P0559858	CIRC. BREAKER DELIXI DZ47 220V



Label Placement



REF	PART #	DESCRIPTION
901	P0559901	SPEED READOUT LABEL
902	P0559902	DOWNFEED SELECTION LABEL
903	P0559903	WARNINGS LABEL
904	P0559904	MACHINE ID LABEL

REF	PART #	DESCRIPTION
905	PLABEL-12A	READ MANUAL LABEL
906	PLABEL-11A	EYE HAZARD LABEL
907	PPAINT-1	GRIZZLY GREEN TOUCH UP PAINT

WARNING

Safety labels warn about machine hazards and ways to prevent injury. The owner of this machine **MUST** maintain the original location and readability of the labels on the machine. If any label is removed or becomes unreadable, **REPLACE** that label before using the machine again. Contact Grizzly at (800) 523-4777 or www.grizzly.com to order new labels.

