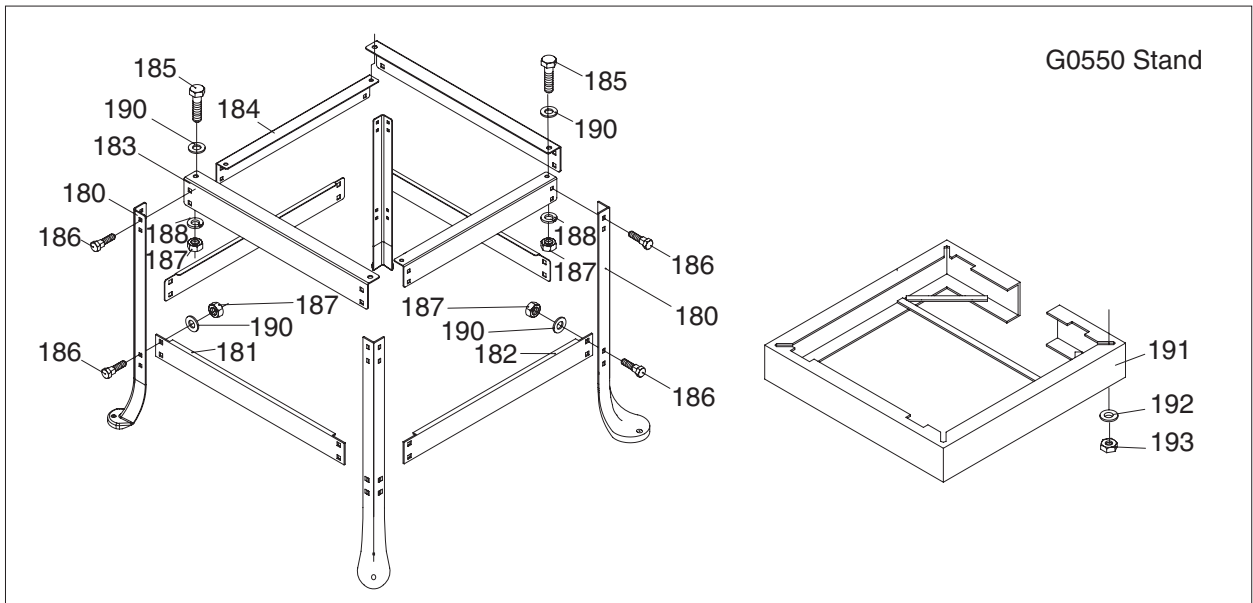




- ✓ 149
- ✓ 150
- ✓ 151
- ✓ 152
- 153
- 154

- 173
- 174
- 175
- 176
- 177
- 178
- 179



REF	PART #	DESCRIPTION
1	P0550001	PULLEY COVER
2	PVM27	V-BELT M-27 3L270
3	PB09M	HEX BOLT M8-1.25 X 20
4	PB01M	HEX BOLT M10-1.5 X 30
5	P0550005	SPECIAL WASHER
6	PW04M	FLAT WASHER 10MM
7	P0550007	CUTTERHEAD PULLEY
8	P0550008	BELT HOUSING
9	PK10M	KEY 5 X 5 X 12
10	P0550010	2 HP MOTOR (G0550)
10	P0551010	3 HP MOTOR (G0551)
10-1	P0550010-1	MOTOR FAN (G0550)
10-1	P0551010-1	MOTOR FAN (G0551)
10-2	P0550010-2	MOTOR FAN COVER (G0550)
10-2	P0551010-2	MOTOR FAN COVER (G0551)
10-3	P0550010-3	WIRING BOX (G0550)
10-3	P0551010-3	WIRING BOX (G0551)
10-4	P0550010-4	CAPACITOR COVER (G0550)
10-4	P0551010-4	CAPACITOR COVER (G0551)
10-5	P0550010-5	S CAPACITOR500M125V(G0550)
10-5	P0551010-5	S CAPACITOR500M125V(G0551)
11	P0550011	CLIP
12	PB13M	HEX BOLT M10-1.5 X 80
13	PFB01M	FLANGE BOLT M6-1 X 12
14	P0550014	SPACER
15	PB07M	HEX BOLT M8-1.25 X 25
16	P0550016	DUST CHUTE
17	PN03M	HEX NUT M8-1.25
18	PS14M	PHLP HD SCR M6-1 X 12
19	P0550019	MOTOR PLATE
20	PW01M	FLAT WASHER 8MM
21	PB118M	HEX BOLT M8-1.25 X 45
22	PW01M	FLAT WASHER 8MM
23	P0550023	CHAIN TENSIONER
24	P0550024	SHAFT
25	P0550025	TENSION WHEEL
26	P0550026	SHAFT
27	P0550027	SPRING
28	P0550028	HANGER
29	PSB04M	CAP SCREW M6-1 X 10
30	PN08M	HEX NUT M10-1.25
31	PW04M	FLAT WASHER 10MM
32	PW04M	FLAT WASHER 10MM
33	P0550033	HEIGHT HANDWHEEL
34	P0550034	HANDLE
35	P0550035	UPPER COVER
36	P0550036	CHIP DEFLECTOR
37	P0550037	COLUMN CAP
38	PSB05M	CAP SCREW M8-1.25 X 50
39	P0550039	LOCKING KNOB
40	P0550040	GIB
41	PB02M	HEX BOLT M6-1 X 12

REF	PART #	DESCRIPTION
42	P0550042	HEAD CASTING
43	P0550043	CHIP BREAKER SPRING
44	P0550044	TENSIONING SETSCREW
45	PSS11M	SET SCREW M6-1 X 16
46	PK09M	KEY 8 X 8 X 36
47	P0550047	CUTTERHEAD
48	P0550048	LOCKING ROD
49	P0550049	THREADED GIB
50	P0550050	PIN
51	P0550051	CHAIN COVER
52	P0550052	MAG SWITCH 220V, 2HP(G0550)
52	P0551052	MAG SWITCH 220V, 3HP(G0551)
52-1	P0550052-1	CONTACTOR MA-09 (G0550)
52-1	P0551052-1	CONTACTOR MA-18 (G0551)
52-2	P0550052-2	RELAY RA-20/12~18A (G0550)
52-2	P0551052-2	RELAY RA-30/18~26A (G0551)
52-3	P0550052-3	MAG SWITCH COVER (G0550)
52-3	P0551052-3	MAG SWITCH COVER (G0551)
52-4	P0550052-4	PLASTIC SWITCH SCREW
53	P0550053	DIRECTION SCALE
54	PSB01M	CAP SCREW M6-1 X 16
55	PSS14M	SET SCREW M8-1.25 X 12
56	P0550056	SPRING
57	P0550057	BUSHING BLOCK
58	P0550058	PLATE
59	PN01M	HEX NUT M6-1
60	P0550060	OUTFEED ROLLER
61	P0550061	DEPTH LIMITER
62	PFH30M	FLAT HD SCR M5-.8 X 8
63	PK01M	KEY 5 X 5 X 22
64	P9972609	RIVET 2X5
64-1	P0550064-1	POINTER
65	P0550065	SPROCKET
66	PW03M	FLAT WASHER 6MM
67	PB83M	HEX BOLT M6-1 X 16
68	P0550068	CHAIN
69	P6205	BALL BEARING 6205
70	P0550070	CHIP BREAKER
71	P0550071	CHIP BREAKER ADJUST ROD
72	P0550072	LOCKING KNOB
73	PECO5M	E-CLIP15MM
74	P0550074	SPACER
75	P0550075	ANTI-KICKBACK FINGER
76	P0550076	SHAFT
77	P0550077	INFEED ROLLER
78	P0550078	SPROCKET
79	PSB26M	CAP SCREW M6-1 X 12
80	P6204	BALL BEARING 6204
81	P0550081	GEAR
82	PSB06M	CAP SCREW M6-1 X 25
83	P6201	BALL BEARING 6201
84	P0550084	GEAR

REF	PART #	DESCRIPTION
85	P0550085	GEAR AND SHAFT
86	PK06M	KEY 5 X 5 X 10
87	P0550087	GEAR CASE
88	P0550088	PIN
89	P6201	BALL BEARING 6201
90	P0550090	GEAR, 2 SPEED
91	PK11M	KEY 6 X 6 X 40
92	P0550092	GEAR
93	P0550093	ROUND FEMALE KNOB
94	P0550094	CHAIN
95	P0550095	SPROCKET
96	P0550096	OIL PLUG
97	P0550097	OIL SEAL 28 X 40 X 8
98	P0550098	GEAR BOX
99	P0550099	GASKET
100	P0550100	DOUBLE GEAR
101	P0550101	SHAFT
102	P0550102	SPRING
103	P1021128	BALL 6MM
104	P0550104	OIL SEAL 25 X 47 X 6
105	P6204	BALL BEARING 6204
106	P0550106	ROLLER FRAME
107	P0550107	SHIFTER
108	P0550108	SHIFTER SHAFT
109	P0550109	O-RING 12MM
110	PK12M	KEY 5 X 5 X 30
111	P0550111	SPINDLE NUT
112	P0550112	ELEV. LEAD SCREW, SHORT
113	PSS04M	SET SCREW M6-1 X 12
114	P0550114	COLUMN
115	P0550115	COLUMN RING
116	P0550116	TABLE ROLLER SHAFT
117	P608ZZ	BALL BEARING 608
118	P0550118	TABLE ROLLER
119	PSS13M	SET SCREW M10-1.5 X 12
120	P0550120	CHAIN
121	PR05M	EXT RETAINING RING 15MM
122	P0550122	SPROCKET
123	P0550123	SHAFT
124	P0550124	IDLER BRACKET
125	P0550125	BASE
126	P6202	BALL BEARING 6202
127	PR21M	INT RETAINING RING 35MM
128	P0550128	SPROCKET
129	P0550129	SCALE
130	PS12M	PHLP HD SCR M3-.5 X 6
131	P0550131	COLUMN
132	PB26M	HEX BOLT M8-1.25 X 30
133	PR22M	INT RETAINING RING 38MM
134	P0550134	BUSHING
135	PK48M	KEY 4 X 4 X 20
136	P0550136	ELEVATION SPINDLE, LONG

REF	PART #	DESCRIPTION
137	PB02M	HEX BOLT M6-1 X 12
138	P0551138	STAND
139	P0551139	STAND DOOR
140	PN08	HEX NUT 3/8-16
141	P0551141	DOOR LOCK
142	P0551142	LOCKING KNOB
143	P0551143	FOOT
144	P0550144	SAFETY HATCH
145	PSB45M	CAP SCREW M8-1.25 X 45
146	PEC10M	E-CLIP 9MM
147	P0550147	KNIFE GAUGE
148	P0550148	KNIFE GAUGE ROD
149	PAW06M	ALLEN WRENCH 6MM
150	PAW05M	ALLEN WRENCH 5MM
151	PAW04M	ALLEN WRENCH 4MM
152	PAW03M	ALLEN WRENCH 3MM
153	PWR810	8 X 10 WRENCH
154	PWR1214	12 X 14 WRENCH
156	P0551156	PANEL PAD
157	P0550157	MOTOR PULLEY
160	PLW04M	LOCK WASHER 8MM
162	P0550162	SPRING
163	P0550163	JACK SCREW M5-.8 X 12
164	PLW04M	LOCK WASHER 8MM
165	P0550165	PLASTIC ROLLER BUSHING
166	PW03M	FLAT WASHER 6MM
168	P0550168	ROLLER ROD
169	P0550169	ROLLER
170	P0550170	STRAIGHT KNIFE, SET OF 3
171	P0550171	GIB BOLT
172	P0550172	GIB
173	P0550173	MACHINE ID LABEL (G0550)
173	P0551173	MACHINE ID LABEL (G0551)
174	PLABEL-12	READ MANUAL LABEL
175	PLABEL-15	EAR PROTECTION LABEL
176	PLABEL-37	RESPIRATOR/GLASSES LABEL
177	P0550177	UNPLUG LABEL
178	P0550178	BELT COVER LABEL
179	PLABEL-14	ELECTRICITY LABEL
180	P0550180	LEG
181	P0550181	LONG SIDE BRACE
182	P0550182	SHORT SIDE BRACE
183	P0550183	LONG TOP BRACE
184	P0550184	SHORT TOP BRACE
185	PB03	HEX BOLT 5/16-18 X 1
186	PCB02	CARRIAGE BOLT 5/16-18 X 1/2
187	PN02	HEX NUT 5/16-18
188	PLW04M	LOCK WASHER 8MM
190	PW01M	FLAT WASHER 8MM
191	P0550191	STAND TOP
192	PW01M	FLAT WASHER 8MM
193	PN03M	HEX NUT M8-1.25