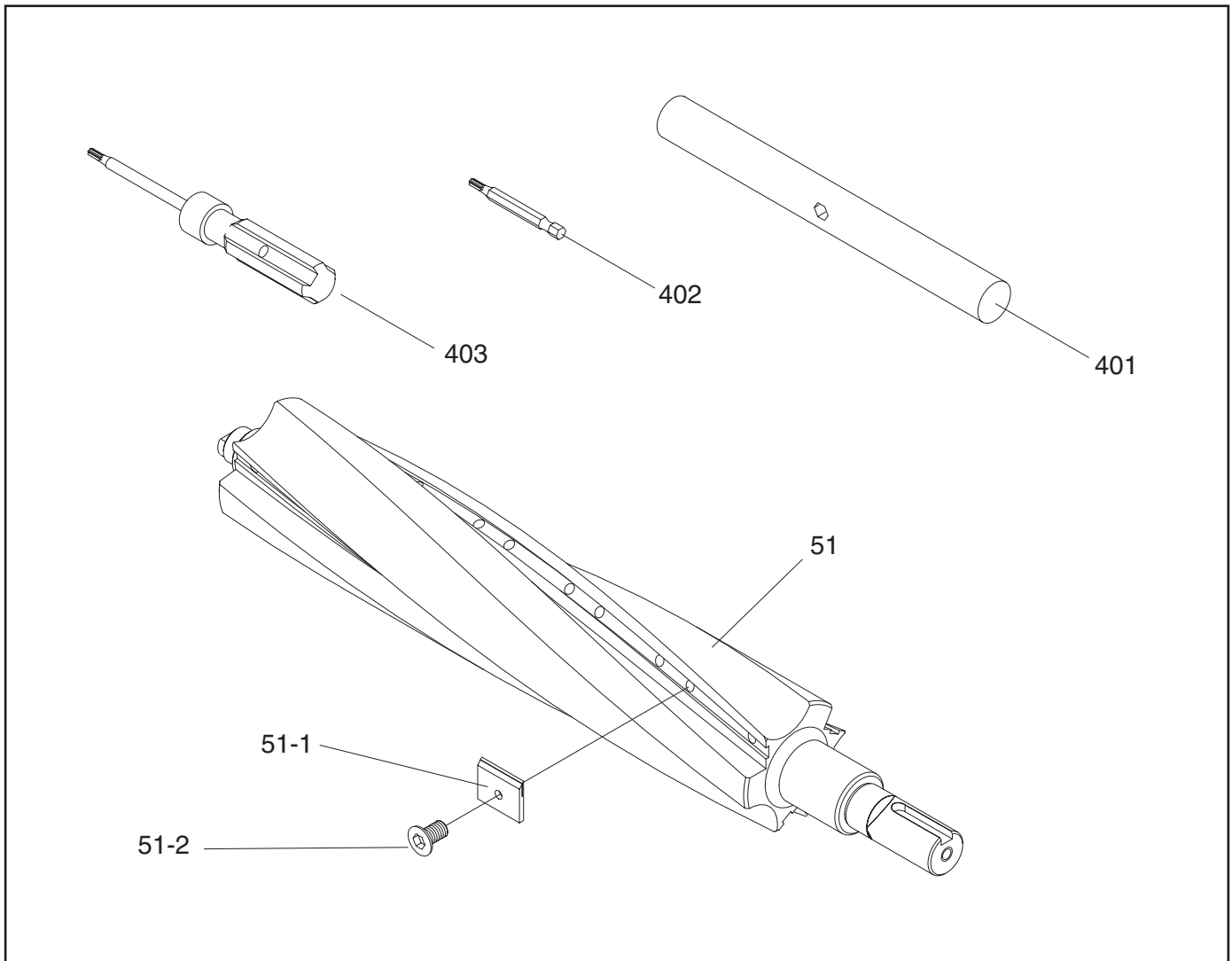


# G0544 Replacement Parts



REF	PART #	DESCRIPTION
51	P0544051	SPIRAL CUTTERHEAD
51-1	H2334	INDEXABLE CARBIDE INSERT
51-2	PFH35M	FLAT HD TORX T-20 M6-1 X 15
401	P9740Z1721	BREAKER BAR FOR TORX BIT
402	P9740Z1722	TORX BIT T-20
403	P9740Z1723	TORX DRIVER T-20

## **NOTICE**

All parts for the Model G0544, except those shown above, are the same as the Model G5850Z. Therefore, please use the included Model G5850Z manual when ordering new parts for your machine, unless those parts are shown above.