

Grizzly[®]

Industrial, Inc.

MODEL G0536 16" SCROLL SAW PARTS LIST



COPYRIGHT © OCTOBER 2003 BY GRIZZLY INDUSTRIAL, INC.

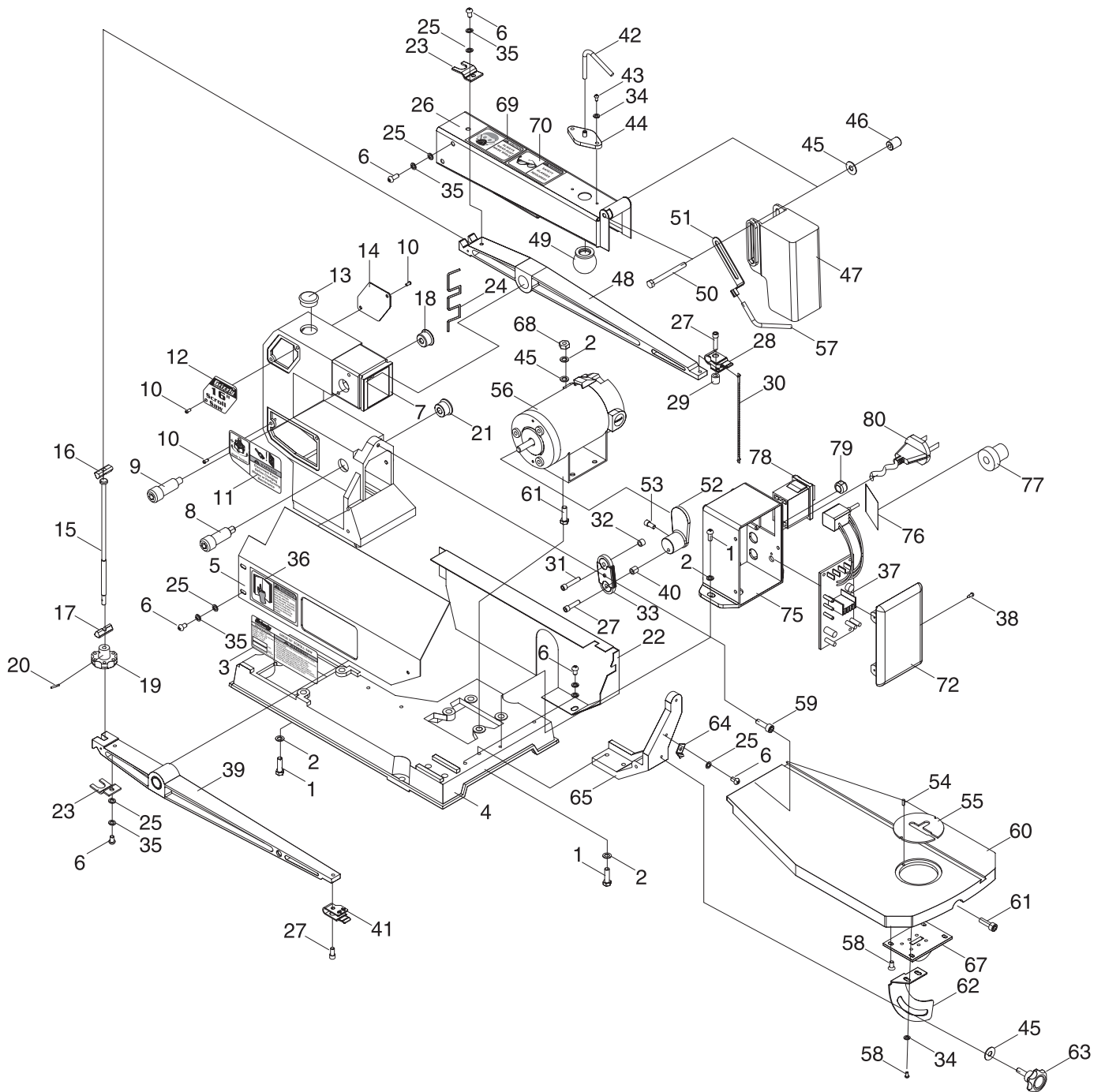
WARNING: NO PORTION OF THIS MANUAL MAY BE REPRODUCED IN ANY SHAPE OR FORM WITHOUT THE WRITTEN APPROVAL OF GRIZZLY INDUSTRIAL, INC.

#5763 PRINTED IN CHINA

ONLINE PARTS LIST DISCLAIMER

THESE PARTS REPRESENT THE CONFIGURATION OF THE MACHINE AS IT IS CURRENTLY BEING SHIPPED. THE MACHINE CONFIGURATION CAN CHANGE AS PRODUCT IMPROVEMENTS ARE INCORPORATED. IF YOU OWN AN EARLIER VERSION OF THE MACHINE, THIS PARTS LIST MAY NOT EXACTLY DEPICT YOUR MACHINE. CONTACT CUSTOMER SERVICE IF YOU HAVE ANY QUESTIONS ABOUT PART DIFFERENCES.

PREVIOUS PARTS LIST VERSIONS ARE NOT AVAILABLE ONLINE.



REF	PART #	DESCRIPTION
1	PB10M	Hex Bolt M6-1 x 25
2	PLW03M	Lock Washer 6mm
3	P0536003	Warning ID Label
4	P0536004	Lower Base
5	P0536005	Left Cover
6	PS09M	Phlp Hd Scr M5-.8 x 10
7	P0536007	Pillar Body
8	P0536008	Pin Shaft
9	P0536009	Pin Shaft
10	PS12M	Phlp Hd Scr M3-.5 X 6
11	P0536011	Unplug Warning
12	P0536012	Left Side Nameplate
13	P0536013	Plastic Cap
14	P0536014	Right Side Nameplate
15	P0536015	Screw Pole
16	P0536016	Expand Block
17	P0536017	Expand Block
18	P0536018	Bushing
19	P0536019	Blade Tension Knob (Female)
20	P0536020	Columned Pin
21	P0536021	Bushing
22	P0536022	Right Cover
23	P0536023	Pressure Plate
24	P0536024	Spring
25	PW02M	Flat Washer 5mm
26	P0536026	Upper Arm Guard
27	PSB81M	Cap Screw M5-.8 x 20
28	P0536028	Upper Blade Clip
29	P0536029	Spacer
30	P0536030	Blade
31	PSB95M	Cap Screw M5-.8 x 30
32	P0536032	Spacer
33	P0536033	Connecting Link
34	PW05M	Flat Washer 4mm
35	PLW01M	Lock Washer 5mm
36	P0536036	Read Manual Warning
37	P0536037	Circuit Board
38	PHTEK5M	Self-Tapping Screw M4-.7 x 12

REF	PART #	DESCRIPTION
39	P0536039	Lower Arm
40	P0536040	Spacer
41	P0536041	Lower Blade Clip
42	P0536042	Air Hose
43	PS38M	Phlp Hd Scr M4-.7 x 10
44	P0536044	Pressure Plate
45	PW03M	Flat Washer 6mm
46	P0536046	Knurled Nut 6mm
47	P0536047	Eye Guard
48	P0536048	Upper Arm
49	P0536049	Air Bellows
50	PB119M	Hex Bolt M6-1 x 60
51	P0536051	Retainer
52	P0536052	Rocker Arm
53	PSB26M	Cap Screw M6-1 x 12
54	PRP15M	Roll Pin 3mm x 8mm
55	P0536055	Table Insert
56	P0536056	Motor
57	P0536057	Dust Blower
58	PFH19M	Flat Head Screw M4-.7 x 10
59	P0536059	Axle Bolt M6-1
60	P0536060	Table
61	PSB02M	Cap Screw M6-1 x 20
62	P0536062	Table Tilt Scale
63	P0536063	Locking Knob M6-1 x 20
64	P0536064	Pointer
65	P0536065	Front Strut
67	P0536067	Lower Protection Guard
68	PN01M	Hex Nut M6-1
69	P0536069	Dust Mask Warning
70	P0536070	Safety Glasses Warning
72	P0536072	Switch Box Panel
75	P0536075	Switch Box
76	P0536076	Variable Speed Label
77	P0536077	Variable Speed Knob & Panel
78	P0536078	On/Off Switch
79	P0536079	Strain Relief
80	P0536080	Cord & Plug