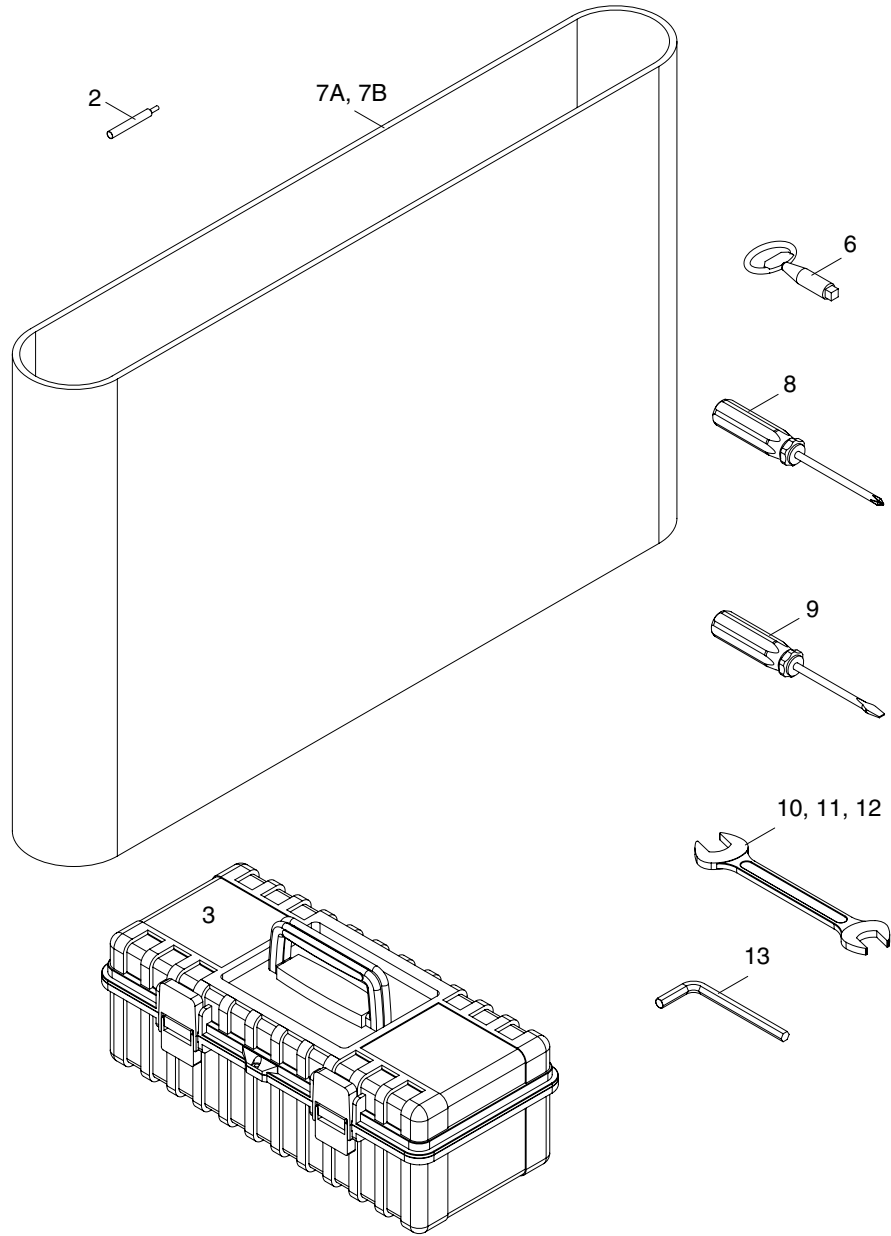
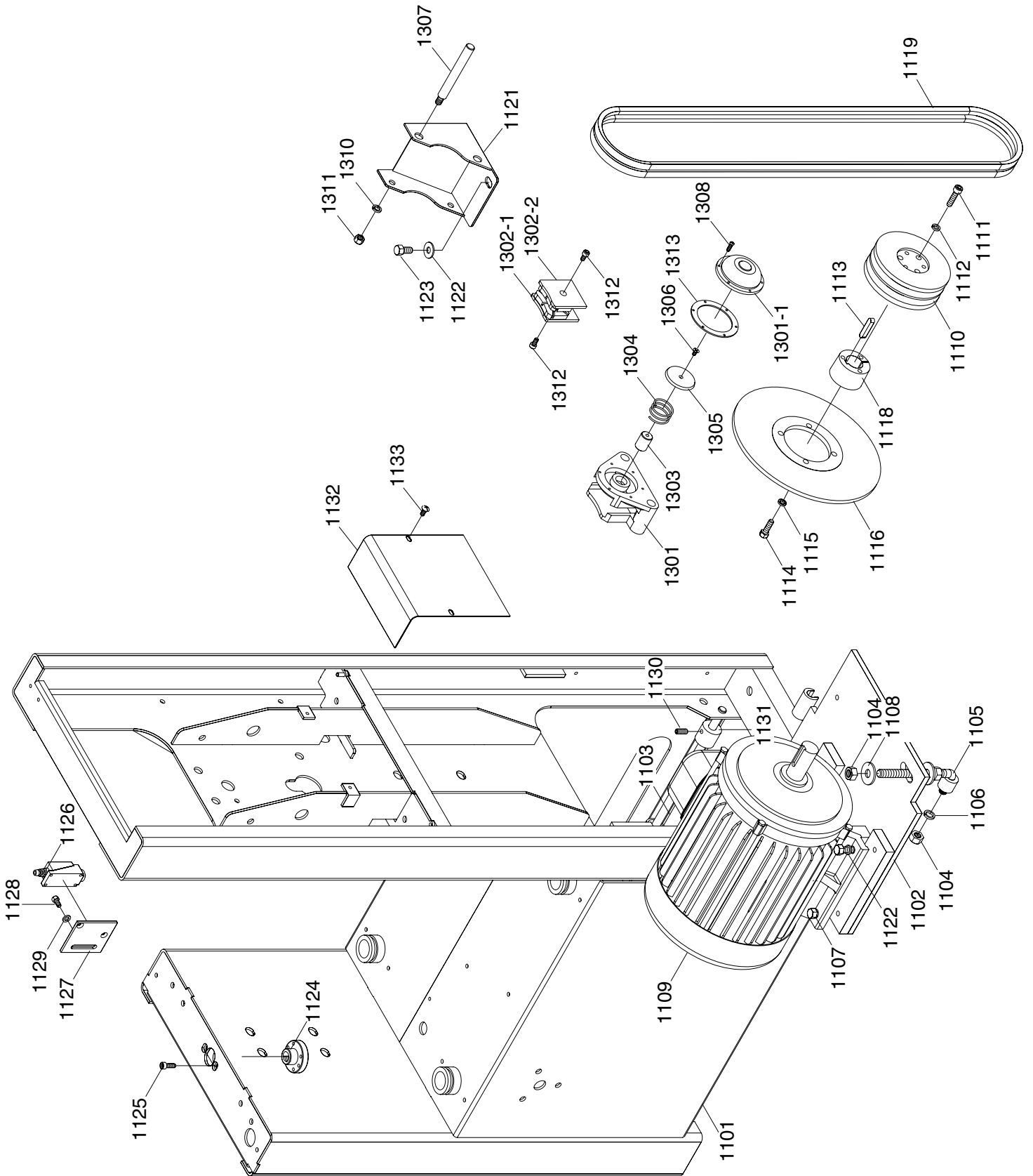


Parts Diagrams & Lists

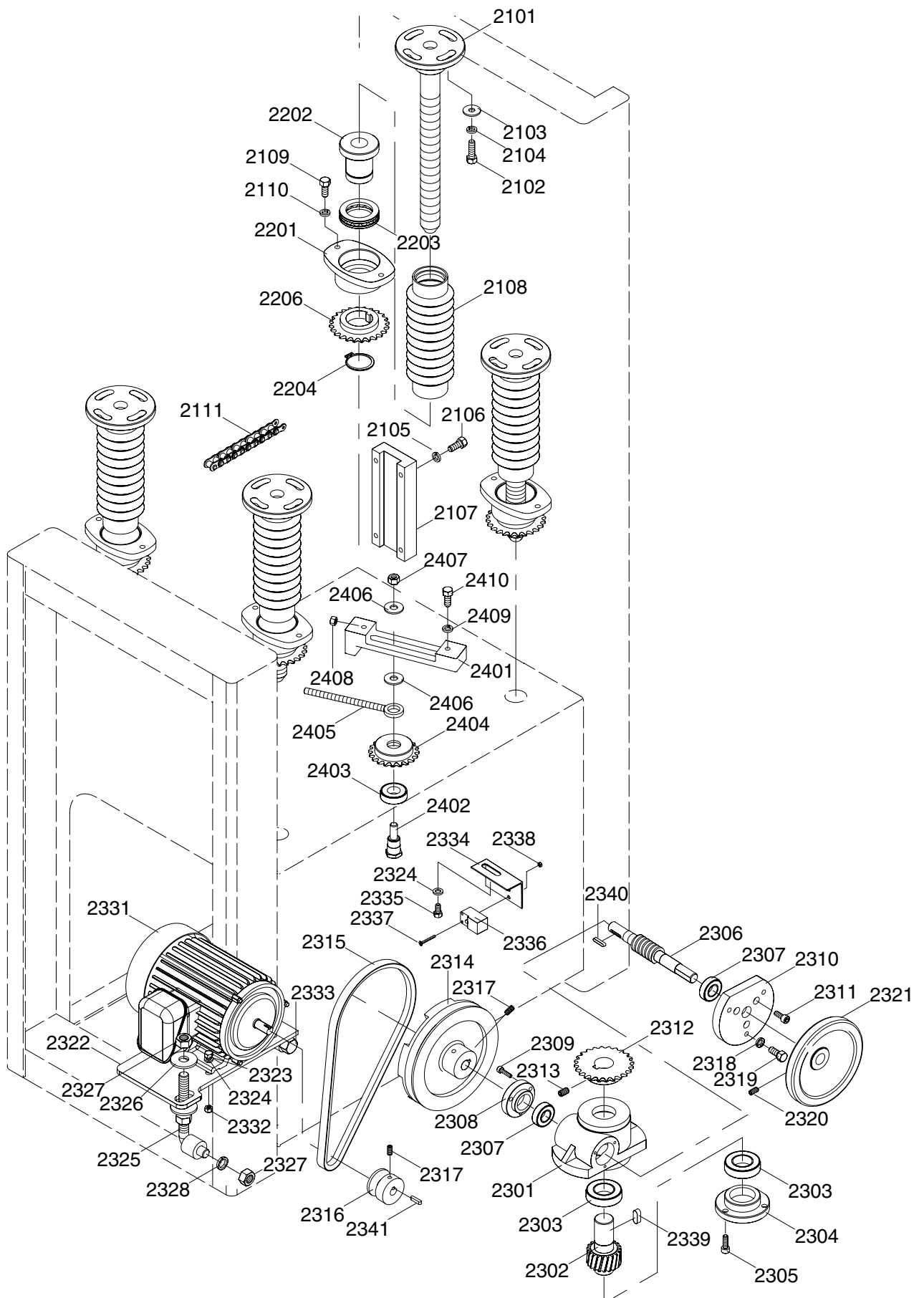


| REF | PART # | DESCRIPTION |
|-----|------------|--------------------------|
| 2 | P05270002 | LIMIT SWITCH TUBE |
| 3 | P05270003 | TOOL BOX |
| 6 | P05270006 | DOOR HANDLE |
| 7 | P05270007A | SANDING BELT (#100 GRIT) |
| 7 | P05270007B | SANDING BELT (#150 GRIT) |
| 8 | P99620008 | PHILLIP'S SCREWDRIVER |
| 9 | P99620009 | FLAT SCREWDRIVER |
| 10 | PWR810 | 8 x 10 WRENCH |
| 11 | PWR1214 | 12 x 14 WRENCH |
| 12 | PWR1719 | 17 x 19 WRENCH |
| 13 | P05270013 | HEX WRENCH SET |



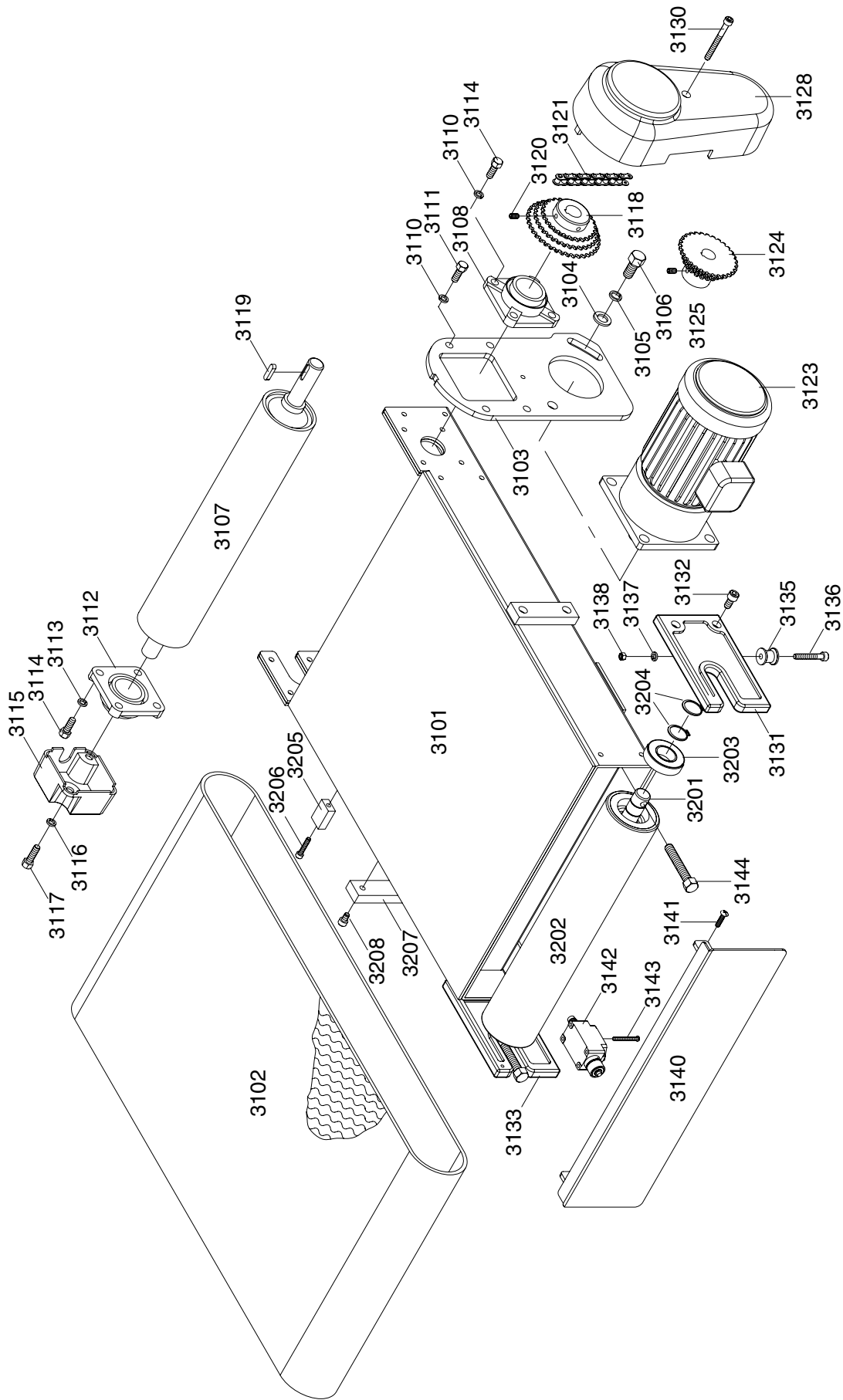
| REF | PART # | DESCRIPTION |
|--------|-------------|----------------------------|
| 1101 | P05271101 | MACHINE FRAME |
| 1102 | P05271102 | MOTOR BASE |
| 1103 | P05271103 | MOTOR BASE HINGE |
| 1104 | PN06 | HEX NUT 1/2-12 |
| 1105 | P05271105 | ADJUSTMENT ROD |
| 1106 | PLW07 | LOCK WASHER 1/2 |
| 1107 | PB24 | HEX BOLT 3/8-16 X 1 1/4" |
| 1108 | PW01 | FLAT WASHER 1/2" |
| 1109 | P05271109 | MOTOR 5 HP |
| 1109-1 | P05271109-1 | FAN COVER |
| 1109-2 | P05071109-2 | FAN |
| 1109-3 | PC600A | CAPACITOR 600MFD 250V |
| 1109-4 | PC030A | CAPACITOR 30UF 300W VAC |
| 1109-5 | P05271109-5 | CAPACITOR COVER |
| 1109-6 | P05271109-6 | WIRING COVER |
| 1110 | P05271110 | PULLEY |
| 1111 | PSB11 | CAP SCREW 5/16-18 X 1 1/4" |
| 1112 | PLW01 | LOCK WASHER 5/16" |
| 1113 | P05271113 | SLIDE |
| 1114 | PB03 | HEX BOLT 5/16-18 X 1" |
| 1115 | PLW01 | LOCK WASHER 5/16" |
| 1116 | P05271116 | DISC BRAKE |
| 1118 | P05271118 | PULLEY BUSHING |
| 1119 | PVA68 | V-BELT A-68 |
| 1121 | P05271121 | BRAKE BRACKET |

| REF | PART # | DESCRIPTION |
|--------|-------------|---------------------------|
| 1122 | PW02 | FLAT WASHER 3/8" |
| 1123 | PB21 | HEX BOLT 3/8-16 X 3/4" |
| 1124 | P05271124 | ELEVATION SCREW RING |
| 1125 | PSB05 | CAP SCREW 1/4-20 X 3/4" |
| 1126 | P05271126 | LIMIT SWITCH |
| 1127 | P05271127 | LIMIT SWITCH PLATE |
| 1128 | PB19 | HEX BOLT 1/4-20 X 1/2" |
| 1129 | PW06 | FLAT WASHER 1/4" |
| 1130 | PSS18 | SETSCREW 5/16-18 X 3/4" |
| 1131 | P05271131 | MOTOR BASE |
| 1132 | P05271132 | COVER OF PULLEY |
| 1133 | PS04 | PHLP HD SCR 1/4-20 X 1/2" |
| 1301 | P05271301 | BRAKE BRACKET |
| 1301-1 | P05271301-1 | BRACKET FRONT GUARD |
| 1302-1 | P05271302-1 | BRAKE LINING |
| 1302-2 | P05271302-2 | BRAKE LINING |
| 1303 | P05271303 | BRAKE ARBOR |
| 1304 | P05271304 | BRAKE LOCK |
| 1305 | P05271305 | BRAKE INSIDE PIECE |
| 1306 | PFH12M | FLAT HD SCR M6-1 X 25 |
| 1307 | P05271307 | BRAKE PIN |
| 1308 | PSB10M | CAP SCREW M5-.8 X 15 |
| 1310 | PLW04 | LOCK WASHER 3/8" |
| 1311 | PN08 | HEX NUT 3/8-16 |
| 1312 | PSB26M | CAP SCREW M6-1 x 12 |
| 1313 | P05271313 | BRAKE GASKET |



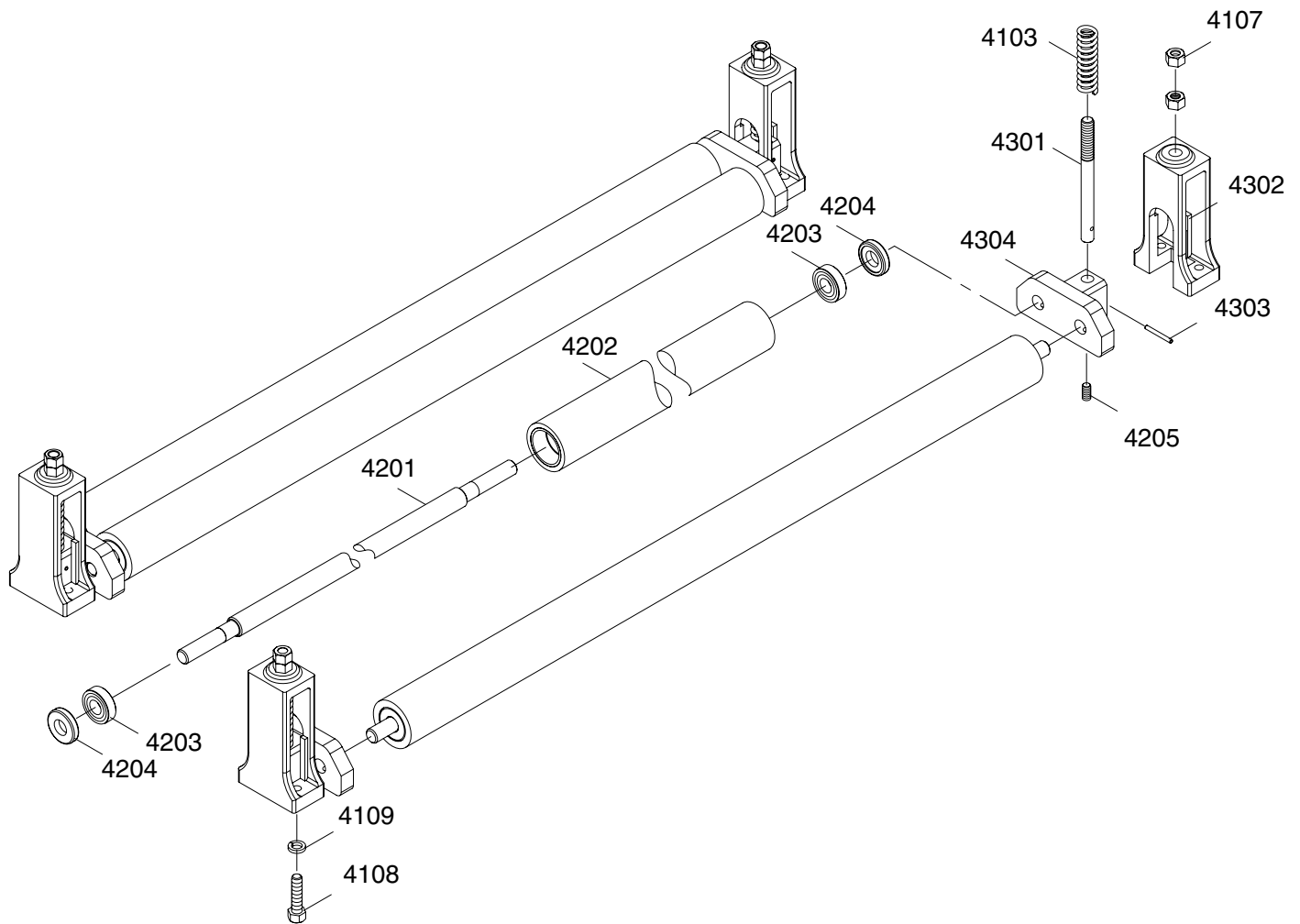
| REF | PART # | DESCRIPTION |
|------|-----------|-------------------------|
| 2101 | P05272101 | ELEVATION SCREW |
| 2102 | PB03 | HEX BOLT 5/16-18 x 1" |
| 2103 | PW07 | FLAT WASHER 5/16" |
| 2104 | PLW01 | LOCK WASHER 5/16" |
| 2105 | PLW04 | LOCK WASHER 3/8" |
| 2106 | PB18 | HEX BOLT 3/8-16 x 1" |
| 2107 | P05272107 | ELEVATION SLIDE |
| 2108 | P05272108 | DUST GUARD BELLOW |
| 2109 | PB07 | HEX BOLT 5/16-18 x 3/4" |
| 2110 | PLW01 | LOCK WASHER 5/16" |
| 2111 | P05272111 | CHAIN |
| 2201 | P05272201 | NUT HOUSING |
| 2202 | P05272202 | NUT |
| 2203 | P51107 | THRUST BEARING 51107 |
| 2204 | PEC11M | E-CLIP 35MM |
| 2206 | P05272206 | SPROCKET WHEEL |
| 2301 | P05272301 | ELEVATION GEAR BOX |
| 2302 | P05272302 | WORM GEAR |
| 2303 | P6005 | BEARING 6005Z |
| 2304 | P05272304 | BEARING CAP |
| 2305 | PSB05 | CAP SCREW 1/4-20 x 3/4" |
| 2306 | P05272306 | WORM SHAFT |
| 2307 | P6002 | BEARING 6002Z |
| 2308 | P05272308 | BEARING CAP |
| 2309 | PSB33 | CAP SCREW 10-24 x 3/4" |
| 2310 | P05272310 | BEARING CAP |
| 2311 | PSB01 | CAP SCREW 1/4-20 x 5/8" |
| 2312 | P05272312 | SPROCKET WHEEL |
| 2313 | PSS08 | SETSCREW 5/16-18 x 1/2" |
| 2314 | P05272314 | PULLEY |
| 2315 | PVA28 | V-BELT A-28 4L280 |
| 2316 | P05272316 | PULLEY |
| 2317 | PSS07 | SETSCREW 1/4-20 x 1/2" |
| 2318 | PLW01 | LOCK WASHER 5/16" |
| 2319 | PB32 | HEX BOLT 5/16-18 x 5/8" |
| 2320 | PSS07 | SETSCREW 1/4-20 x 1/2" |

| REF | PART # | DESCRIPTION |
|--------|-------------|--------------------------|
| 2321 | P05272321 | HAND WHEEL |
| 2322 | P05272322 | MOTOR BASE |
| 2323 | PB31 | HEX BOLT 1/4-20 x 1" |
| 2324 | PLW02 | LOCK WASHER 1/4" |
| 2325 | P05272325 | ADJUSTMENT ROD |
| 2326 | PW01 | FLAT WASHER 1/2" |
| 2327 | PN13 | HEX NUT 1/2-13 |
| 2328 | PLW07 | LOCK WASHER 1/2" |
| 2331 | P05272331 | MOTOR 1/3 HP |
| 2331-1 | P05272331-1 | FAN COVER |
| 2331-2 | P05072331-2 | FAN |
| 2331-3 | PC100A | CAPACITOR 100 MFD 250V |
| 2331-4 | P05272331-4 | CAPACITOR COVER |
| 2331-5 | P05272331-5 | WIRING COVER |
| 2332 | PN05 | HEX NUT 1/4-20 |
| 2333 | PB79 | HEX BOLT 1/2-13 x 4 1/2" |
| 2334 | P05272334 | SWITCH FIXING PLATE |
| 2335 | PB19 | HEX BOLT 1/4-20 x 1/2" |
| 2336 | P05272336 | PROXIMITY SWITCH |
| 2337 | PS55M | PHLP HD SCR M3-.5 x 35 |
| 2338 | PN07M | HEX NUT M3-.5 |
| 2339 | PK14 | KEY 5/16 x 5/16 x 3/4" |
| 2340 | PK48M | KEY 4 x 4 x 20MM |
| 2341 | PK38M | KEY 4 x 4 x 23MM |
| 2401 | P05272401 | ADJUSTMENT PIECE |
| 2402 | P05272402 | SPROCKET WHEEL SHAFT |
| 2403 | P6003 | BALL BEARING 6003ZZ |
| 2404 | P05272404 | SPROCKET WHEEL |
| 2405 | P05272405 | WHEEL ADJUSTMENT ROD |
| 2406 | PW02 | FLAT WASHER 3/8" |
| 2407 | PN08 | HEX NUT 3/8-16 |
| 2408 | PN02 | HEX NUT 5/16-18 |
| 2409 | PLW01 | LOCK WASHER 5/16" |
| 2410 | PB07 | HEX BOLT 5/16-18 x 3/4" |

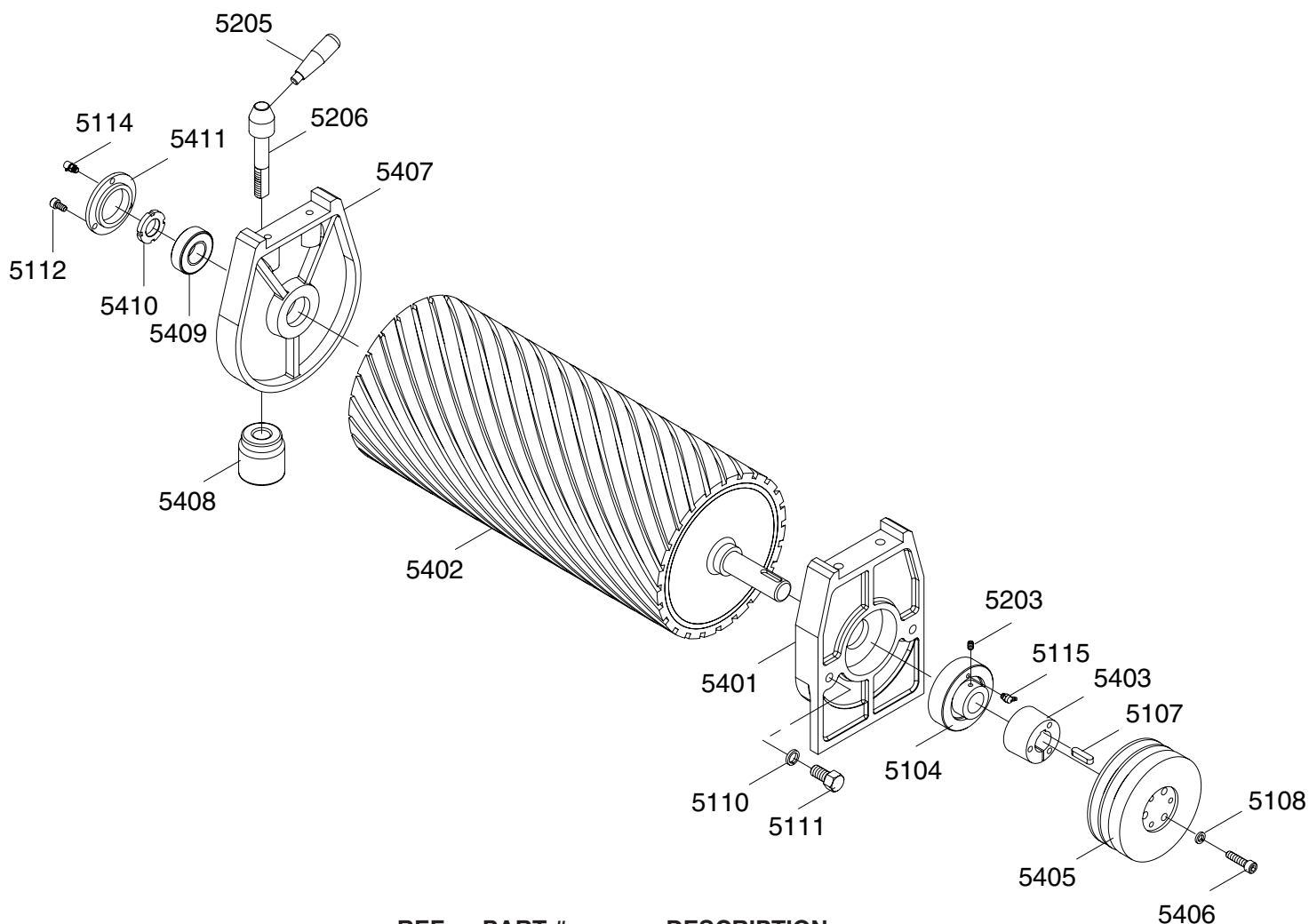


| REF | PART # | DESCRIPTION |
|--------|-------------|---------------------------|
| 3101 | P05273101 | CONVEYOR TABLE |
| 3102 | P05273102 | CONVEYOR BELT |
| 3103 | P05273103 | GEARBOX FIX PLATE |
| 3104 | PW10M | FLAT WASHER 14MM |
| 3105 | PLW08M | LOCK WASHER 14MM |
| 3106 | PB100M | HEX BOLT M14-2 x 30 |
| 3107 | P05273107 | OUTFEED ROLLER |
| 3108 | PUCF205 | BEARING UCF205 |
| 3110 | PLW04 | LOCK WASHER 3/8" |
| 3111 | PB18 | HEX BOLT 3/8-16 x 1" |
| 3112 | PUCF205 | BEARING UCF205 |
| 3113 | PLW04 | LOCK WASHER 3/8" |
| 3114 | PB18 | HEX BOLT 3/8-16 x 1" |
| 3115 | P05273115 | BEARING CAP |
| 3116 | PLW04 | LOCK WASHER 3/8" |
| 3117 | PB24 | HEX BOLT 3/8-16 x 1 1/4" |
| 3118 | P05273118 | SPROCKET WHEEL |
| 3119 | PK11 | KEY 5/16 x 5/16 X 1 3/16" |
| 3120 | PSS08 | SETSCREW 5/16-18 x 1/2" |
| 3121 | P05273121 | CHAIN |
| 3123 | P05273123 | 1/2 HP MOTOR |
| 3123-1 | P05273123-1 | FAN COVER |
| 3123-2 | P05073123-2 | FAN |
| 3123-3 | PC040UF | CAPACITOR 40UF 350V |
| 3123-4 | P05273123-4 | CAPACITOR COVER |

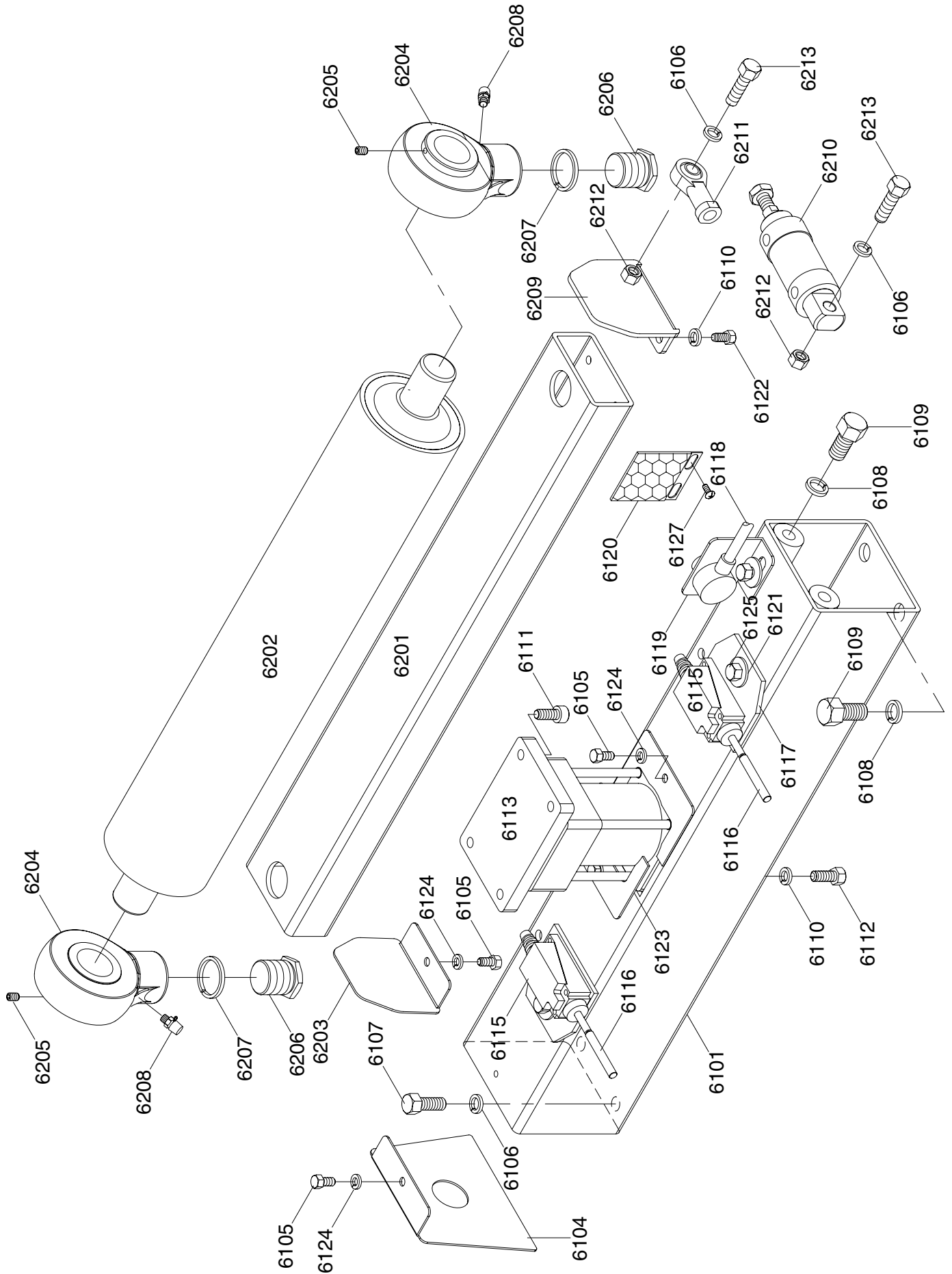
| REF | PART # | DESCRIPTION |
|--------|-------------|----------------------------|
| 3123-5 | P05273123-5 | WIRING COVER |
| 3124 | P05273124 | SPROCKET WHEEL |
| 3125 | PSS08 | SETSCREW 5/16-18 x 1/2" |
| 3128 | P05273128 | CHAIN GUARD |
| 3130 | PSB75 | CAP SCREW 5/16-18 x 3" |
| 3131 | P05273131 | INFEED ROLLER BRACKET |
| 3132 | PSB16 | CAP SCREW 3/8-16 x 3/4" |
| 3133 | P05273133 | INFEED ROLLER BRACKET |
| 3135 | P05273135 | CONVEYOR BELT WHEEL |
| 3136 | PSB70 | CAP SCREW 5/16-18 x 2" |
| 3137 | PLW01 | LOCK WASHER 5/16" |
| 3138 | PN02 | HEX NUT 5/16-18 |
| 3140 | P05273140 | FRONT BRAKE COVER |
| 3141 | PS19 | PHLP HD SCR 1/4-20 x 1" |
| 3142 | P05273142 | LIMIT SWITCH |
| 3143 | PS31 | PHLP HD SCR 10-24 x 1 3/4" |
| 3144 | PB74 | HEX BOLT 1/2-13 x 3" |
| 3201 | P05273201 | INFEED ROLLER SHAFT |
| 3202 | P05273202 | INFEED ROLLER |
| 3203 | P6206 | BALL BEARING 6206ZZ |
| 3204 | P05273204 | EXT. RETAINING RING 35MM |
| 3205 | P05273205 | ELEVATION LIMITER |
| 3206 | PSB32 | CAP SCREW 1/4-20 x 1 1/4" |
| 3207 | P05273207 | HOST PATH OF TABLE |
| 3208 | PSB30 | CAP SCREW 5/16-18 x 1/2" |



| REF | PART # | DESCRIPTION |
|------|-----------|---|
| 4103 | P05274103 | SPRING |
| 4107 | PN08 | HEX NUT $\frac{3}{8}$ "-16 |
| 4108 | PB07 | HEX BOLT $\frac{5}{16}$ -18 x $\frac{3}{4}$ " |
| 4109 | PLW01 | LOCK WASHER $\frac{5}{16}$ " |
| 4201 | P05274201 | PISTON ROLLER SHAFT |
| 4202 | P05274202 | PISTON ROLLER |
| 4203 | P6001 | BALL BEARING 6001ZZ |
| 4204 | P05274204 | SHAFT BEARING COLLAR |
| 4205 | PSS07 | SETSCREW $\frac{1}{4}$ -20 x $\frac{1}{2}$ " |
| 4301 | P05274301 | PISTON ROLLER ADJ. ROD |
| 4302 | P05274302 | PISTON BRACKET |
| 4303 | PRP55M | ROLL PIN 3 X 27MM |
| 4304 | P05274304 | PISTON SLIDERAIL |

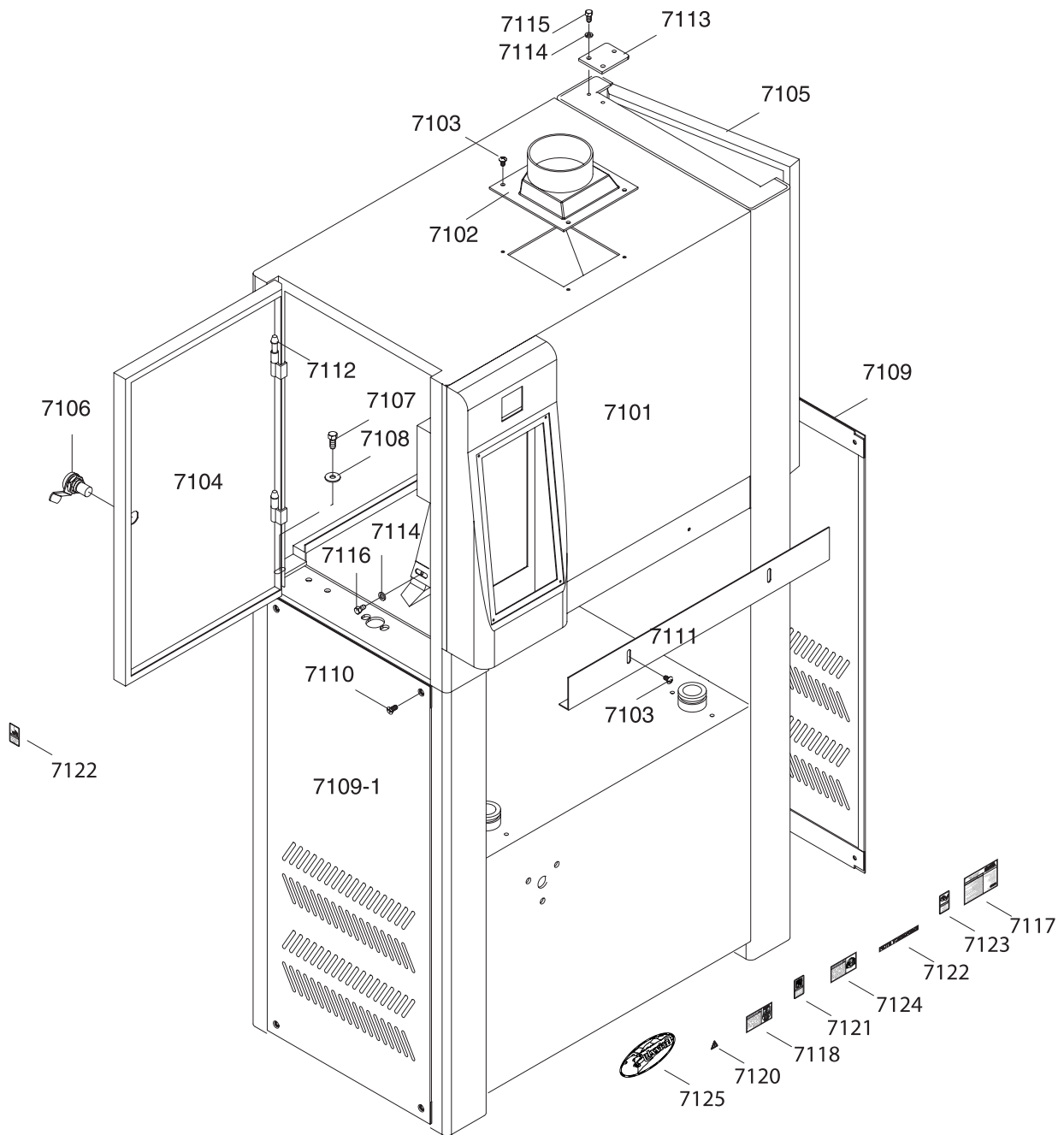


| REF | PART # | DESCRIPTION |
|------|-----------|-----------------------------|
| 5104 | P05275104 | BALL BEARING UCC205 |
| 5107 | PK11 | KEY 5/16 X 5/16 X 1 3/16" |
| 5108 | PLW01 | LOCK WASHER 5/16" |
| 5110 | PLW07 | LOCK WASHER 1/2" |
| 5111 | PB78 | HEX BOLT 1/2-13 x 1 1/4" |
| 5112 | PSB04 | CAP SCREW 1/4-20 x 1/2" |
| 5114 | P05275114 | FILTER |
| 5115 | P05275115 | PT 1/16" 90° GREASE FITTING |
| 5203 | PSB85M | CAP SCREW M6-1 x 6" |
| 5205 | P05275205 | HANDLE |
| 5206 | P05275206 | HOLD DOWN ROD |
| 5401 | P05275401 | BEARING HOUSING |
| 5402 | P05275402 | RUBBER ROLLER |
| 5403 | P05275403 | FASTENING TUBE |
| 5405 | P05275405 | PULLEY |
| 5406 | PSB11 | CAP SCREW 5/16"-18 x 1 1/4" |
| 5407 | P05275407 | BEARING HOUSING |
| 5408 | P05275408 | BEARING BRACKET PAD |
| 5409 | P6205 | BALL BEARING 6205-2RS |
| 5410 | P05275410 | RING |
| 5411 | P05275411 | BEARING CAP |



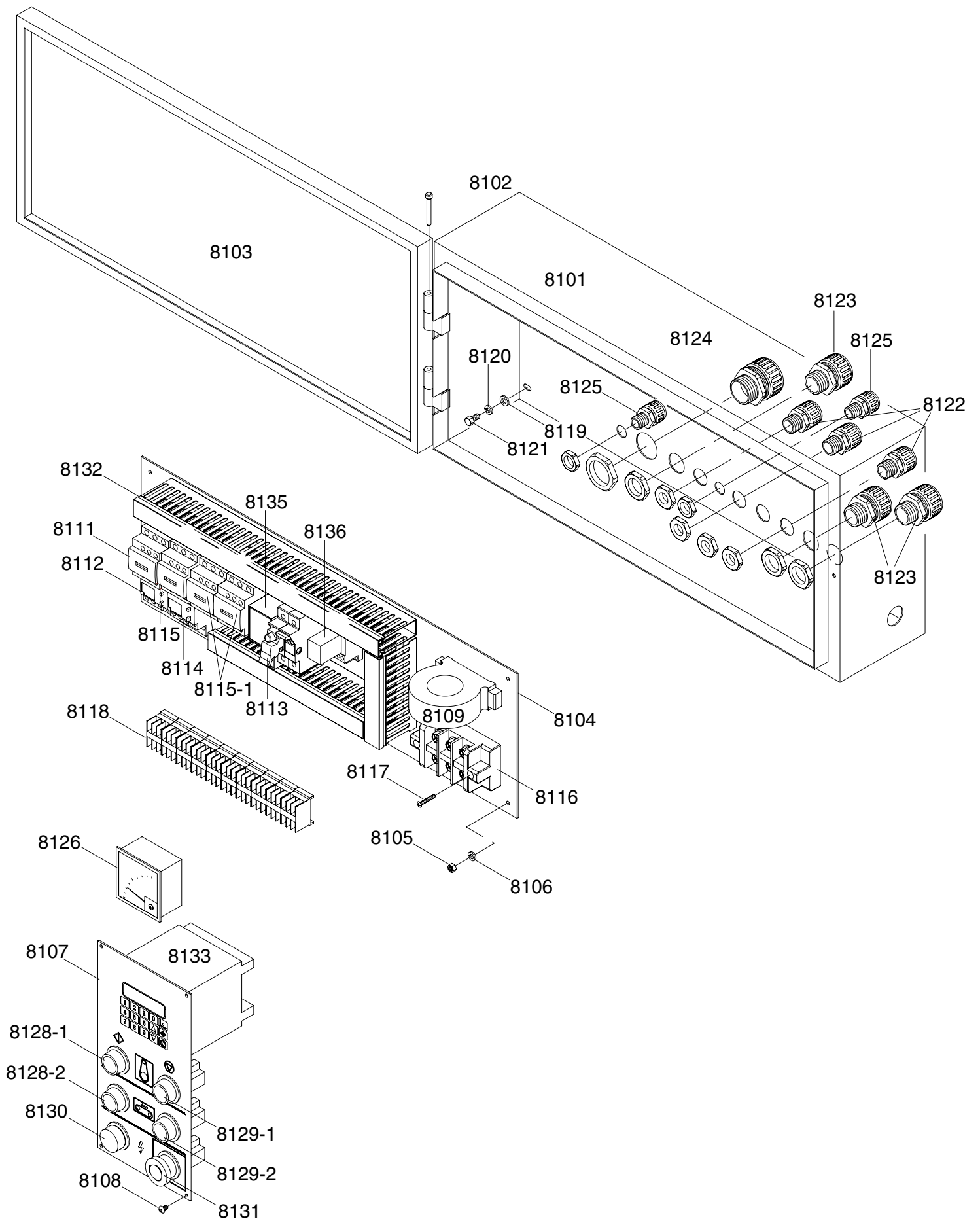
| REF | PART # | DESCRIPTION |
|------|-----------|--------------------------|
| 6101 | P05276101 | SQUARE FRAME |
| 6104 | P05276104 | SQUARE FRAME SEAL (LEFT) |
| 6105 | PB193 | HEX BOLT 1/4-20 x 1/2" |
| 6106 | PLW04 | LOCK WASHER 3/8" |
| 6107 | PB18 | HEX BOLT 3/8-16 x 1" |
| 6108 | PLW07 | LOCK WASHER 1/2" |
| 6109 | PB52 | HEX BOLT 1/2-13 x 1" |
| 6110 | PLW01 | LOCK WASHER 5/16" |
| 6111 | PSB07 | CAP SCREW 5/16-18 x 3/4" |
| 6112 | PB09M | HEX BOLT M8-1.25 x 20 |
| 6113 | P05276113 | AIR CYLINDER |
| 6115 | P05276115 | LIMIT SWITCH |
| 6116 | P05276116 | LIMIT SWITCH TUBE |
| 6117 | P05276117 | LIMIT SWITCH HOLDER |
| 6118 | P05276118 | SENSOR |
| 6119 | P05276119 | SENSOR PLATE |
| 6120 | P05276120 | MIRROR OF SENSOR |
| 6121 | PW07 | FLAT WASHER 5/16" |
| 6122 | PB09 | HEX BOLT 5/16-18 x 1/2" |

| REF | PART # | DESCRIPTION |
|------|-----------|----------------------------|
| 6123 | P05276123 | COVER OF AIR CYLINDER |
| 6124 | PLW02 | LOCK WASHER 1/4" |
| 6125 | PB07 | HEX BOLT 5/16-18 x 3/4" |
| 6127 | PS07M | PHLP HD SCR M4-.7 x 8 |
| 6201 | P05276201 | UPPER ROLLER BRACKET |
| 6202 | P05276202 | UPPER ROLLER |
| 6203 | P05276203 | COVER UPPER ROLLER (LEFT) |
| 6204 | P05276204 | BALL BEARING UCECH206 |
| 6205 | PSS02M | SETSCREW M6-1 x 6 |
| 6206 | P05276206 | CAP SCREW 3/4-16 x 1" |
| 6207 | P05276207 | RING |
| 6208 | P05276208 | ANGLED GREASE FITTING |
| 6209 | P05276209 | COVER UPPER ROLLER (RIGHT) |
| 6210 | P05276210 | AIR CYLINDER |
| 6211 | P05276211 | BALL BEARING PHS-10 |
| 6212 | PN08 | HEX NUT 3/8-16 |
| 6213 | PB24 | HEX BOLT 3/8-16 x 1 1/4" |



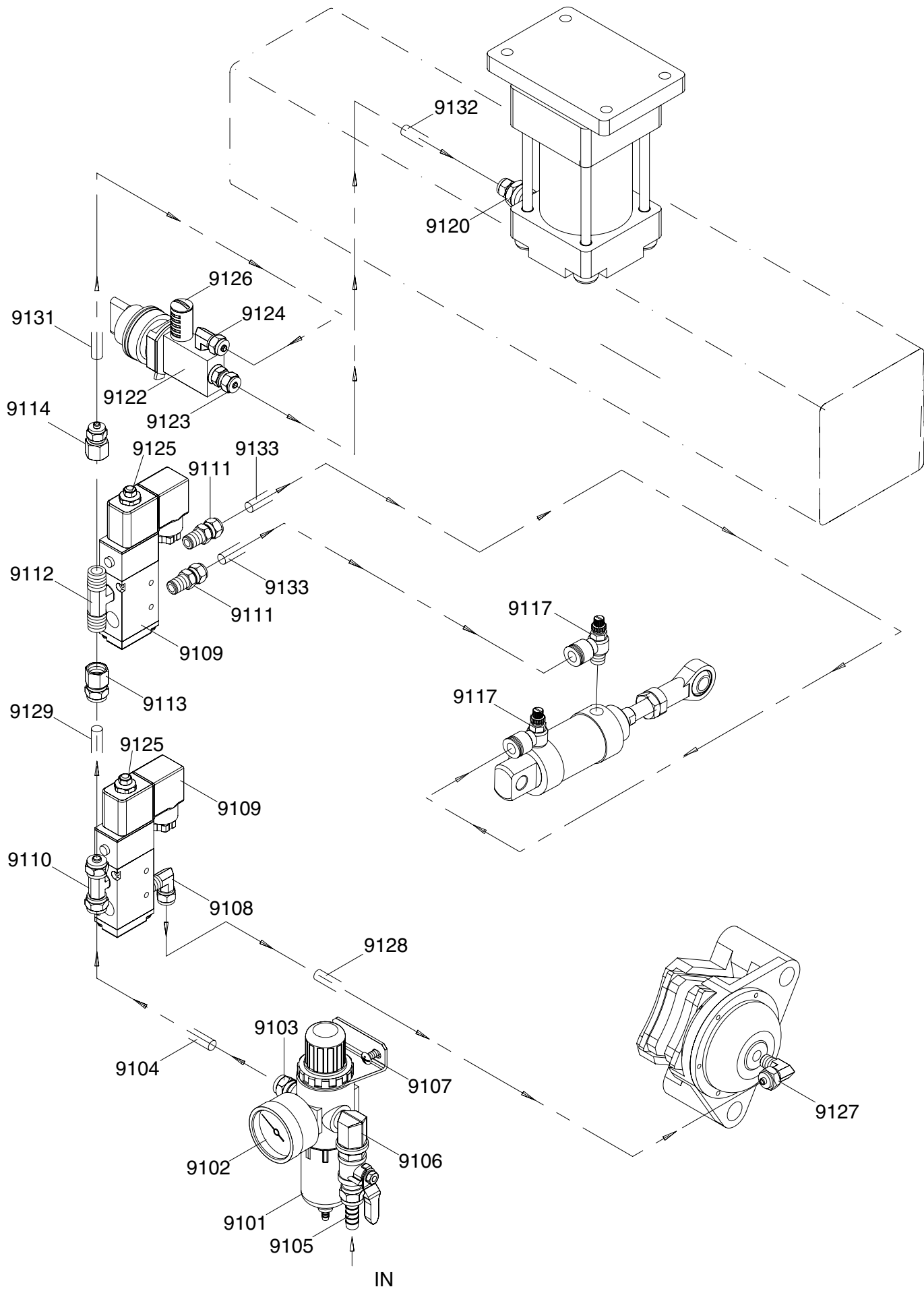
| REF | PART # | DESCRIPTION |
|--------|-------------|---------------------------|
| 7101 | P05277101 | UPPER FRAME COVER |
| 7102 | P05277102 | DUST HOOD 4" |
| 7103 | PS24M | PHLP HD SCR M6-1 x 10 |
| 7104 | P05277104 | LEFT DOOR, UPPER FRAME |
| 7105 | P05277105 | RIGHT DOOR, UPPER FRAME |
| 7106 | P05277106 | DOOR LOCK |
| 7107 | PB03 | HEX BOLT 5/16-18 x 1" |
| 7108 | PW07 | FLAT WASHER 5/16" |
| 7109 | P05277109 | RIGHT DOOR, LOWER FRAME |
| 7109-1 | P05277109-1 | LEFT DOOR, LOWER FRAME |
| 7110 | PS04 | PHLP HD SCR 1/4-20 x 1/2" |
| 7111 | P05277111 | PROTECTION AL PLATE |
| 7112 | P05277112 | HINGE |

| REF | PART # | DESCRIPTION |
|------|-----------|------------------------|
| 7113 | P05277113 | PLATE |
| 7114 | PLW02 | LOCK WASHER 1/4" |
| 7115 | PB19 | HEX BOLT 1/4-20 x 1/2" |
| 7116 | PB02M | HEX BOLT M6-1 x 12 |
| 7117 | P05277117 | MACHINE ID LABEL |
| 7118 | P05277118 | FEED ONE PIECE LABEL |
| 7119 | PLABEL-13 | UNPLUG LABEL (2) |
| 7120 | PLABEL-14 | ELECTRICITY LABEL |
| 7121 | PLABEL-12 | READ MANUAL LABEL |
| 7122 | P05277122 | EMERGENCY STOP LABEL |
| 7123 | PLABEL-11 | SAFETY GLASSES LABEL |
| 7124 | P05277124 | NO STANDING LABEL |
| 7125 | G8589 | CAST LOGO |



| REF | PART # | DESCRIPTION |
|--------|-----------|-------------------------|
| 8101 | P05278101 | ELECTRICAL CONTROL BOX |
| 8102 | P05278102 | HINGE |
| 8103 | P05278103 | CONTROL BOX OF DOOR |
| 8104 | P05278104 | BASE PLATE |
| 8105 | PN05 | HEX NUT 1/4-20 |
| 8106 | PLW02 | LOCK WASHER 1/4" |
| 8107 | P05278107 | CONTROL PANEL |
| 8108 | PS07M | PHLP HD SCR M4-.7 x 8 |
| 8109 | P05278109 | CURRENT DEVICE |
| 8111 | P05278111 | CONTACTOR LC1D386M7 |
| 8112 | P05278112 | RELAY LRD356 (30-38A) |
| 8113-1 | P05278113 | 4A FUSE |
| 8114 | P05278114 | RELAY LR3D-086 (2.5-4A) |
| 8115 | P05278115 | CONTACTOR LC1D96M7 |
| 8116 | P05278116 | POWER WIRE TERMINAL |
| 8117 | PS51M | PHLP HD SCR M4-.7 x 30 |
| 8118 | P05278118 | TERMINAL PLATE |
| 8119 | PW06 | FLAT WASHER 1/4" |

| REF | PART # | DESCRIPTION |
|--------|-------------|--------------------------|
| 8120 | PLW02 | LOCK WASHER 1/4" |
| 8121 | PB19 | HEX BOLT 1/4-20 x 1/2" |
| 8122 | P05278122 | PU CONNECTOR 1/2" |
| 8123 | P05278123 | PU CONNECTOR 3/4" |
| 8124 | P05278124 | CABLE CONNECTOR 1" |
| 8125 | P05278125 | PU CONNECTOR 3/8" |
| 8126 | P05278126 | AMP METER |
| 8128-1 | P05278128-1 | START SWITCH |
| 8128-2 | P05278128-2 | START SWITCH |
| 8129-1 | P05278129-1 | STOP SWITCH |
| 8129-2 | P05278129-2 | STOP SWITCH |
| 8130 | P05278130 | POWER INDICATION LIGHT |
| 8131 | P05278131 | EMERGENCY STOP SWITCH |
| 8132 | P05278132 | WIRE COLUMN |
| 8133 | P05278133 | COMPUTER |
| 8135 | P05278135 | CONTROLLER UNIT |
| 8136 | P05278136 | RELAY |
| 8137 | P05278137 | CNTAC. LC1D96M7 (W/LOCK) |



| REF | PART # | DESCRIPTION |
|------|-----------|---------------------------------|
| 9101 | P05279101 | FILTER CUP 1/4" |
| 9102 | P05279102 | PRESSURE REGULATOR 1/4" |
| 9103 | P05279103 | BRONZE CONN. 1/4"T x 5/16"N |
| 9104 | P05279104 | FLEXIBLE HOSE 8MM |
| 9105 | P05279105 | AIR SWITCH 1/4" |
| 9106 | P05279106 | ELBOW 1/4"T x 5/16"N |
| 9107 | PS22 | PHLP HD SCR 10-24 x 5/8" |
| 9108 | P05279108 | ELBOW 1/4" x 1/8"T |
| 9109 | P05279109 | SOLENOID VALVE |
| 9110 | P05279110 | T-JOINT 5/16"N x 1/8"T x 5/16"N |
| 9111 | P05279111 | PLASTIC CONN. 1/4" N x 1/4"T |
| 9112 | P05279112 | T-JOINT 1/4"T x 1/4"T x 1/4"T |
| 9113 | P05279113 | PLASTIC CONN. 5/16"N x 1/4"T |
| 9114 | P05279114 | PLASTIC CONN. 1/4"N x 1/4"T |

| REF | PART # | DESCRIPTION |
|------|-----------|---------------------------------|
| 9117 | P05279117 | THROTTLE VALVE 1/8" |
| 9120 | P05279120 | PLASTIC CONN. 1/4"N x 3/8"T |
| 9122 | P05279122 | AIR SWITCH 1/8" |
| 9123 | P05279123 | PLASTIC CONN. 1/4"N x 1/8"T |
| 9124 | P05279124 | PLASTIC CONN. 1/4"N x 1/8"T-90° |
| 9125 | P05279125 | BUFFER 1/8" |
| 9126 | P05279126 | SILENCER 1/8" |
| 9127 | P05279127 | PLASTIC CONN. 5/16"N x 1/8"T |
| 9128 | P05279128 | FLEXIBLE HOSE 8MM |
| 9129 | P05279129 | FLEXIBLE HOSE 8MM |
| 9131 | P05279131 | FLEXIBLE HOSE 6MM |
| 9132 | P05279132 | FLEXIBLE HOSE 6MM |
| 9133 | P05279133 | FLEXIBLE HOSE 6MM |