

Grizzly **Industrial, Inc.**®

DRUM / FLAP SANDER MODEL G0518 PARTS LIST



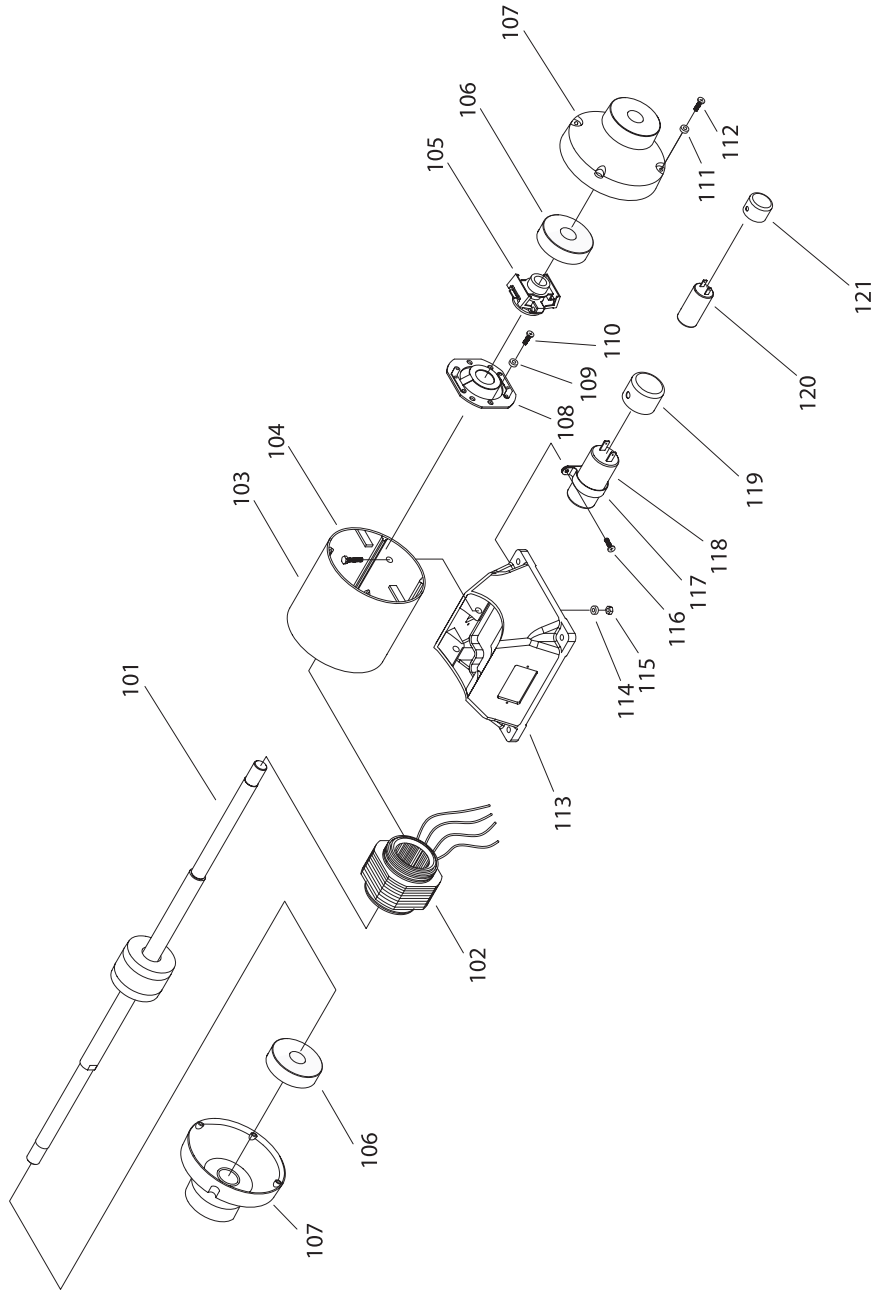
COPYRIGHT © JANUARY 2003 BY GRIZZLY INDUSTRIAL, INC
**WARNING: NO PORTION OF THIS MANUAL MAY BE REPRODUCED IN ANY SHAPE
OR FORM WITHOUT THE WRITTEN APPROVAL OF GRIZZLY INDUSTRIAL, INC.**
PRINTED IN TAIWAN

ONLINE PARTS LIST DISCLAIMER

THESE PARTS REPRESENT THE CONFIGURATION OF THE MACHINE AS IT IS CURRENTLY BEING SHIPPED. THE MACHINE CONFIGURATION CAN CHANGE AS PRODUCT IMPROVEMENTS ARE INCORPORATED. IF YOU OWN AN EARLIER VERSION OF THE MACHINE, THIS PARTS LIST MAY NOT EXACTLY DEPICT YOUR MACHINE. CONTACT CUSTOMER SERVICE IF YOU HAVE ANY QUESTIONS ABOUT PART DIFFERENCES. PREVIOUS PARTS LIST VERSIONS ARE NOT AVAILABLE ONLINE.

REF	PART #	DESCRIPTION
1	PSB14M	CAP SCREW M8-1.25 X 20
2	PLW04M	LOCK WASHER 8MM
3	PW01M	FLAT WASHER 8MM
4	P0518004	ACRYLIC EYE SHIELD
5	P0518005	DUST HOOD
6	P0518006	ACRYLIC EYE SHIELD
7	P0518007	DUST HOOD BRACKET
8	P0518008	PLUG
9	PSB12M	CAP SCREW M8-1.25 X 40
10	P0518010	BASE
11	P0518011	DOOR LATCH ASSEMBLY
12	P0518012	DOOR COVER
13	PW05M	FLAT WASHER 4MM
14	PS17M	PHLP HD SCR M4-0.7 X 6
15	P0518015	STAND
16	PFN01M	HEX FLANGE NUT M8-1.25
17	PN22	HEX NUT 1"-8
18	P0518018	BUSHING

REF	PART #	DESCRIPTION
19	P0518019	BRUSH
20	P0518020	1 HP MOTOR
21	P0518021	PLATE
22	PS08M	PHLP HD SCR M5-0.8 X 12
23	P0518023	STRAIN RELIEF
24	PWRCRD110L	POWER CORD 110V
25	P0518025	SANDING DRUM
26	PS06M	PHLP HD SCR M5-0.8 X 20
27	P0518027	POWER SWITCH
28	P0518028	PLASTIC DISC PAD
29	PN18	HEX NUT 1"-8 LH
30	PLW01M	LOCK WASHER 5MM
31	P0518031	FOAM
32	P0518032	MACHINE ID LABEL
33	P0518033	ROTATION LABEL
34	PLABEL-14	ELECTRICITY LABEL
35	PLABEL-12	READ MANUAL LABEL
36	PLABEL-11	SAFETY GLASSES LABEL



REF	PART #	DESCRIPTION
101	P0518101	MOTOR SHAFT
102	P0518102	STATOR WINDING
103	P0518103	MOTOR BODY
104	PB09M	HEX BOLT M8-1.25 X 20
105	P0518105	CENTRIFUGAL SWITCH
106	P6206	BALL BEARING 6206
107	P0518107	MOTOR COVER
108	P0518108	SPRING PLATE
109	PLW01M	LOCK WASHER 5MM
110	PS18	PHLP HD SCR #10-24 X 1/4
111	PLW03M	LOCK WASHER 6MM

REF	PART #	DESCRIPTION
112	PS35	PHLP HD SCR 5/16" X 3/4"
113	P0518113	MOTOR BASE
114	PLW04M	LOCK WASHER 8MM
115	P0518115	HEX NUT M8-1.25
116	PS18	PHLP HD SCR #10-24 X 1/4
117	P0518117	CAPACITOR CLAMP
118	P0518118	CAPACITOR
119	P0518119	CAPACITOR COVER
120	P0518120	CAPACITOR
121	P0518121	CAPACITOR COVER
122	P0518122	CAPACITOR CLAMP