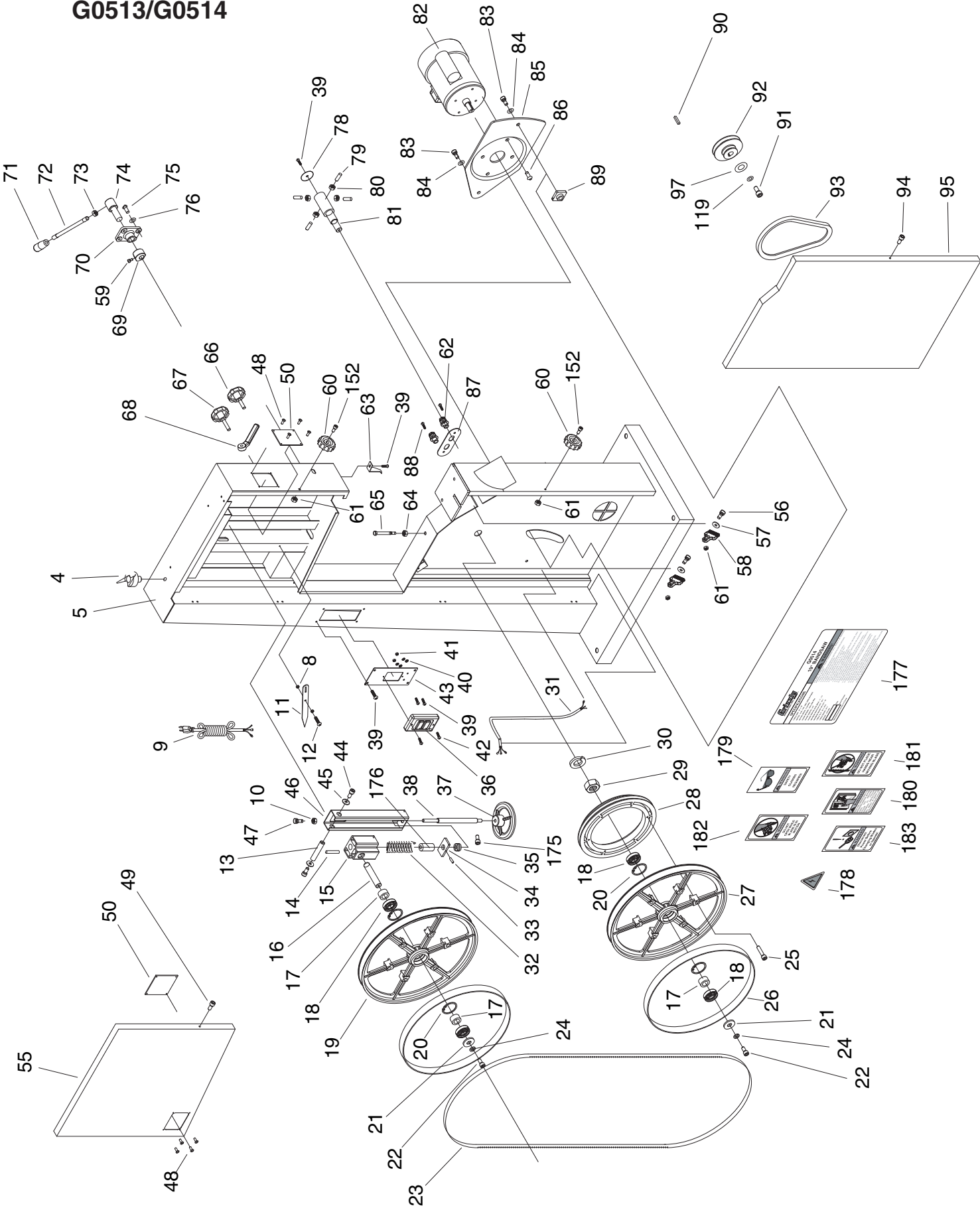
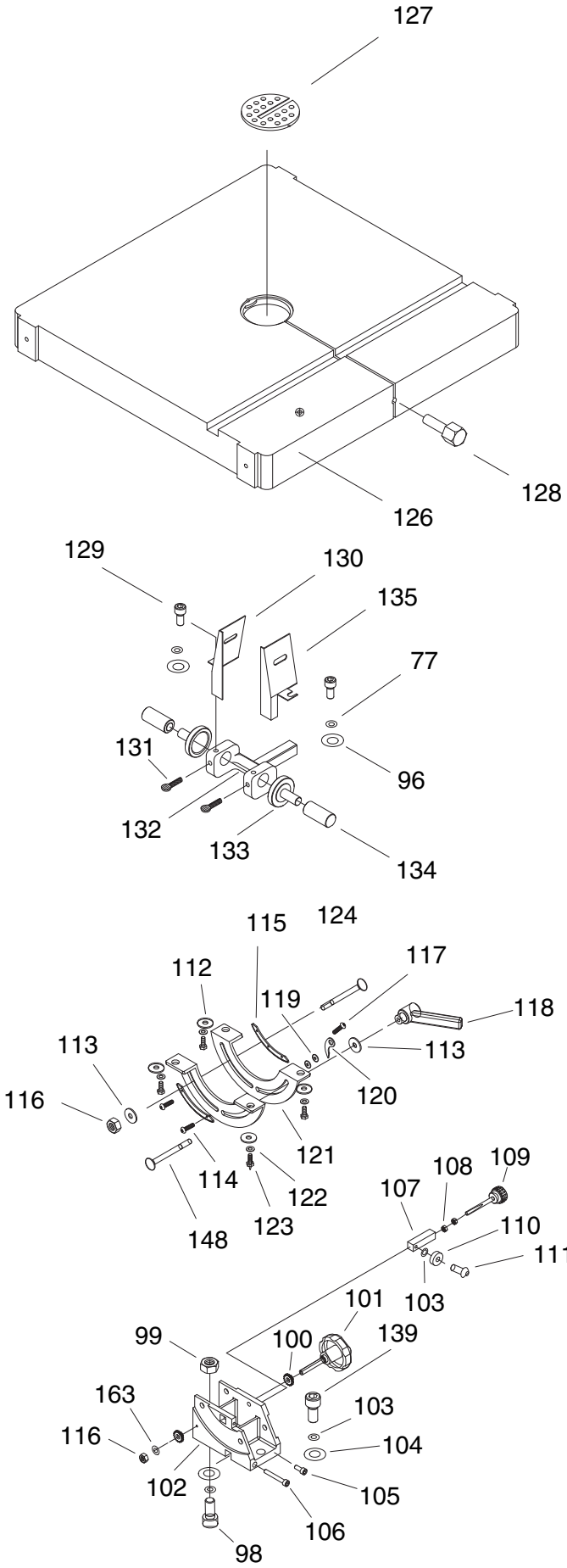


G0513/G0514



G0513/G0514



G0513

REF	PART #	DESCRIPTION
04	P0513004	RING 10MM
05	P0513005	MACHINE BODY
06	PSS07M	SET SCREW M5-0.8 X 5
08	PW03M	FLAT WASHER 6MM
09	PWRCRD220L	POWER CORD
10	PN01M	HEX NUT M6-1.0
11	P0513011	POINTER
12	P0513012	STEP SCREW
13	P0513013	UPPER SHAFT
14	PRP10M	ROLL PIN 5 X 36
15	P0513015	UPPER WHEEL SHAFT HINGE
16	P0513016	UPPER WHEEL SHAFT
17	P0513017	BUSHING
18	P6204	BEARING 6204
19	P0513019	UPPER WHEEL 17"
20	PR25M	INT RETAINING RING 47MM
21	PW01M	FLAT WASHER M8
22	PSB13M	CAP SCREW M8-1.25 X 30
23	P0513023	SAW BLADE 131.7" X 0.5" X 5MM
24	PLW04M	LOCK WASHER 8MM
25	PSB07M	CAP SCREW M6-1.0 X 30
26	P0513026	TIRE
27	P0513027	LOWER WHEEL 17"
28	P0513028	IDLE PULLEY
29	PN32	HEX NUT 1"-14
30	PLW09	LOCK WASHER 1"
31	P0513031	MOTOR CORD
32	P0513032	SPRING
33	PRP02M	ROLL PIN 3 X 16
34	P0513034	LOCATE BLOCK
35	P51201	BEARING 51201
36	P0513036	SWITCH
37	P0513037	HANDWHEEL
38	P0513038	ADJUSTING ROD
39	PFS07M	FLANGE SCREW M5-.8 X 10
40	PTLW02M	EXT TOOTH WASHER 5MM
41	PN06M	HEX NUT M5-0.8
42	PFS08M	FLANGE SCREW M5-0.8 X 16
43	P0513043	SWITCH PLATE
44	PSB11M	CAP SCREW M8-1.25 X 16
45	PW01M	FLAT WASHER 8MM
46	P0513046	UPPER WHEEL SLIDING BRACKET
47	PSB06M	CAP SCREW M6-1.0 X 25
48	P013048	RIVET 3.2 X 10MM
49	PSB04M	CAP SCREW M6-1.0 X 10
50	P0513050	CLEAR WINDOW
55	P0513055	UPPER WHEEL COVER
56	PSB06M	CAP SCREW M6-1.0 X 25
57	PW03M	FLAT WASHER 6MM
58	P0513058	BRUSH
59	PSB06M	CAP SCREW M6-1.0 X 25
60	P0513060	STAR HANDLE
61	P0513061	NYLON NUT M6-1.0

REF	PART #	DESCRIPTION
62	P0513062	STRAIN RELIEF
63	P0513063	POINTER
64	PN03M	HEX NUT M8-1.25
65	PB45M	HEX BOLT M8-1.25 X 100
66	P0513066	KNOB BOLT M10-1.5 X 20
67	P0513067	KNOB BOLT M10-1.5 X 53
68	P0513068	THREADED HANDLE M10-1.5
69	P0513069	CAM
70	P0513070	PILLOW BLOCK
71	P0513071	KNOB
72	P0513072	LEVER ROD
73	PN09M	HEX NUT M12-1.75
74	P0513074	SHAFT
75	PSB14M	CAP SCREW M8-1.25 X 20
76	PLW04M	LOCK WASHER 8MM
77	PLW03M	LOCK WASHER 6MM
78	P0513078	COVER
79	PSS09M	SET SCREW M8-1.25 X 20
80	PN03M	HEX NUT M8-1.25
81	P0513081	LOWER WHEEL SHAFT
82	P0513082	MOTOR 2HP
82-1	P0513082-1	MOTOR FAN COVER
83	PB79M	HEX BOLT M10-1.5 X 25
84	PLW06M	LOCK WASHER 10MM
85	P0513085	MOTOR BRACKET
86	PSB14M	CAP SCREW M8-1.25 X 20
87	P0513087	PLATE
88	PFS07M	FLANGE SCREW M5-0.8 X 10
89	P0513089	PILLOW BLOCK
90	PK15M	KEY 5 X 5 X 35
91	PB81M	HEX BOLT M8-1.0 X 20 LH
92	P0513092	MOTOR PULLEY
93	P0513093	V-BELT A42
94	PSB04M	CAP SCREW M6-1.0 X 10
95	P0513095	LOWER WHEEL COVER
96	PW03M	FLAT WASHER 6MM
97	PW01M	FLAT WASHER 8MM
98	PSB84M	CAP SCREW M10-1.5 X 35
99	PN02M	HEX NUT M10-1.5
100	P0513100	SMALL GEAR
101	P0513101	STAR HANDLE
102	P0513102	TRUNNION SUPPORT BRACKET
103	PLW06M	LOCK WASHER 10MM
104	PW04M	FLAT WASHER 10MM
105	PSB28M	CAP SCREW M6-1.0 X 15
106	PSB37M	CAP SCREW M6-1.0 X 50
107	P0513107	PILLOW BLOCK
108	PN01M	HEX NUT M6-1.0
109	P0513109	ADJUSTMENT BOLT M6-1.0
110	P6000	BEARING 6000
111	PSB61M	CAP SCREW M10-1.5 X 20
112	PW01M	FLAT WASHER 8MM
113	PW01M	FLAT WASHER 8MM

G0513

REF	PART #	DESCRIPTION
114	PS17M	PHLP HD SCR M4-0.7 X 6
115	P0513115	GEAR PLATE
116	P0513116	NYLON NUT M8-1.25
117	PS17M	PHLP HD SCR M4-0.7 X 6
118	P0513118	LOCK HANDLE
119	PW05M	FLAT WASHER 4MM
120	P0513120	POINTER
121	P0513121	TRUNNION PLATE
122	PLW04M	LOCK WASHER 8MM
123	PB03M	HEX BOLT M8-1.25 X 16
124	PCB23M	CARRIAGE BOLT M8-1.25 X 80
125	P0513125	FENCE ASSEMBLY W/RAILS
126	P0513126	TABLE 17" X 17"
127	P0513127	TABLE INSERT
128	P0513128	TABLE PIN
129	PSB85M	CAP SCREW M6-1.0 X 6
130	P0513130	LEFT COVER
131	PTS001M	THUMB SCREW M6-1 X 16
132	P0513132	LOWER BLADE GUIDE SUPPORT
133	P0513133	GUIDE RING
134	P0513134	LOWER ADJUST SHAFT
135	P0513135	RIGHT COVER
136	PSB50M	CAP SCREW M5-0.8 X 10
137	PW02M	FLAT WASHER 5MM
138	P0513138	PROTECTIVE COVER
139	PSB72M	CAP SCREW M10-1.5 X 30
140	P0513140	STEP SCREW
141	P0513141	FLAT WASHER
142	P0513142	SLIDING PLATE
143	PR05M	EXT RETAINING RING 15MM
144	P6202	BEARING 6202
145	P0513145	UPPER BLADE GUIDE SUPPORT
146	P0513133	GUIDE RING
147	PTS001M	THUMB SCREW M6-1.0 X 16
148	PCB10M	CARRIAGE BOLT M8-1.25 X 85
149	PSB28M	CAP SCREW M6-1.0 X 15
150	P0513150	ADJUST BAR
151	P0513151	UPPER SPACING SLEEVE
152	PSB02M	CAP SCREW M6-1.0 X 20
153	P0513153	UPPER GUIDE SUPPORT BLOCK

REF	PART #	DESCRIPTION
154	PS38M	PHLP HD SCR M4-0.7 X 10
155	PN04M	HEX NUT M4-0.7
156	P0513156	RACK
157	P0513157	UPPER GUIDE HOSE
158	P0513158	HANDWHEEL
159	PSB02M	CAP SCREW M6-1.0 X 20
160	P0513160	LOCATE BUSHING
161	P0513161	BUSHING
162	PSB14M	CAP SCREW M8-1.25 X 20
163	PLW04M	LOCK WASHER 8MM
164	P0513164	GUIDE BRACKET
165	P0513165	WORM CYLINDER
166	P0513166	FIXED PLATE
167	P0513167	GEAR
168	P0513168	FIXED BOLT
169	P0513169	COVER
170	PSB11M	CAP SCREW M8-1.25 X 16
171	PS07M	PHLP HD SCR M4-0.7 X 8
172	PSS11M	SET SCREW M6-1.0 X 16
173	P0513173	MITER GAUGE ASSY
173-1	P0513173-1	GUIDE BAR
173-2	P0513173-2	GUIDE
173-3	P0513173-3	POINTER
173-4	P0513173-4	NYLON WASHER ¼"
173-5	P0513173-5	HANDLE ¼"
173-6	P0513173-6	MITER GAUGE BODY
173-7	P0513173-7	SHAFT
173-8	PS37M	PHLP HD SCR M6-1.0 X 6
173-9	PFS01M	FLANGE SCREW M5-0.8 X 8
174	P0513174	BRUSH
175	PSB02M	CAP SCREW M6-1.0 X 20
176	P0513176	BUSHING
177	P0513177	MACHINE WARNING/ID
178	PLABEL-14	ELECTRICITY WARNING
179	PLABEL-11	SAFETY GLASSES WARNING
180	PLABEL-12	READ MANUAL WARNING
181	PLABEL-19	BLADE TOUCH WARNING
182	PLABEL-20	DOOR CLOSE WARNING
183	PLABEL-18	UNPLUG WARNING
184	G8588	CAST LOGO

G0514

REF	PART #	DESCRIPTION
04	P0513004	RING 10MM
05	P0514005	MACHINE BODY
06	PSS07M	SET SCREW M5-0.8 X 5
08	PW03M	FLAT WASHER 6MM
09	PWRCRD220L	POWER CORD
10	PN01M	HEX NUT M6-1.0
11	P0513011	POINTER
12	P0513012	STEP SCREW
13	P0513013	UPPER SHAFT
14	PRP10M	ROLL PIN 5 X 36
15	P0513015	UPPER WHEEL SHAFT HINGE
16	P0513016	UPPER WHEEL SHAFT
17	P0513017	BUSHING
18	P6204	BEARING 6204
19	P0514019	UPPER WHEEL 19"
20	PR25M	INT RETAINING RING 47MM
21	PW01M	FLAT WASHER 8MM
22	PSB13M	CAP SCREW M8-1.25 X 30
23	P0514023	SAW BLADE 143" X .75" X 5MM
24	PLW04M	LOCK WASHER 8MM
25	PSB07M	CAP SCREW M6-1.0 X 30
26	P0514026	TIRE
27	P0514027	LOWER WHEEL 19"
28	P0514028	IDLE PULLEY
29	PN32	HEX NUT 1"-14
30	PLW09	LOCK WASHER 1"
31	P0513031	MOTOR CORD
32	P0513032	SPRING
33	PRP02M	ROLL PIN 3 X 16
34	P0513034	LOCATE BLOCK
35	P51201	BEARING 51201
36	P0513036	SWITCH
37	P0513037	HANDWHEEL
38	P0513038	ADJUSTING ROD
39	PFS07M	FLANGE SCREW M5-0.8 X 10
40	PTLW02M	TOOTH LOCK WASHER 5MM
41	PN06M	HEX NUT M5-0.8
42	PFS08M	FLANGE SCREW M5-0.8 X 16
43	P0513043	SWITCH PLATE
44	PSB11M	CAP SCREW M8-1.25 X 16
45	PW01M	FLAT WASHER 8MM
46	P0513046	UPPER WHEEL SLIDING BRACKET
47	PSB05M	CAP SCREW M6-1.0 X 50
48	P0513048	RIVET 3.2 X 10MM
49	PSB04M	CAP SCREW M6-1.0 X 10
50	P0513050	CLEAR WINDOW
55	P0514055	UPPER WHEEL COVER
56	PSB06M	CAP SCREW M6-1.0 X 25
57	PW03M	FLAT WASHER 6MM
58	P0513058	BRUSH
59	PSB06M	CAP SCREW M6-1.0 X 25
60	P0513060	STAR HANDLE

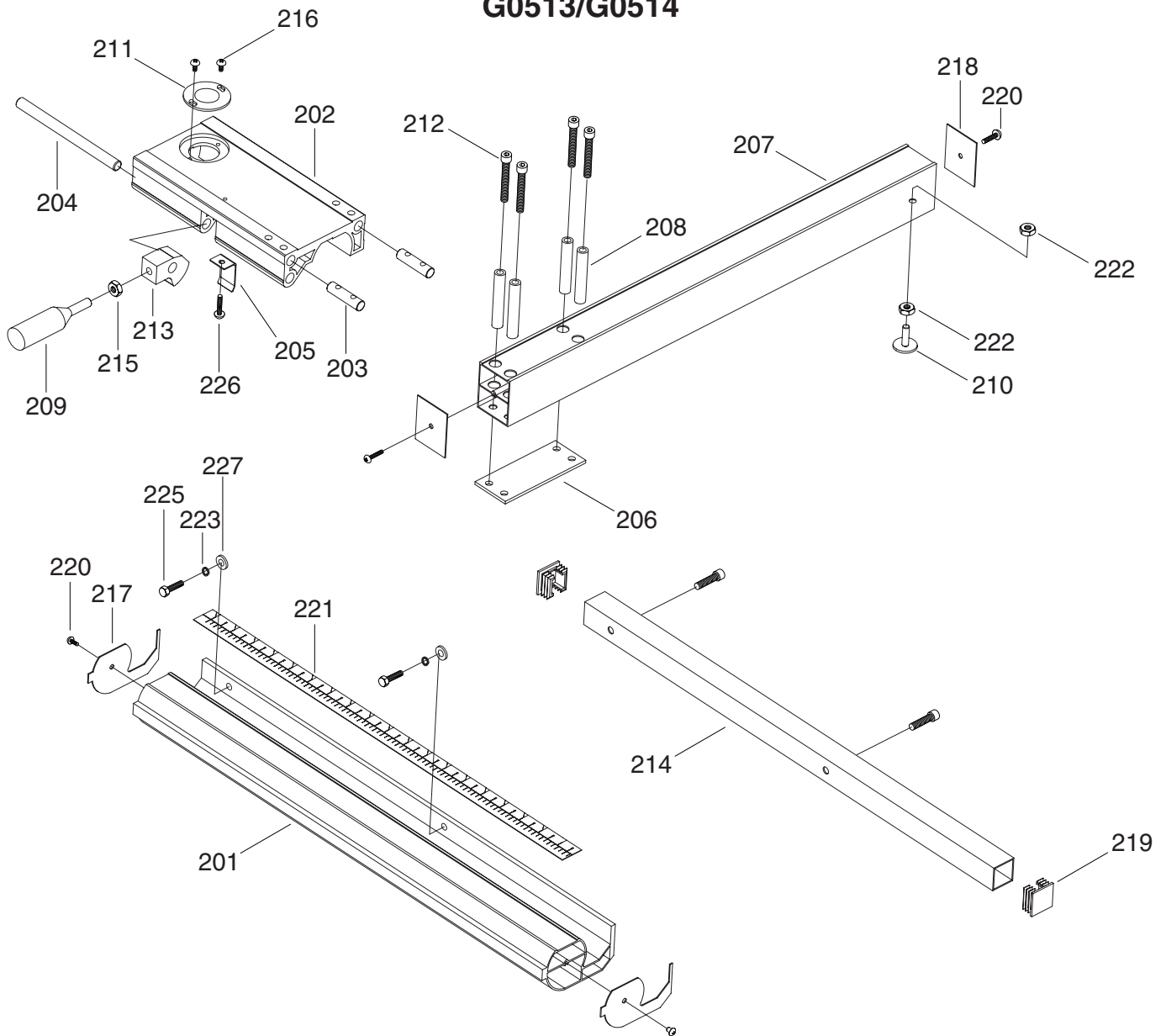
REF	PART #	DESCRIPTION
61	P0513061	NYLON NUT M6-1.0
62	P0513062	STRAIN RELIEF 16MM
63	P0513063	POINTER
64	PN03M	HEX NUT M8-1.25
65	PB45M	HEX BOLT M8-1.25 X 100
66	P0513066	KNOB BOLT M10-1.5 X 20
67	P0513067	KNOB BOLT M10-1.5 X 53
68	P0513068	THREADED HANDLE M10-1.5
69	P0513069	CAM
70	P0513070	PILLOW BLOCK
71	P0513071	KNOB
72	P0513072	LEVER ROD
73	PN09M	HEX NUT M12-1.75
74	P0513074	SHAFT
75	PSB14M	CAP SCREW M8-1.25 X 20
76	PLW04M	LOCK WASHER 8MM
77	PLW03M	LOCK WASHER 6MM
78	P0513078	COVER
79	PSS09M	SET SCREW M8-1.25 X 20
80	PN03M	HEX NUT M8-1.25
81	P0513081	LOWER WHEEL SHAFT
82	P0513082	MOTOR 2HP
83	PB79M	HEX BOLT M10-1.5 X 25
84	PLW06M	LOCK WASHER 10MM
85	P0513085	MOTOR BRACKET
86	PSB14M	CAP SCREW M8-1.25 X 20
87	P0513087	PLATE
88	PFS07M	FLANGE SCREW M5-0.8 X 10
89	P0513089	PILLOW BLOCK
90	PK15M	KEY 5 X 5 X 35
91	PB81M	HEX BOLT M8-1.0 X 20 LH
92	P0514092	MOTOR PULLEY
93	P0514093	V-BELT A42
94	PSB04M	CAP SCREW M6-1.0 X 10
95	P0514095	LOWER WHEEL COVER
96	PW03M	FLAT WASHER 6MM
97	PW01M	FLAT WASHER 8MM
98	PSB84M	CAP SCREW M10-1.5 X 35
99	PN02M	HEX NUT M10-1.5
100	P0513100	SMALL GEAR
101	P0513101	STAR HANDLE
102	P0513102	TRUNNION SUPPORT BRACKET
103	PLW06M	LOCK WASHER 10MM
104	PW04M	FLAT WASHER 10MM
105	PSB28M	CAP SCREW M6-1.0 X 15
106	PSB37M	CAP SCREW M6-1.0 X 50
107	P0513107	PILLOW BLOCK
108	PN01M	HEX NUT M6-1.0
109	P0513109	ADJUSTMENT BOLT M6-1.0
110	P6000	BEARING 6000
111	PSB61M	CAP SCREW M10-1.5 X 20
112	PW01M	FLAT WASHER 8MM
113	PW01M	FLAT WASHER 8MM

G0514

REF	PART #	DESCRIPTION
114	PS17M	PHLP HD SCR M4-0.7 X 6
115	P0513115	GEAR PLATE
116	P0513116	NYLON NUT M8-1.25
117	PS17M	PHLP HD SCR M4-0.7 X 6
118	P0513118	LOCK HANDLE
119	PW05M	FLAT WASHER 4MM
120	P0513120	POINTER
121	P0513121	TRUNNION PLATE
122	PLW04M	LOCK WASHER 8MM
123	PB03M	HEX BOLT M8-1.25 X 16
124	PCB05M	CARRIAGE BOLT M8-1.25 X 80
125	P0514125	FENCE ASSEMBLY W/RAILS
126	P0513126	TABLE 19" X 19"
127	P0513127	TABLE INSERT
128	P0513128	TABLE PIN
129	PSB85M	CAP SCREW M6-1.0 X 6
130	P0513130	LEFT COVER
131	PTS001M	THUMB SCREW M6-1 X 16
132	P0513132	LOWER BLADE GUIDE SUPPORT
133	P0514133	GUIDE RING
134	P0513134	LOWER ADJUST SHAFT
135	P0513135	RIGHT COVER
136	PSB50M	CAP SCREW M5-0.8 X 10
137	PW02M	FLAT WASHER 5MM
138	P0513138	PROTECTIVE COVER
139	PSB72M	CAP SCREW M10-1.5 X 30
140	P0513140	STEP SCREW
141	P0513141	FLAT WASHER
142	P0513142	SLIDING PLATE
143	PR05M	EXT RETAINING RING 15MM
144	P6202	BEARING 6202
145	P0513145	UPPER BLADE GUIDE SUPPORT
146	P0513146	GUIDE RING
147	PTS001M	THUMB SCREW M6-1.0 X 16
148	PCB10M	CARRIAGE BOLT M8-1.25 X 85
149	PSB28M	CAP SCREW M6-1.0 X 15
150	P0513150	ADJUST BAR
151	P0513151	UPPER SPACING SLEEVE
152	PSB02M	CAP SCREW M6-1 X 20
153	P0513153	UPPER GUIDE SUPPORT BLOCK

REF	PART #	DESCRIPTION
154	PS38M	PHLP HD SCR M4-0.7 X 10
155	PN04M	HEX NUT M4-0.7
156	P0513156	RACK
157	P0513157	UPPER GUIDE HOSE
158	P0513158	HANDWHEEL
159	PSB02M	CAP SCREW M6-1.0 X 20
160	P0513160	BUSHING
161	P0513161	BUSHING
162	PSB14M	CAP SCREW M8-1.25 X 20
163	PLW04M	LOCK WASHER 8MM
164	P0513164	GUIDE BRACKET
165	P0513165	WORM CYLINDER
166	P0513166	FIXED PLATE
167	P0513167	GEAR
168	P0513168	FIXED BOLT
169	P0513169	COVER
170	PSB11M	CAP SCREW M8-1.25 X 16
171	PS07M	PHLP HD SCR M4-0.7 X 8
172	PSS11M	SET SCREW M6-1.0 X 16
173	P0513173	MITER GAUGE ASSY
173-1	P0513173-1	GUIDE BAR
173-2	P0513173-2	GUIDE
173-3	P0513173-3	POINTER
173-4	P0513173-4	NYLON WASHER ¼"
173-5	P0513173-5	HANDLE
173-6	P0513173-6	MITER GAUGE BODY
173-7	P0513173-7	SHAFT
173-8	PS37M	PHLP HD SCR M6-1.0 X 6
173-9	PFS01M	FLANGE SCREW M5-0.8 X 8
174	P0513174	BRUSH
175	PSB02M	CAP SCREW M6-1.0 X 20
176	P0513176	BUSHING
177	P0513177	MACHINE WARNING/ID
178	PLABEL-14	ELECTRICITY WARNING
179	PLABEL-11	SAFETY GLASSES WARNING
180	PLABEL-12	READ MANUAL WARNING
181	PLABEL-19	BLADE TOUCH WARNING
182	PLABEL-20	DOOR CLOSE WARNING
183	PLABEL-18	UNPLUG WARNING
184	G8588	CAST LOGO

G0513/G0514



REF	PART #	DESCRIPTION
201	P0513201	LARGE FENCE RAIL
201	P0514201	LARGE FENCE RAIL
202	P0513202	ADJUSTABLE BASE
203	P0513203	FIXED SHAFT
204	P0513204	SHAFT
205	P0513205	SPRING PIECE
206	P0513206	BRACKET
207	P0513207	SUPPORT TUBE
207	P0514207	SUPPORT TUBE
208	P0513208	INTERVAL SHEATH
209	P0513209	HANDLE
210	P0513210	ADJUSTABLE RUNNER
211	P0513211	CONVEX WINDOW
212	PSB83M	CAP SCREW M6-1.0 X 55
213	P0513213	LOCK MECHANISM
214	P0513214	SMALL FENCE RAIL

REF	PART #	DESCRIPTION
214	P0514214	SMALL FENCE RAIL
215	PN01M	HEX NUT M6-1.0
216	PFS04M	FLANGE SCREW M4-.7 X 6
217	P0513217	LARGE RAIL CAP
218	P0513218	FENCE CAP
219	P0513219	SMALL RAIL CAP
220	PHTEK3M	TAP SCREW M3.5 X 8
221	P0513221	SCALE
221	P0514221	SCALE
222	PN01M	HEX NUT M6-1.0
223	PLW03M	LOCK WASHER 6MM
224	PSB01M	CAP SCREW M6-1.0 X 16
225	PB08M	HEX BOLT M6-1.0 X 20
226	PFS05M	FLANGE SCREW M4-.7 X 10
227	PW03M	FLAT WASHER 6MM