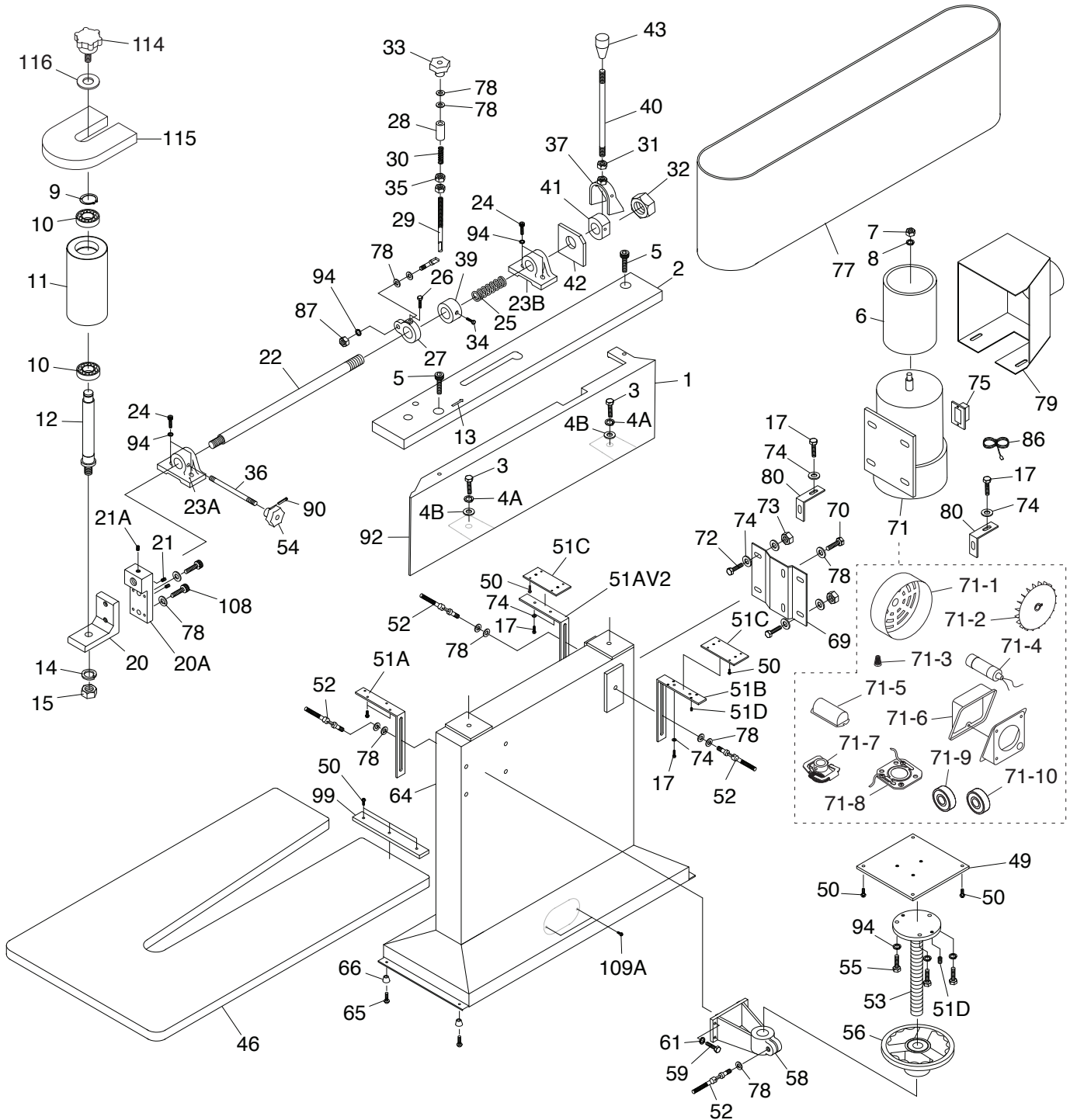


# SECTION 9: PARTS

We do our best to stock replacement parts when possible, but we cannot guarantee that all parts shown are available for purchase. Call (800) 523-4777 or visit [www.grizzly.com/parts](http://www.grizzly.com/parts) to check for availability.

## Main



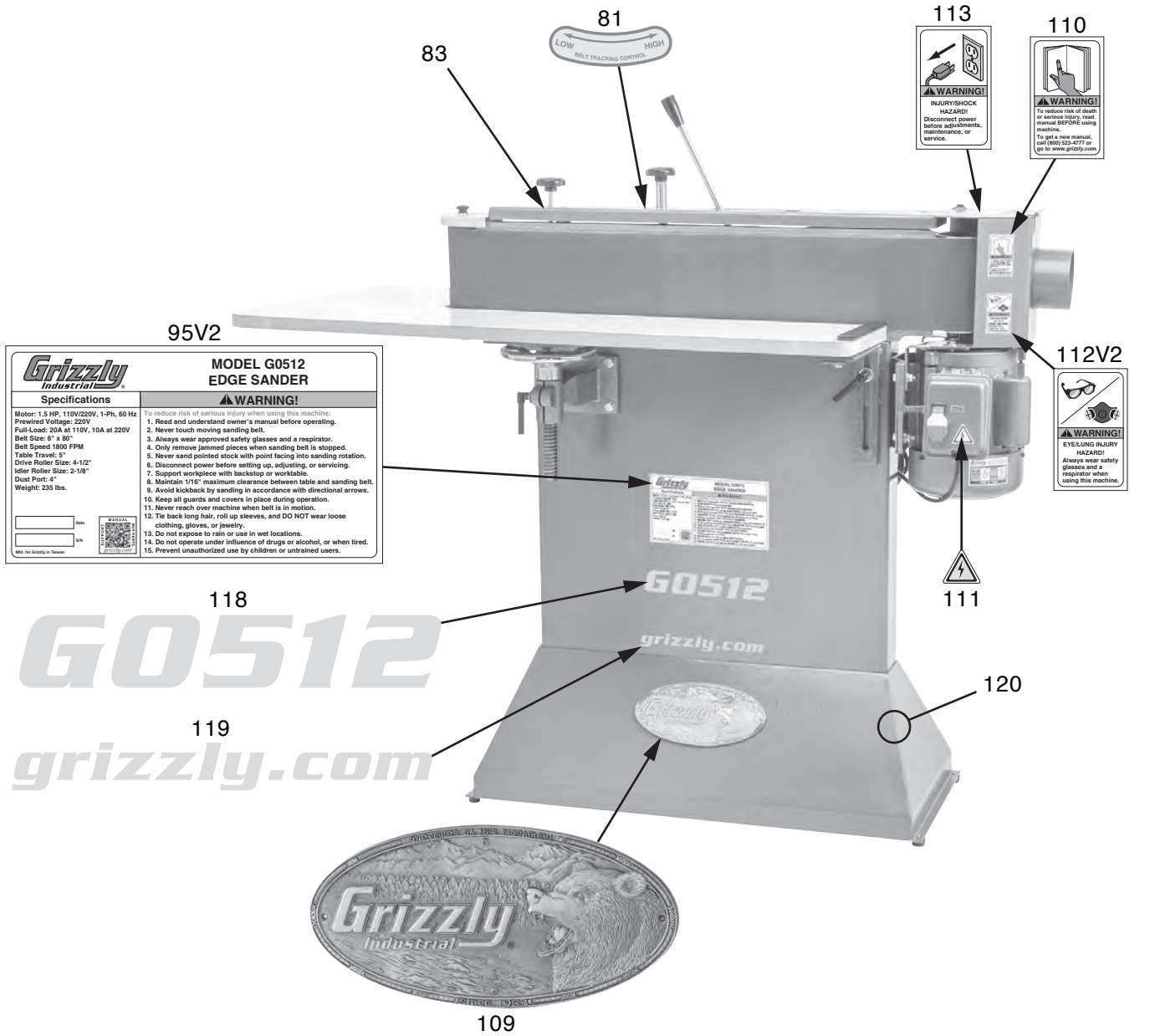
# Main Parts List


REF	PART #	DESCRIPTION
1	P0512001	PLATEN
2	P0512002	PLATEN COVER
3	P0512003	HEX BOLT 3/8-16 X 1-1/2
4A	P0512004A	LOCK WASHER 10MM
4B	P0512004B	FLAT WASHER 3/8
5	P0512005	CAP SCREW 3/8-16 X 1
6	P0512006	DRIVER ROLLER
7	P0512007	HEX NUT 5/8-18
8	P0512008	LOCK WASHER 16MM
9	P0512009	EXT RETAINING RING 19MM
10	P0512010	BALL BEARING R12-Z
11	P0512011	RUBBER IDLER ROLLER
12	P0512012	ROLLER AXLE
13	P0512013	BELT DIRECTION ARROW
14	P0512014	LOCK WASHER 16MM
15	P0512015	HEX NUT 5/8-11
17	P0512017	HEX BOLT 5/16-18 X 1/2
20	P0512020	ROLLER SUPPORT BRACKET
20A	P0512020A	ROLLER BLOCK BRACKET
21	P0512021	SET SCREW 1/4-20 X 5/8
21A	P0512021A	ROLLER BRACKET SCREW 1/4-20 X 5/8
22	P0512022	BELT ADJUST SHAFT
23A	P0512023A	ADJUST SHAFT SLIDE (A)
23B	P0512023B	ADJUST SHAFT SLIDE (B)
24	P0512024	CAP SCREW 5/16-18 X 1
25	P0512025	SPRING 36 X 78
26	P0512026	HEX BOLT 5/16-18 X 3/4
27	P0512027	ARM CONTROL CASTING
28	P0512028	SLEEVE
29	P0512029	CONTROL SHAFT
30	P0512030	SPRING 16.5 X 44
31	P0512031	HEX NUT 1/2-13
32	P0512032	HEX NUT 1-8
33	P0512033	TILT KNOB 3/8"
34	P0512034	HEX BOLT 3/8-16 X 3/4
35	P0512035	HEX NUT 3/8-16
36	P0512036	STUD-UDE 3/8-16 X 5-1/2, 1, 9/16
37	P0512037	SWIVEL ASSEMBLY
39	P0512039	COLLAR
40	P0512040	LEVER
41	P0512041	SWIVEL ASSEMBLY
42	P0512042	PLATE
43	P0512043	HANDLE 1/2"
46	P0512046	TABLE
49	P0512049	PARTITION
50	P0512050	TAP SCREW #8 X 3/4
51A	P0512051A	TABLE SUPPORT BRACKET (A)

REF	PART #	DESCRIPTION
51AV2	P0512051AV2	TABLE SUPPORT BRACKET (A) V2.12.22
51B	P0512051B	TABLE SUPPORT BRACKET (B)
51C	P0512051C	ADJUSTMENT PLATE
51D	P0512051D	SET SCREW 5/16-18 X 3/8
52	P0512052	SWIVEL LOCK HANDLE 3/8-16 X 1-1/4
53	P0512053	LEADSCREW 1-4 X 228
54	P0512054	KNOB 3/8"
55	P0512055	HEX BOLT 5/16-18 X 5/8
56	P0512056	HAND WHEEL
58	P0512058	SPLIT CASTING
59	P0512059	HEX BOLT 3/8-16 X 1
61	P0512061	LOCK WASHER 10MM
64	P0512064	STAND
65	P0512065	PHLP HD SCR 10-24 X 5/8
66	P0512066	RUBBER FOOT
69	P0512069	MOTOR BRACKET
70	P0512070	HEX BOLT 3/8-16 X 1
71	P0512071	MOTOR 1.5HP 110V/220V 1-PH
71-1	P0512071-1	MOTOR FAN COVER
71-2	P0512071-2	MOTOR FAN
71-3	P0512071-3	MOTOR WIRING CAP
71-4	P0512071-4	S CAPACITOR 400M 125V 2 X 3-1/2
71-5	P0512071-5	CAPACITOR COVER
71-6	P0512071-6	MOTOR JUNCTION BOX
71-7	P0512071-7	CENT SWITCH 5/8 1725
71-8	P0512071-8	CONTACT PLATE 27 X 70 EXT
71-9	P0512071-9	BALL BEARING 6205-2RS (FRONT)
71-10	P0512071-10	BALL BEARING 6203-2RS (REAR)
72	P0512072	HEX BOLT 5/16-18 X 1-1/4
73	P0512073	HEX NUT 5/16-18
74	P0512074	FLAT WASHER 5/16
75	P0512075	ON/OFF SWITCH
77	P0512077	SANDING BELT 6" X 80" A/O 60-G (2 PK)
78	P0512078	FLAT WASHER 3/8
79	P0512079	DUST COLLECTION HOOD
80	P0512080	HOOD SUPPORT BRACKET
86	P0512086	POWER CORD 16G 3W 72"
87	P0512087	HEX NUT 3/8-16
90	P0512090	ROLL PIN 3 X 14
92	P0512092	GRAPHITE PAD 6 X 31"
94	P0512094	LOCK WASHER 8MM
99	P0512099	BACK STOP
108	P0512108	CAP SCREW 3/8-16 X 1-1/2
109A	P0512109A	TAP SCREW #8 X 5/8
114	P0512114	STAR KNOB SMALL
115	P0512115	IDLER ROLLER COVER
116	P0512116	FLAT WASHER 1/4



# Labels & Cosmetics



<b>Grizzly Industrial</b>		<b>MODEL G0512 EDGE SANDER</b>	
<b>Specifications</b>		<b>⚠️ WARNING!</b>	
Motor: 1.5 HP, 110V/220V, 1-Ph, 60 Hz Pre-wired Voltage: 220V Full-Load: 20A at 110V, 10A at 220V Belt Size: 6" x 80" Belt Speed: 1800 FPM Table Travel: 5" Drive Roller Size: 4-1/2" Idler Roller Size: 2-1/8" Dust Port: 4" Weight: 235 lbs.		To reduce risk of serious injury when using this machine: 1. Read and understand owner's manual before operating. 2. Never touch moving sanding belt. 3. Always wear approved safety glasses and a respirator. 4. Only remove jammed pieces when sanding belt is stopped. 5. Never sand pointed stock with point facing into sanding rotation. 6. Disconnect power before setting up, adjusting, or servicing. 7. Support workpiece with backstop or worktable. 8. Maintain 1/16" maximum clearance between table and sanding belt. 9. Avoid kickback by sanding in accordance with directional arrows. 10. Keep all guards and covers in place during operation. 11. Never reach over machine when belt is in motion. 12. Tie back long hair, roll up sleeves, and DO NOT wear loose clothing, gloves, or jewelry. 13. Do not expose to rain or use in wet locations. 14. Do not operate under influence of drugs or alcohol, or when tired. 15. Prevent unauthorized use by children or untrained users.	
Date: _____	Serial: _____		
Mfg. for Grizzly in Taiwan			

REF	PART #	DESCRIPTION
81	P0512081	TRACKING ARROW LABEL
83	P0512083	TRACKING LOCK LABEL
95V2	P0512095V2	MACHINE ID LABEL V2.11.17
109	P0512109	GRIZZLY LOGO PLATE
110	P0512110	READ MANUAL LABEL
111	P0512111	ELECTRICITY LABEL

REF	PART #	DESCRIPTION
112V2	P0512112V2	SAFETY GLASSES/RESPIRATOR LABEL V2.11.17
113	P0512113	DISCONNECT POWER LABEL
118	P0512118	MODEL NUMBER LABEL
119	P0512119	GRIZZLY.COM LABEL
120	P0512120	TOUCH-UP PAINT, GRIZZLY GREEN

**⚠️ WARNING**

Safety labels help reduce the risk of serious injury caused by machine hazards. If any label comes off or becomes unreadable, the owner of this machine **MUST** replace it in the original location before resuming operations. For replacements, contact (800) 523-4777 or [www.grizzly.com](http://www.grizzly.com).

