

READ THIS FIRST

Grizzly Industrial, Inc.®

Models G0486 & G0487
*****IMPORTANT UPDATE*****

For Machines Mfd. Since January, 2014
and Owner's Manual Printed April, 2006

For questions or help with this product contact Tech Support at (570) 546-9663 or techsupport@grizzly.com

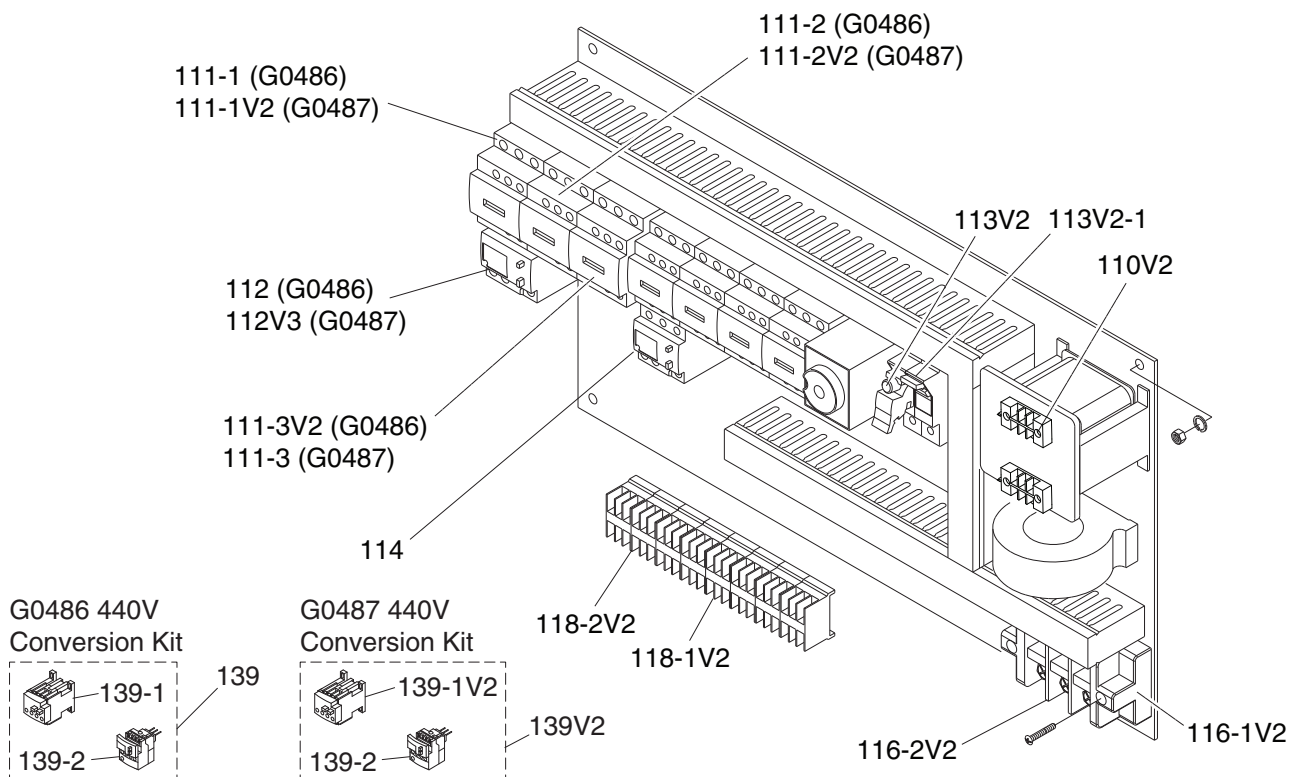
The following changes were made to this machine since the owner's manual was printed:

- Obtained CSA certification meeting CSA C22.2 #105-1953 and UL 987-7th standards.
- Changed transformer, contactors, overload relays, terminal blocks, 440V conversion kit components, and wiring.
- Changed circuit requirements.
- Replaced oscillation diaphragm assembly with an air cylinder.

Note: At the top of each page is a note that indicates which page it replaces in the original manual. On the parts list, the new parts are designated with a "V2".

Aside from this information, all other content in the owner's manual applies and **MUST** be read and understood for your own safety. **IMPORTANT: Keep this update with the owner's manual for future reference.** For questions or help, contact our Tech Support at (570) 546-9663 or techsupport@grizzly.com.

Electrical Cabinet Diagram (Only Replaces Electrical Cabinet Diagram on Page 64)



COPYRIGHT © NOVEMBER, 2014 BY GRIZZLY INDUSTRIAL, INC., REVISED MAY, 2014 (TS)
WARNING: NO PORTION OF THIS MANUAL MAY BE REPRODUCED IN ANY SHAPE OR FORM WITHOUT THE WRITTEN APPROVAL OF GRIZZLY INDUSTRIAL, INC.
#TS14577 PRINTED IN TAIWAN

Only Replaces Electrical Cabinet Parts List on Page 65
Electrical Cabinet Parts List

G0486 & G0487 220V Components

REF	PART #	DESCRIPTION
110V2	P04868110V2	TRANSFORMER SUENN LIANG SP-TBS-20250 V2.10.11
111-1	P04868111-1	CONTACTOR SCHN LC1D38 220V
111-1V2	P04878111-1V2	CONTACTOR SCHN LC1D40A 220V V2.10.11
111-2	P04868111-2	CONTACTOR SCHN LC1D38 220V
111-2V2	P04878111-1V2	CONTACTOR SCHN LC1D40A 220V V2.10.11
111-3V2	P04868111-3V2	CONTACTOR SCHN LC1D25 220V V2.10.11
111-3	P04878111-3	CONTACTOR SCHN LC1D38 220V
112	P04868112	OL RELAY SCHN LR3D35 30-38A
112V3	P0539012V3	OL RELAY SCHN LRD340 30-40A V3.04.13
113V2	P04868113V2	FUSE CB KTK-4 10 X 38 550V 4A
113V2-1	P04868113V2-1	FUSE HOLDER SE DF101 10 X 38 V2.10.11
114	P05818114	OL RELAY SCHN LR3D12 5.5-8A
116-1V2	P04868116-1V2	TERMINAL PLATE ENTRELEC M16/12P YL/GRN V2.10.11
116-2V2	P04868116-2V2	TERMINAL PLATE ENTRELEC M16/12 GRAY V2.10.11
118-1V2	P04868118-1V2	TERMINAL PLATE ENTRELEC M4/6 GRAY V2.10.11
118-2V2	P04868118-2V2	TERMINAL PLATE ENTRELEC M4/6P YL/GRN V2.10.11

G0486 440V Conversion Kit

REF	PART #	DESCRIPTION
139	P04868139	440V CONVERSION KIT
139-1	PH29348134	OL RELAY SCHN LR3D21 12-18A
139-2	P04868139-2	OL RELAY SCHN LR3D08 2.5-4A

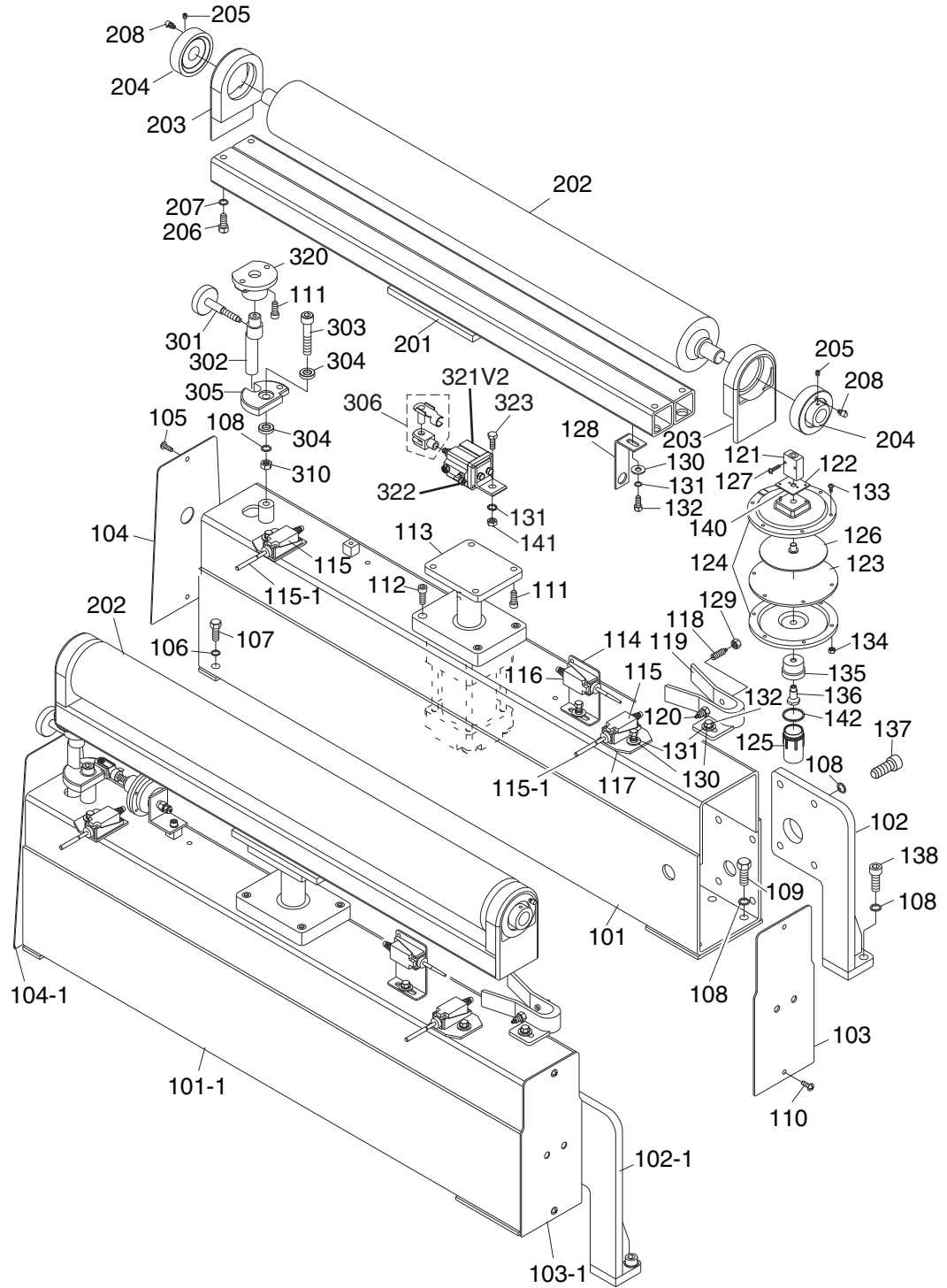
G0487 440V Conversion Kit

REF	PART #	DESCRIPTION
139V2	P04878139V2	440V CONVERSION KIT V2.10.11
139-1V2	P99809139A-1V2	OL RELAY SCHN LR3D325 17-25A V2.09.10
139-2	P04868139-2	OL RELAY SCHN LR3D08 2.5-4A

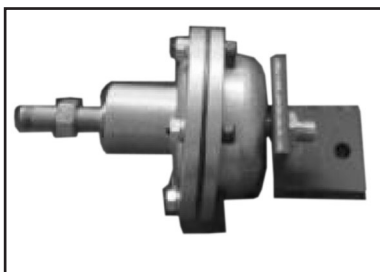


Replaces Page 60

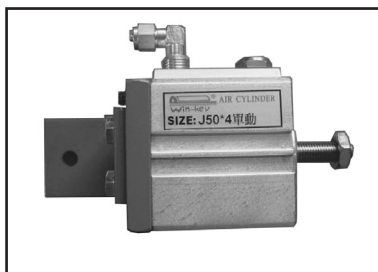
Upper Roller System Diagram



Previous Version Air Cylinder



New Version Air Cylinder
(Part No 321V2)



Replaces Page 61

Upper Roller System Parts List

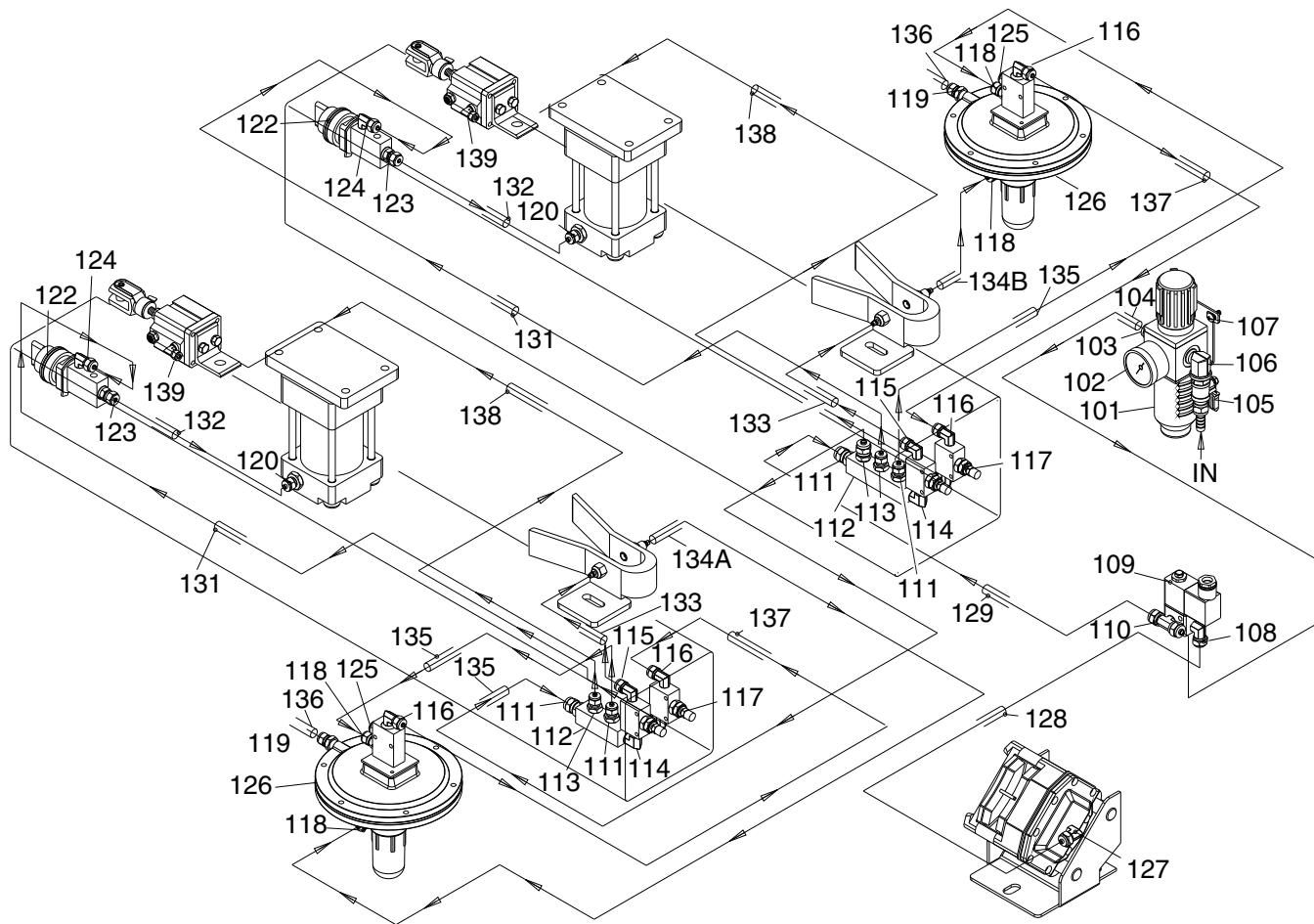
REF	PART #	DESCRIPTION
101	P04866101	SQUARE FRAME REAR (G0486)
101	P04876101	SQUARE FRAME REAR (G0487)
101-1	P04866101-1	SQUARE FRAME FRONT (G0486)
101-1	P04876101-1	SQUARE FRAME FRONT (G0487)
102	P04866102	REAR BRACKET (G0486)
102	P04876102	REAR BRACKET (G0487)
102-1	P04866102-1	FRONT BRACKET (G0486)
102-1	P04876102-1	FRONT BRACKET (G0487)
103	P04866103	FRAME SEAL RIGHT (G0486)
103	P04876103	FRAME SEAL RIGHT (G0487)
103-1	P04866103-1	FRAME SEAL FRNT RIGHT (G0486)
103-1	P04876103-1	FRAME SEAL FRNT RIGHT (G0487)
104	P04866104	FRAME SEAL LEFT (G0486)
104	P04876104	FRAME SEAL LEFT (G0487)
104-1	P04866104-1	FRAME SEAL FRNT LEFT (G0486)
104-1	P04876104-1	FRAME SEAL FRNT LEFT (G0487)
105	PFH03	FLAT HD SCR 1/4-20 X 1/2
106	PLW04	LOCK WASHER 3/8
107	PB18	HEX BOLT 3/8-16 X 1
108	PLW07	LOCK WASHER 1/2
109	PB40	HEX BOLT 1/2-12 X 1-1/4
110	PS04	PHLP HD SCR 1/4-20 X 1/2
111	PSB07	CAP SCREW 5/16-18 X 3/4
112	PB03	HEX BOLT 5/16-18 X 1
113	P04866113	AIR CYLINDER
114	P04866114	LIMIT SWITCH HOLDER L-TYPE
115	P04866115	LIMIT SWITCH W/CERAMIC TIP
115-1	P04866115-1	CERAMIC TIP
116	P04866116	LIMIT SWITCH W/PLASTIC TIP
117	P04866117	LIMIT SWITCH HOLDER
118	P04866118	AIR SENSOR NOZZLE FEMALE
119	P04866119	AIR FORK
120	P04866120	AIR SENSOR NOZZLE MALE
121	P04866121	THROTTLE VALVE
122	P04866122	THROTTLE VALVE BASE
123	P04866123	DIAPHRAGM
124	P04866124	HOUSING ASSEMBLY
125	P04866125	OIL CAP

REF	PART #	DESCRIPTION
126	P04866126	ALUMINUM PLATE
127	PS02M	PHLP HD SCR M4-.7 X 12
128	P04866128	SHUTDOWN BRACKET
129	PN11	HEX NUT 3/8-24
130	PW07	FLAT WASHER 5/16
131	PLW01	LOCK WASHER 5/16
132	PB09	HEX BOLT 5/16-18 X 1/2
133	PS08	PHLP HD SCR 10-24 X 3/4
134	PN07	HEX NUT 10-24
135	P04866135	CONNECTOR OF OIL CAP
136	P04866136	SHAFT OF OIL CAP
137	PSB76	CAP SCREW 1/2-12 X 1-1/2
138	PB53	HEX BOLT 1/2-12 X 1
140	PFH25M	FLAT HD SCR M4-.7 X 12
141	PN02	HEX NUT 5/16-18
142	P04866142	O-RING
201	P04866201	UPPER ROLLER BRACKET (G0486)
201	P04876201	UPPER ROLLER BRACKET (G0487)
202	P05816202	UPPER ROLLER (G0486)
202	P04876202	UPPER ROLLER (G0487)
203	P04866203	UPPER ROLLER BRACKET
204	P05275104	CYL. CARTRIDGE BEARING UCC205
205	PSS02M	SET SCREW M6-1 X 6
206	PSB16	CAP SCREW 3/8-16 X 3/4
207	PLW04	LOCK WASHER 3/8
208	P04866208	GREASE FITTING W/DUST CAP
301	P05816301	TRIMMING SCREW 2 X 90MM
302	P04866302	ECCENTRIC ROD
303	PBS98	CAP SCREW 1/2-12 X 2-3/4
304	PW01	FLAT WASHER 1/2
305	P04866305	ECCENTRIC PIECE
306	P04866306	CLEVIS ASSEMBLY
310	PN06	HEX NUT 1/2-12
320	P04866320	ECCENTRIC SHAFT FRAME
321V2	P04866321V2	OSCILLATING AIR CYLINDER V2.01.14
322	P04866322	CONNECTOR 1/4N X 1/4T 90°
323	PB11	HEX BOLT 5/16-18 X 1-1/2



Replaces Page 66 & 67

Belt Oscillation System



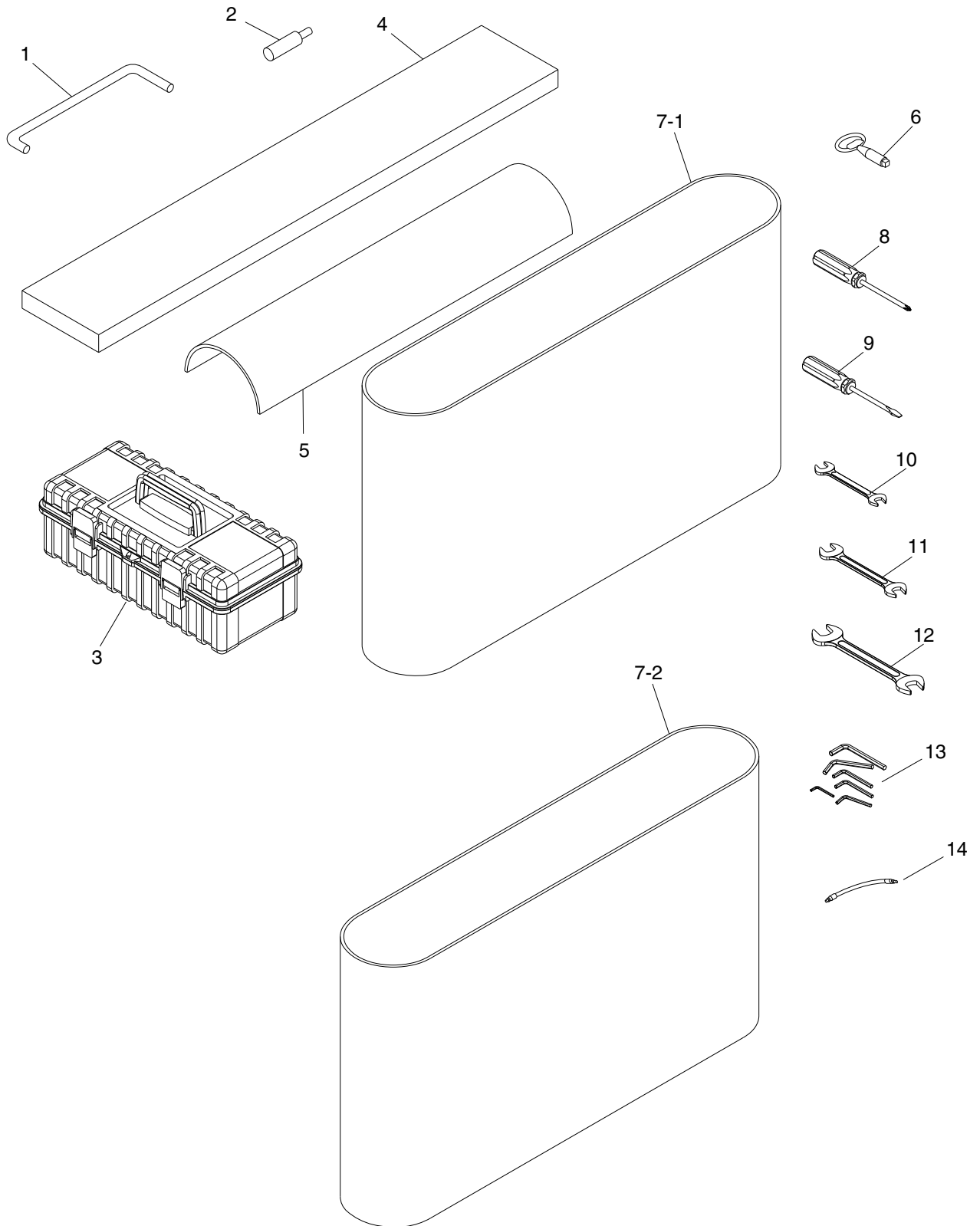
REF	PART #	DESCRIPTION
101	PH29339101	FILTER CUP
102	PH29339102	PRESSURE REGULATOR W/GAUGE
103	PH29339103	BRONZE CONNECTOR 5/16N X 1/4T
104	PH29339104	8 X 900MM FLEXIBLE HOSE
105	PH29339105	AIR VALVE 1/4"
106	PH29339106	ELBOW 1/4T X 1/4T 90°
107	PS22	PHLP HD SCR 10-24 X 5/8
108	PH29339108	ELBOW 5/16N X 1/8T 90°
109	PH29339109	SOLENOID VALVE
110	PH29339110	T-FITTING 5/16N X 5/16N X 1/8T
111	PH29339111	CONNECTOR 1/4N X 1/4T
112	PH29339112	MANIFOLD 1/4N
113	P04869113	CONNECTOR 5/16N X 1/4T
114	P04869114	BRONZE ELBOW 1/4T X 1/8T-90
115	PH29339115	CONNECTOR 1/4N X 1/8T 90°
116	PH29339116	CONNECTOR 1/4N X 1/8T 90°
117	PH29339117	THROTTLE VALVE 1/8"
118	P04869118	CONNECTOR 1/4N X 1/8T
119	P04869119	BRONZE CONNECTOR 1/4N
120	P04869120	CONNECTOR 1/4N X 3/8T
122	PH29339122	AIR SWITCH 1/8"

REF	PART #	DESCRIPTION
123	PH29339123	CONNECTOR 1/4N X 1/8T
124	PH29339124	CONNECTOR 1/4N X 1/8T 90°
125	P04869125	BUFFER 1/8"(BRONZE)
126	P04869126	DIAPHRAGM ASSEMBLY
127	PH29339127	CONNECTOR 5/16N X 1/8T 90°
128	PH29339128	8 X 900MM FLEXIBLE HOSE
129	PH29339129	8 X 1650MM FLEXIBLE HOSE
130	P04869130	6MM FLEXIBLE HOSE
131	P04869131	6 X 1700MM FLEXIBLE HOSE (G0486)
131	P04879131	6 X 1800MM FLEXIBLE HOSE (G0487)
132	P04869132	6 X 800MM FLEXIBLE HOSE (G0486)
132	P04879132	6 X 950MM FLEXIBLE HOSE (G0487)
133	PH29339133	6 X 600MM FLEXIBLE HOSE
134A	PH29339134	6 X 650MM FLEXIBLE HOSE FRONT
134B	PH29339134	6 X 300MM FLEXIBLE HOSE REAR
135	PH29339135	6 X 700MM FLEXIBLE HOSE
136	PH29339136	6 X 350MM FLEXIBLE HOSE
137	PH29339137	6 X 700MM FLEXIBLE HOSE
138	P04869138	6 X 1500MM FLEXIBLE HOSE (G0486)
138	P04879138	6 X 1700MM FLEXIBLE HOSE (G0487)
139	P04866322	CONNECTOR 1/4N X 1/4T 90°



Tool Box and Accessories Diagram

0000 Series Parts



Tool Box and Accessories Parts List

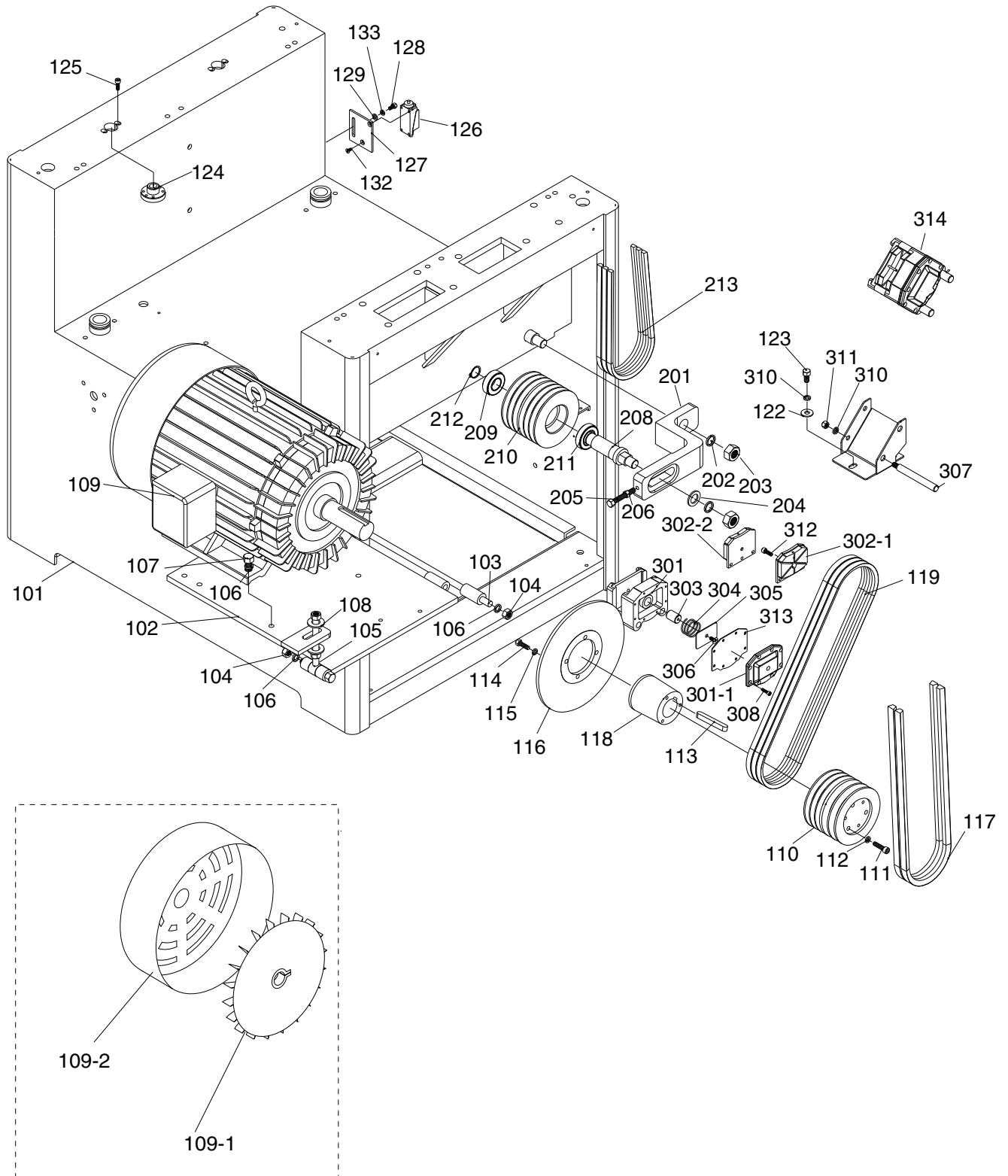
REF	PART #	DESCRIPTION
1	PH29330001	PLATEN REMOVAL TOOL
2	P9962Z0002	CERAMIC LIMIT SWITCH POST
3	PH29330003	TOOL BOX
4	P05810004	44" PLATEN FELT (G0486)
4	P04870004	52" PLATEN FELT (G0487)
5	P05810005	GRAPHITE 44" X 3.54" (G0486)
5	P04870005	GRAPHITE 52" X 3.54" (G0487)
6	PH29330006	DOOR HANDLE
7-1	P04860007-1	SANDPAPER #100 (43" X 75") G0486
7-1	P04870007-1	SANDPAPER #100 (51" X 75") G0487

REF	PART #	DESCRIPTION
7-2	P04860007-2	SANDING BELT #180 (43" X 75") G0486
7-2	P04870007-2	SANDING BELT #180 (51" X 75") G0487
8	P04860008	#2 PHILLIPS SCREWDRIVER
9	P04860009	#2 STANDARD SCREWDRIVER
10	PWR810	WRENCH 8 X 10
11	PWR1214	WRENCH 12 X 14
12	PWR1719	WRENCH 17 X 19
13	PH29330013	HEX WRENCH SET
14	P04860014	FLEXIBLE GREASE GUN EXTENSION



Sanding Motor System Diagram

1000 Series Parts



Sanding Motor System Parts List

REF	PART #	DESCRIPTION
101	P05811101	MACHINE FRAME (G0486)
101	P04871101	MACHINE FRAME (G0487)
102	P05811102	MOTOR BASE (G0486)
102	P04871102	MOTOR BASE (G0487)
103	P05811103	MOTOR BASE HINGE
104	PN06	HEX NUT 1/2-12
105	PH29331105	MOTOR BASE ADJUSTMENT ROD
106	PLW07	LOCK WASHER 1/2
107	PB41	HEX BOLT 1/2-12 X 1-1/2
108	PW01	FLAT WASHER 1/2
109	P04861109	MOTOR 25 HP 220/440V 3PH (G0486)
109	P04871109	MOTOR 30HP 220/440V 3PH (G0487)
109-1	P04861109-1	MOTOR FAN (G0486)
109-1	P04871109-1	MOTOR FAN (G0487)
109-2	P04861109-2	MOTOR FAN COVER (G0486)
109-2	P04871109-2	MOTOR FAN COVER (G0487)
110	P05811110	PULLEY
111	PSB11	CAP SCREW 5/16-18 X 1-1/4
112	PLW01	LOCK WASHER 5/16
113	PH29331113	KEY 12 X 8 X 105
114	PB03	HEX BOLT 5/16 -18 X 1
115	PLW01	LOCK WASHER 5/16
116	PH29331116	ROTOR
117	PVB76	V-BELT B-76 5L760
118	P05811118	PULLEY BUSHING
119	PVA50	V-BELT A-50 4L500
121	P04861121	BRAKE BRACKET
122	PW02	FLAT WASHER 3/8
123	PB21	HEX BOLT 3/8-16 X 3/4
124	P04861124	FLAT HEAD NUT
125	PSB05	CAP SCREW 1/4-20 X 3/4
126	P04861126	LIMIT SWITCH

REF	PART #	DESCRIPTION
127	P04861127	LIMIT SWITCH PLATE
128	PB19	HEX BOLT 1/4-20 X 1/2
129	PW06	FLAT WASHER 1/4
132	PFH12M	FLAT HD SCR M6-1 X 25
133	PLW02	LOCK WASHER 1/4
201	P04861201	IDLE WHEEL ADJ. BRACKET
202	PLW10	LOCK WASHER 3/4
203	PN06	HEX NUT 1/2-12
204	PW13	FLAT WASHER 3/4
205	PB84	HEX BOLT 3/8-16 X 3-1/2
206	PN08	HEX NUT 3/8-16
208	P04861208	IDLE WHEEL SHAFT
209	P6305	BALL BEARING 6305ZZ
210	P04861210	PULLEY
211	P6206	BEARING 6206ZZ
212	PR11M	EXT RETAINING RING 25MM
213	PVA40	V-BELT A-40 4L400
301	P04861301	BRAKE BRACKET
301-1	P04861301-1	BRAKE BRACKET FRONT GUARD
302-1	P04861302-1	BRAKE LINING
302-2	P04861302-2	BRAKE LINING
303	P04861303	BRAKE ARBOR
304	P04861304	BRAKE COMPRESSION SPRING
305	P04861305	BRAKE INSIDE PIECE
306	PFH04	FLAT HD SCR 1/4-20 X 5/8
307	P04861307	BRAKE PIN
308	PSB31	CAP SCREW 10-24 X 5/8
310	PLW04	LOCK WASHER 3/8
311	PN08	HEX NUT 3/8-16
312	PSB01	CAP SCREW 1/4-20 X 5/8
313	P04861313	BRAKE GASKET
314	P04861314	BRAKE ASSEMBLY



Table Lift System Diagram

2000 Series Parts

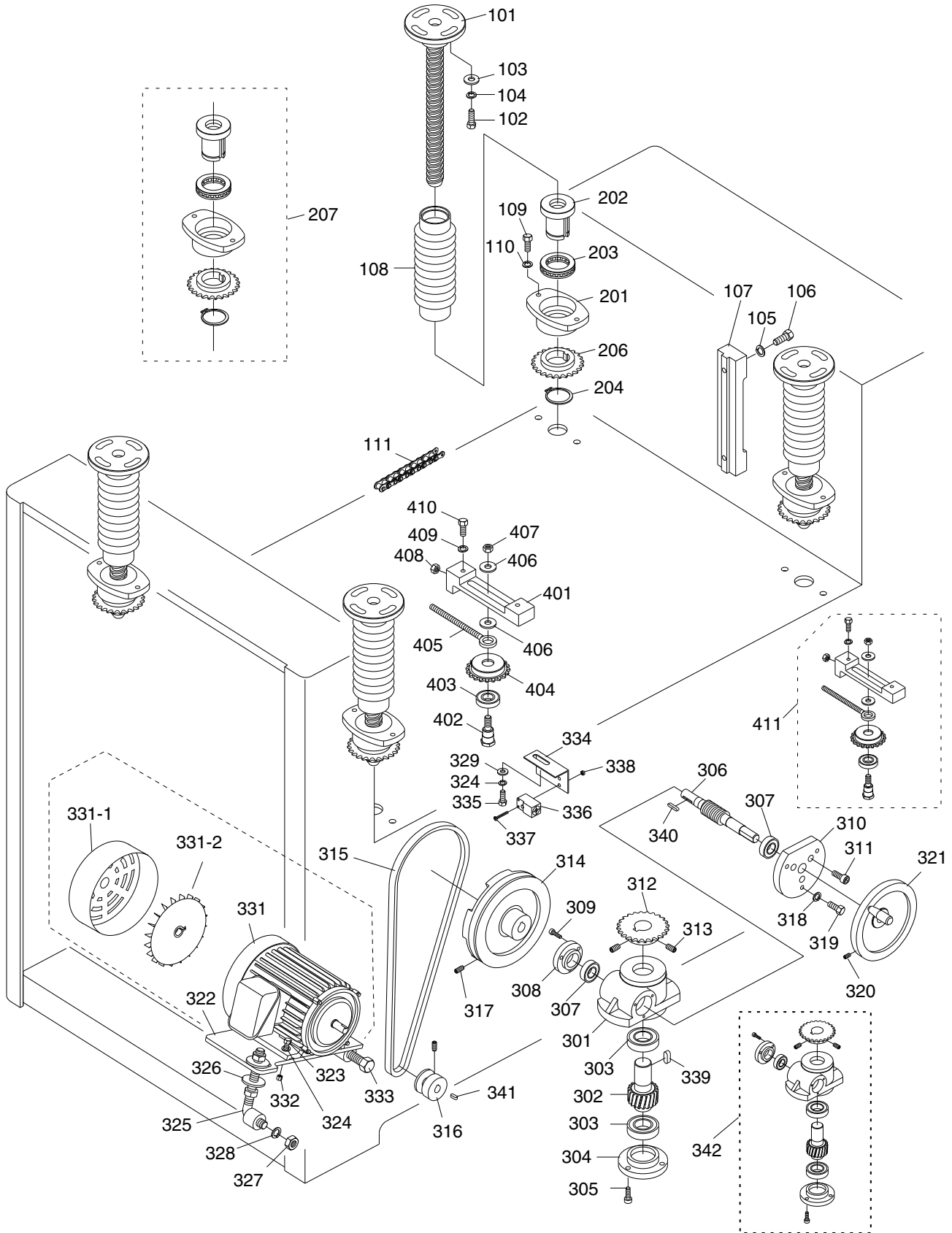


Table Lift System Parts List

REF	PART #	DESCRIPTION
101	P04862101	ELEVATION SCREW
102	PB03	HEX BOLT 5/16-18 X 1
103	PW07	FLAT WASHER 5/16
104	PLW01	LOCK WASHER 5/16
105	PLW01	LOCK WASHER 5/16
106	PB18	HEX BOLT 3/8-16 X 1
107	P04862107	ELEVATION SLIDE
108	P04862108	DUST BOOT
109	PB07	HEX BOLT 5/16-18 X 3/4
110	PLW01	LOCK WASHER 5/16
111	P05812111	CHAIN (G0486)
111	P04872111	CHAIN (G0487)
201	P04862201	NUT HOUSING
202	P04862202	NUT
203	P51107	THRUST BEARING 51107
204	PR12M	EXT RETAINING RING 35MM
206	P04862206	SPROCKET WHEEL
207	P04862207	NUT HOUSING ASSEMBLY
301	P04862301	ELEVATION GEAR BOX
302	P04862302	WORM GEAR
303	P6005	BALL BEARING 6005ZZ
304	P04862304	BEARING CAP
305	PSB05	CAP SCREW 1/4-20 X 3/4
306	P04862306	WORM SHAFT
307	P6002	BALL BEARING 6002ZZ
308	P04862308	BEARING CAP
309	PSB33	CAP SCREW 10-24 X 3/4
310	P04862310	BEARING CAP
311	PSB01	CAP SCREW 1/4-20 X 5/8
312	P04862312	SPROCKET WHEEL
313	PSS08	SET SCREW 5/16-18 X 1/2
314	P04862314	PULLEY
315	PVA36	V-BELT A-36 4L360
316	P04862316	PULLEY
317	PSS07	SET SCREW 1/4-20 X 1/2
318	PLW01	LOCK WASHER 5/16

REF	PART #	DESCRIPTION
319	PB07	HEX BOLT 5/16-18 X 3/4
320	PSS07	SET SCREW 1/4-20 X 1/2
321	P04862321	HAND WHEEL
322	P04862322	MOTOR BASE
323	PB31	HEX BOLT 1/4-20 X 1
324	PLW02	LOCK WASHER 1/4
325	P04862325	MOTOR BASE ADJ. ROD
326	PW01	FLAT WASHER 1/2
327	PN06	HEX NUT 1/2-12
328	PLW07	LOCK WASHER 1/2
329	PW06	FLAT WASHER 1/4
331	PH29332331	MOTOR 1/4HP 220V/440V 3PH
331-1	PH29332331-1	MOTOR FAN COVER
331-2	PH29332331-2	MOTOR FAN
332	PN05	HEX NUT 1/4-20
333	PB89	HEX BOLT 1/2-12 X 4-1/2
334	P04862334	PROXIMITY SWITCH PLATE
335	PB19	HEX BOLT 1/4-20 X 1/2
336	P04862336	PROXIMITY SWITCH
337	P04862337	SPECIAL SCREW M3-.5 X 35
338	PN07M	HEX NUT M3-.5
339	PK14	KEY 5/16 X 5/16 X 3/4
340	PK48M	KEY 4 X 4 X 20
341	PK37M	KEY 4 X 4 X 16
342	P04862342	ELEVATION GEAR BOX ASSY
401	P04862401	SPROCKET WHEEL ADJUSTOR
402	P04862402	SPROCKET WHEEL SHAFT
403	P6003	BALL BEARING 6003ZZ
404	P04862404	ADJUSTMENT SPROCKET
405	P04862405	SPROCKET ADJUSTMENT ROD
406	PW02	FLAT WASHER 3/8
407	PN08	HEX NUT 3/8-16
408	PN02	HEX NUT 5/16-18
409	PLW01	LOCK WASHER 5/16
410	PB07	HEX BOLT 5/16-18 X 3/4
411	P04862411	SPROCKET ASSEMBLY



Conveyor System Parts List

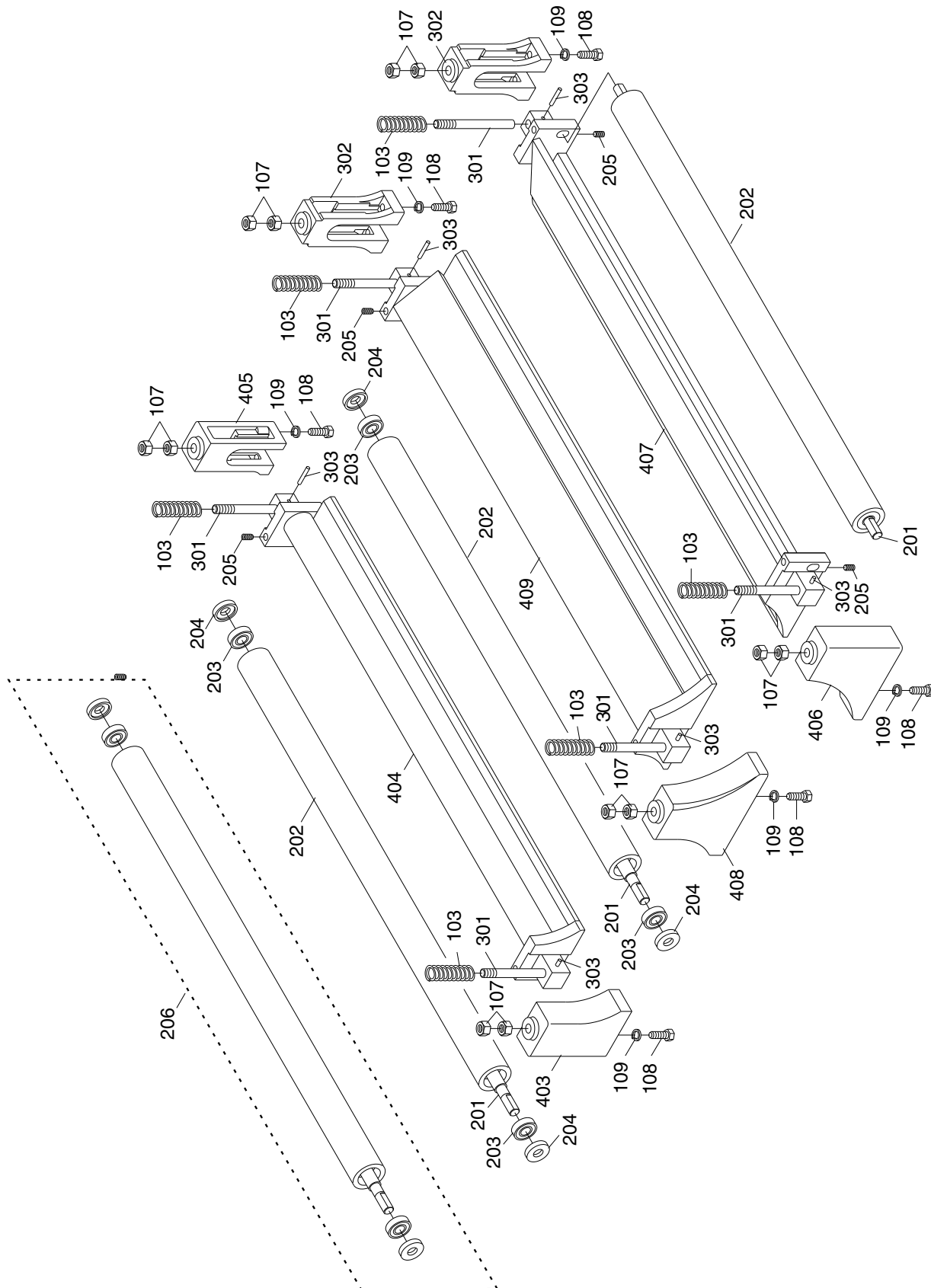
REF	PART #	DESCRIPTION
101	P05813101	CONVEYOR TABLE (G0486)
101	P04873101	CONVEYOR TABLE (G0487)
102	P05813102	CONVEYOR BELT (G0486)
102	P04873102	CONVEYOR BELT (G0487)
103	P04863103	REDUCER FIX PLATE
104	P04863104	CUSHION
105	PLW04	LOCK WASHER 3/8
106	PB18	HEX BOLT 3/8-16 X 1
107	P05813107	OUTFEED ROLLER (G0486)
107	P04873107	OUTFEED ROLLER (G0487)
108	PH29343108	BEARING UCF206
109	P04863109	GEARBOX
110	P04863110	PLUG
111	P04863111	PLUG
112	P0539326	BEARING UCF205
113	PLW04	LOCK WASHER 3/8
114	PB24	HEX BOLT 3/8-16 X 1-1/4
115	P04863115	BEARING CAP
116	P04863116	DRIVEN PULLEY
117	PB16	HEX BOLT 3/8-16 X 1-1/2
118	P04863118	DRIVING PULLEY
119	PK66M	KEY 7 X 7 X 55
120	PB07M	HEX BOLT M8-1.25 X 25
121	PLW04M	LOCK WASHER 8MM
123	P05813123	MOTOR 2HP 220/440V 3PH
123-1	P05813123-1	MOTOR FAN COVER
123-2	P05813123-2	MOTOR FAN

REF	PART #	DESCRIPTION
124	PLW06M	LOCK WASHER 10MM
126	P04863126	TIMING BELT 1422V-290
127	PSB64M	CAP SCREW M10-1.5 X 25
128	P04863128	VARIABLE SPEED UNIT BASE PLATE
129	P04863129	VARIABLE SPEED UNIT COVER
130	PB09M	HEX BOLT M8-1.25 X 20
131	P04863131	INFEED ROLLER BRACKET
132	PSB16	CAP SCREW 3/8-16 X 3/4
133	P04863133	INFEED ROLLER BRACKET
135	P04863135	CONVEYOR BLT POSITIONING WHEEL
136	PSB70	CAP SCREW 5/16-18 X 2
137	PLW01	LOCK WASHER 5/16
138	PN02	HEX NUT 5/16-18
140	P05813140	EMGNCY BRAKE PUSH-PLATE (G0486)
140	P04873140	EMGNCY BRAKE PUSH-PLATE (G0487)
141	PS04	PHLP HD SCR 1/4-20 X 1/2
142	P04863142	LIMIT SWITCH
143	PS10	PHLP HD SCR 10-24 X 1-1/2
144	PB95	HEX BOLT 1/2-12 X 3
201	P05813201	INFEED ROLLER SHAFT (G0486)
201	P04873201	INFEED ROLLER SHAFT (G0487)
202	P05813202	INFEED ROLLER (G0486)
202	P04873202	INFEED ROLLER (G0487)
203	P6206	BALL BEARING 6206ZZ
204	PR15M	EXT RETAINING RING 30MM
205	P04863205	ELEVATION LIMITER
206	PSB62	CAP SCREW 1/4-20 X 1-1/2



Feed, Drum, and Pressure Roller Diagram

4000 Series Parts



Feed, Drum, and Pressure Roller Parts List

REF	PART #	DESCRIPTION
103	P04864103	COMPRESSION SPRING
107	PN08	HEX NUT 3/8-16
108	PB12	HEX BOLT 5/16-18 X 1-1/4
109	PLW01	LOCK WASHER 5/16
201	P05814201	PISTON ROLLER SHAFT (G0486)
201	P04874201	PISTON ROLLER SHAFT (G0487)
202	P05814202	PISTON ROLLER (G0486)
202	P04874202	PISTON ROLLER (G0487)
203	P6001	BALL BEARING 6001ZZ
204	P04864204	SHAFT BEARING COLLAR
205	PSS07	SET SCREW 1/4-20 X 1/2
206	P04864206	PISTON ROLLER ASSEMBLY
301	PH29334301	ADJUSTMENT KNOB

REF	PART #	DESCRIPTION
302	P04864302	MIDDLE PISTON BRACKET
303	PRP16M	ROLL PIN 3 X 24MM
403	P04864403	LR PISTON BRACKET
404	P04864404	REAR DEFLECTOR (G0486)
404	P04874404	REAR DEFLECTOR (G0487)
405	P04864405	RR PISTON BRACKET
406	P04864406	LF PISTON BRACKET
407	P04864407	FRONT DEFLECTOR (G0486)
407	P04874407	FRONT DEFLECTOR (G0487)
408	P04864408	L MIDDLE PISTON BRACKET
409	P04864409	MIDDLE DEFLECTOR (G0486)
409	P04874409	MIDDLE DEFLECTOR (G0487)



Sanding Drum and Platen Parts List

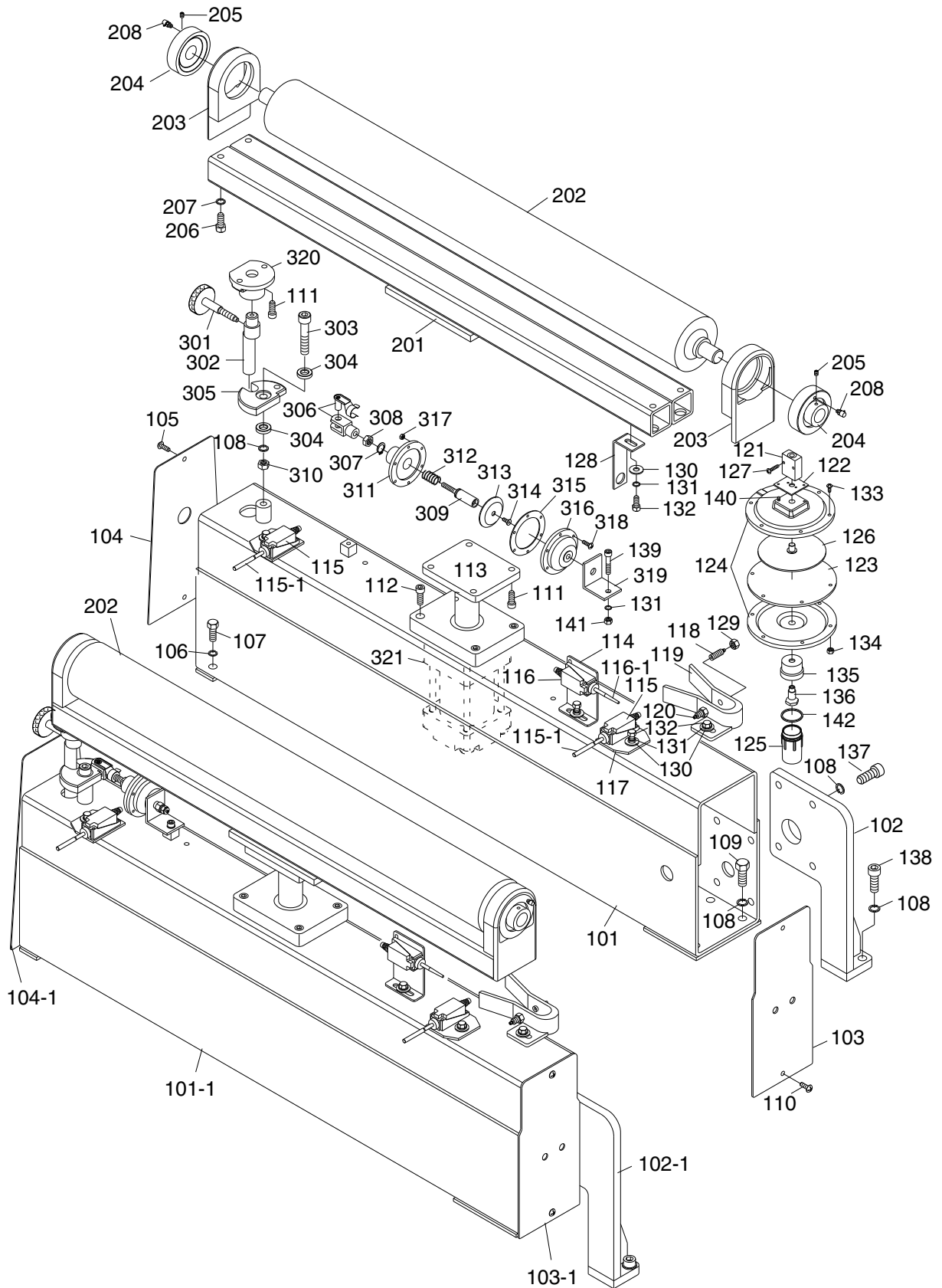
REF	PART #	DESCRIPTION
101	P04865101	BEARING HOUSING
102	P05815102	RUBBER ROLLER (G0486)
102	P04875102	RUBBER ROLLER (G0487)
103	P04865103	FASTENING TUBE
104	P05275104	CYL. CARTRIDGE BEARING UCC206
105	P04865105	PULLEY
106	PSB11	CAP SCREW 5/16-18 X 1-1/4
107	PK11	KEY 5/16 X 5/16 X 1-3/16
108	PLW01	LOCK WASHER 5/16
109	P6205	BALL BEARING 6205ZZ
110	PLW07	LOCK WASHER 1/2
111	PSB76	CAP SCREW 1/2-12 X 1-1/2
112	PSB04	CAP SCREW 1/4-20 X 1/2
113	P04865113	BEARING CAP
114	P04865114	GREASE FITTING W/CAP
115	P04865115	GREASE FITTING W/CAP
116	P04865116	PLUG
117	P04865117	PULLEY COVER
118	PS04	PHLP HD SCR 1/4-20 X 1/2
119	P04865119	SPANNER NUT
201	P04865201	BEARING HOUSING
202	P05815202	STEEL ROLLER (G0486)
202	P04875202	STEEL ROLLER (G0487)
203	P04865203	SPECIAL CAP SCREW M6-.75 X 6
204	P05275104	CYL. CARTRIDGE BEARING UCC205
205	P04865205	HANDLE
206	P04865206	SPECIAL SCREW
211	P04865211	BEARING BRACKET PAD
301	P05815301	44" GRAPHITE BRACKET MALE (G0486)
301	P04875301	52" GRAPHITE BRACKET MALE (G0487)
302	P05815302	44" GRAPHITE BRACKET FML (G0486)
302	P04875302	52" GRAPHITE BRACKET FML (G0487)
303	P05810004	44" FELT PLATEN PAD (G0486)
303	P04875303	52" FELT PLATEN PAD (G0487)
304	P05810005	GRAPHITE 44" X 3.54" (G0486)
304	P04875304	GRAPHITE 52" X 3.54" (G0487)

REF	PART #	DESCRIPTION
305	PS01	PHLP HD SCR 10-24 X 1/2
306	P05815306	GRAPHITE PRESSURE PLATE (G0486)
306	P04875306	GRAPHITE PRESSURE PLATE (G0487)
307	P04865307	GRAPHITE BRACKET BASE
308	P04865308	GRAPHITE BRACKET SHAFT (G0486)
308	P04875308	GRAPHITE BRACKET SHAFT (G0487)
309	P04865309	LOCK COLLAR
310	PSS03	SET SCREW 1/4-20 X 3/8
311	PK110	KEY 1/4 X 1/4 X 1
312	P04865312	COMPRESSION SPRING
313	P04865313	HOUSING
314	P04865314	GRAPHITE BRACKET SHAFT
315	PSB16	CAP SCREW 3/8-16 X 3/4
316	PW02	FLAT WASHER 3/8
317	PW02	FLAT WASHER 3/8
318	P04865318	HANDLE
319	PSS08	SET SCREW 5/16-18 X 1/2
320	P04865320	ADJUSTMENT RING
321	PB03	HEX BOLT 5/16-18 X 1
322	PW07	FLAT WASHER 5/16
323	P04865323	HANDLE
325	P04865325	GRAPHITE BRACKET ADJ. ASSEMBLY
401	P04865401	BEARING HOUSING
402	P05815402	RUBBER ROLLER (G0486)
402	P04875402	RUBBER ROLLER (G0487)
403	P04865403	FASTENING TUBE
404	P05275104	CYL. CARTRIDGE BEARING UCC206
405	P04865405	PULLEY
406	PSB11	CAP SCREW 5/16-18 X 1-1/4
407	P04865407	BEARING HOUSING
408	P04865408	BEARING BRACKET PAD
409	P6206	BEARING 6206ZZ
410	P04865410	SPANNER NUT
411	P04865411	BEARING CAP
417	P04865417	PULLEY COVER



Upper Roller System Diagram

6000 Series Parts



Upper Roller System Parts List

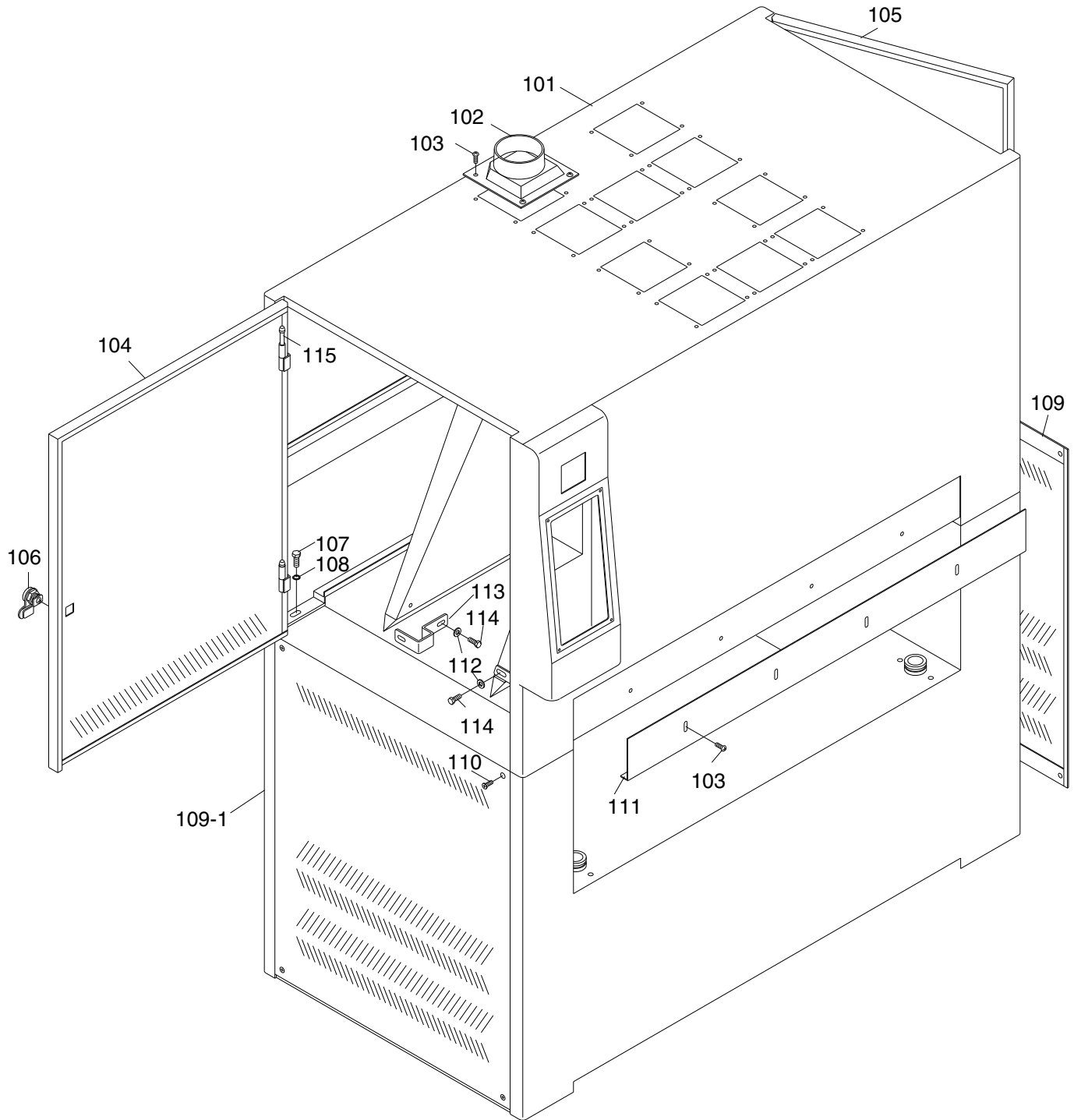
REF	PART #	DESCRIPTION
101	P04866101	SQUARE FRAME REAR (G0486)
101	P04876101	SQUARE FRAME REAR (G0487)
101-1	P04866101-1	SQUARE FRAME FRONT (G0486)
101-1	P04876101-1	SQUARE FRAME FRONT (G0487)
102	P04866102	REAR BRACKET (G0486)
102	P04876102	REAR BRACKET (G0487)
102-1	P04866102-1	FRONT BRACKET (G0486)
102-1	P04876102-1	FRONT BRACKET (G0487)
103	P04866103	FRAME SEAL RIGHT (G0486)
103	P04876103	FRAME SEAL RIGHT (G0487)
103-1	P04866103-1	FRAME SEAL FRNT RIGHT (G0486)
103-1	P04876103-1	FRAME SEAL FRNT RIGHT (G0487)
104	P04866104	FRAME SEAL LEFT (G0486)
104	P04876104	FRAME SEAL LEFT (G0487)
104-1	P04866104-1	FRAME SEAL FRNT LEFT (G0486)
104-1	P04876104-1	FRAME SEAL FRNT LEFT (G0487)
105	PFH03	FLAT HD SCR 1/4-20 X 1/2
106	PLW04	LOCK WASHER 3/8
107	PB18	HEX BOLT 3/8-16 X 1
108	PLW07	LOCK WASHER 1/2
109	PB40	HEX BOLT 1/2-12 X 1-1/4
110	PS04	PHLP HD SCR 1/4-20 X 1/2
111	PSB07	CAP SCREW 5/16-18 X 3/4
112	PB03	HEX BOLT 5/16-18 X 1
113	P04866113	AIR CYLINDER
114	P04866114	LIMIT SWITCH HOLDER L-TYPE
115	P04866115	LIMIT SWITCH W/CERAMIC TIP
115-1	P04866115-1	CERAMIC TIP
116	P04866116	LIMIT SWITCH W/PLASTIC TIP
116-1	P04866116-1	PLASTIC TIP
117	P04866117	LIMIT SWITCH HOLDER
118	P04866118	AIR SENSOR NOZZLE FEMALE
119	P04866119	AIR FORK
120	P04866120	AIR SENSOR NOZZLE MALE
121	P04866121	THROTTLE VALVE
122	P04866122	THROTTLE VALVE BASE
123	P04866123	DIAPHRAGM
124	P04866124	HOUSING ASSEMBLY
125	P04866125	OIL CAP
126	P04866126	ALUMINUM PLATE
127	PS02M	PHLP HD SCR M4-.7 X 12
128	P04866128	SHUTDOWN BRACKET
129	PN11	HEX NUT 3/8-24
130	PW07	FLAT WASHER 5/16

REF	PART #	DESCRIPTION
131	PLW01	LOCK WASHER 5/16
132	PB09	HEX BOLT 5/16-18 X 1/2
133	PS08	PHLP HD SCR 10-24 X 3/4
134	PN07	HEX NUT 10-24
135	P04866135	CONNECTOR OF OIL CAP
136	P04866136	SHAFT OF OIL CAP
137	PSB76	CAP SCREW 1/2-12 X 1-1/2
138	PB53	HEX BOLT 1/2-12 X 1
139	PSB08	CAP SCREW 5/16-18 X 1-1/2
140	PFH25M	FLAT HD SCR M4-.7 X 12
141	PN02	HEX NUT 5/16-18
142	P04866142	O-RING
201	P04866201	UPPER ROLLER BRACKET (G0486)
201	P04876201	UPPER ROLLER BRACKET (G0487)
202	P05816202	UPPER ROLLER (G0486)
202	P04876202	UPPER ROLLER (G0487)
203	P04866203	UPPER ROLLER BRACKET
204	P05275104	CYL. CARTRIDGE BEARING UCC205
205	PSS02M	SET SCREW M6-1 X 6
206	PSB16	CAP SCREW 3/8-16 X 3/4
207	PLW04	LOCK WASHER 3/8
208	P04866208	GREASE FITTING W/DUST CAP
301	P05816301	TRIMMING SCREW 2 X 90MM (G0486)
301	P04876301	TRIMMING SCREW 2 X 90MM (G0487)
302	P04866302	ECCENTRIC ROD
303	PBS98	CAP SCREW 1/2-12 X 2-3/4
304	PW01	FLAT WASHER 1/2
305	P04866305	ECCENTRIC
306	P04866306	CLEVIS ASSEMBLY
307	PR05M	EXT RETAINING RING 15MM
308	PN02M	HEX NUT M10-1.5
309	P04866309	SHAFT OF AIR CYLINDER
310	PN06	HEX NUT 1/2-12
311	P04866311	BOTTOM COVER
312	P04866312	COMPRESSION SPRING
313	P04866313	ALUMINUM PLATE
314	PFH02M	FLAT HD SCR M6-1 X 12
315	P04866315	DIAPHRAGM
316	P04866316	TOP COVER
317	PN07	HEX NUT 10-24
318	PS08	PHLP HD SCR 10-24 X 3/4
319	P04866319	AIR CYLINDER BASE
320	P04866320	ECCENTRIC SHAFT FRAME
321	P04866321	AIR CYLINDER ASSEMBLY



Cabinet Assembly Diagram

7000 Series Parts



Cabinet Assembly Parts List

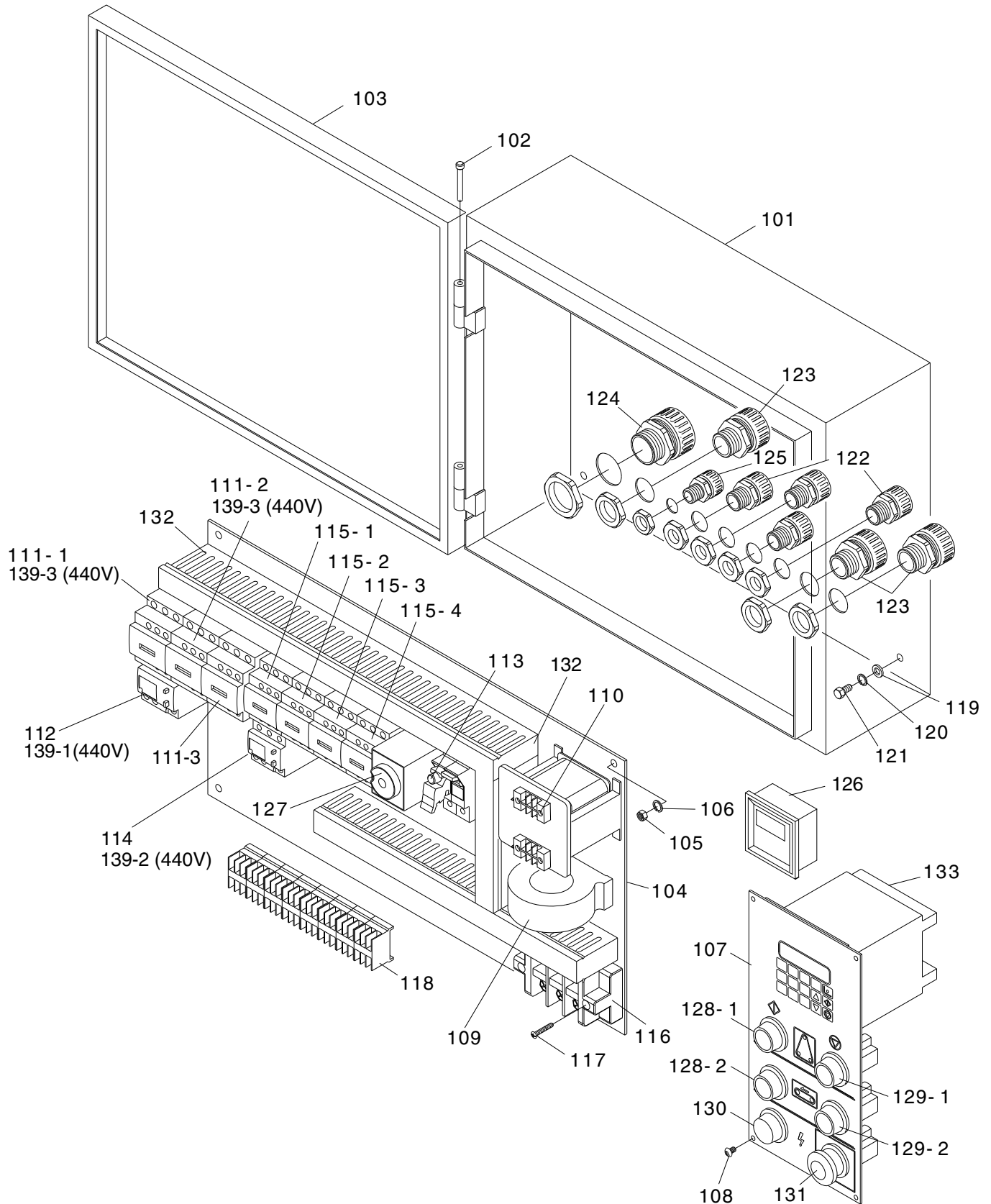
REF	PART #	DESCRIPTION
101	P04867101	UPPER FRAME COVER (G0486)
101	P04877101	UPPER FRAME COVER (G0487)
102	P04867102	DUST PORT 4"
103	PS14M	PHLP HD SCR M6-1 X 12
104	P04867104	LEFT ACCESS PANEL
105	P04867105	RIGHT ACCESS PANEL
106	P04867106	DOOR LOCK
107	PB07	HEX BOLT 5/16-18 X 3/4
108	PW07	FLAT WASHER 5/16

REF	PART #	DESCRIPTION
109	P05817109	RIGHT DOOR, LOWER FRAME
109-1	P05817109-1	LEFT DOOR, LOWER FRAME
110	PFH03	FLAT HD SCR 1/4-20 X 1/2
111	P05817111	FRONT PROTECTION PLATE (G0486)
111	P04877111	FRONT PROTECTION PLATE (G0487)
112	PW06	FLAT WASHER 1/4
113	P04867113	FIXING PLATE
114	PB02M	HEX BOLT M6-1 X 12
115	P04867115	HINGE BOLT



Main Electrical Panel and Controls Diagram

8000 Series Parts



Main Electrical Panel and Controls Parts List

REF	PART #	DESCRIPTION
101	P04868101	ELECTRICAL CONTROL BOX (G0486)
101	P04878101	ELECTRICAL CONTROL BOX (G0487)
102	P04868102	HINGE BOLT
103	P04868103	ELECTRICAL CTRL BOX DOOR (G0486)
103	P04878103	ELECTRICAL CTRL BOX DOOR (G0487)
104	P04868104	BASE PLATE (G0486)
104	P04878104	BASE PLATE (G0487)
105	PN05	HEX NUT 1/4-20
106	PLW02	LOCK WASHER 1/4
107	P04868107	CONTROL PANEL
108	PS07M	PHLP HD SCR M4-.7 X 8
109	P04868109	CURRENT SENSOR
110	P04868110	TRANSFORMER
111-1	P04868111-1	CONTACTOR LC1-D386 (G0486)
111-1	P04878111-1	CONTACTOR LC1-D40 (G0487)
111-2	P04868111-2	CONTACTOR LC1-D386 (G0486)
111-2	P04878111-2	CONTACTOR LC1-D40 (G0487)
111-3	P04868111-3	CONTACTOR LC1-D326 (G0486)
111-3	P99798111-3	CONTACTOR LC1-D386 (G0487)
112	P04868112	RELAY LR3D-356 220V (30-38A) (G0486)
112	P04878112	RELAY LR3D-3355 220V (30-40A) (G0487)
113	P04868113	FUSE TE10.3 X 38 & 500V/4A
114	P05818114	RELAY LR3D-126 220V (5.5-8A)
115-1	PH29338115	CONTACTOR LC1-D096
115-2	P04868115-2	CONTACTOR LC1-096 (WITH LOCK)

G0486 440V CONVERSION KIT

139	P04868139	440V CONVERSION KIT(G0486)
139-1	PH29348134	THERMAL RELAY LR3D-216 440V (12-18A) (G0486)
139-2	P99809139A	THERMAL RELAY LR3D-086 440V (2.5-4A) (G0486)

REF	PART #	DESCRIPTION
115-3	P04868115-3	CONTACTOR LC1-096 (WITH LOCK)
115-4	PH29338115	CONTACTOR LC1-D096
116	P05818116	POWER WIRE TERMINAL
117	PS51M	PHLP HD SCR M4-.7 X 30
118	P04868118	TERMINAL PLATE
119	PW06	FLAT WASHER 1/4
120	PLW02	LOCK WASHER 1/4
121	PB19	HEX BOLT 1/4-20 X 1/2
122	P04868122	PU CONNECTOR 1/2"
123	P04868123	PU CONNECTOR 3/4"
124	P04868124	CABLE CONNECTOR 1"
126	PH29338126A	DIGITAL AMP METER N/S (G0486, G0487)
127	P04868127	START DELAY LSD (STAR-DELTA) (G0486)
127	P04878127	START DELAY LSD (STAR-DELTA) (G0487)
128-1	PH29338128-1	SANDING BELT START SWITCH
128-2	PH29338128-2	CONVEYOR BELT START SWITCH
129-1	PH29338129-1	SANDING BELT STOP SWITCH
129-2	PH29338129-2	CONVYR BELT STOP SWITCH
130	PH29338130	POWER INDICATION LIGHT
131	PH29338131	EMERGENCY STOP SWITCH
132	PH29338132	WIRE COLUMN
133	PH29338133	COMPUTER

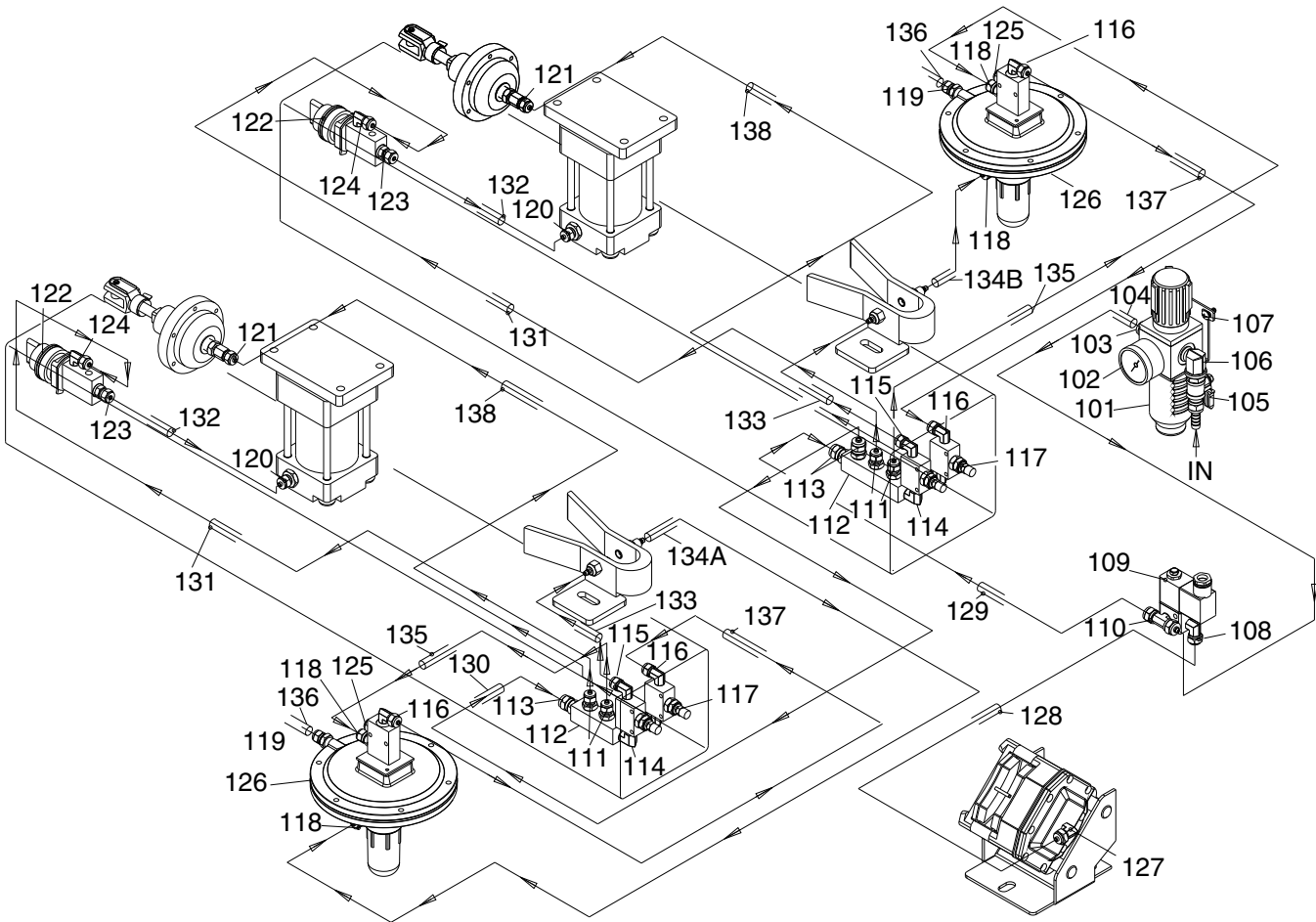
G0487 440V CONVERSION KIT

139	P04878139	440V CONVERSION KIT(G0487)
139-1	P99809139A-1	THERMAL RELAY LR3D-226 440V(16-24A) (G0487)
139-2	P99809139A-3	THERMAL RELAY LR3D-086 440V (2.5-4A) (G0487)
139-3	P04878139-3	CONTACTOR SET LC1-D386 440V (G0487)



Air System Diagram

9000 Series Parts



Air System Parts List

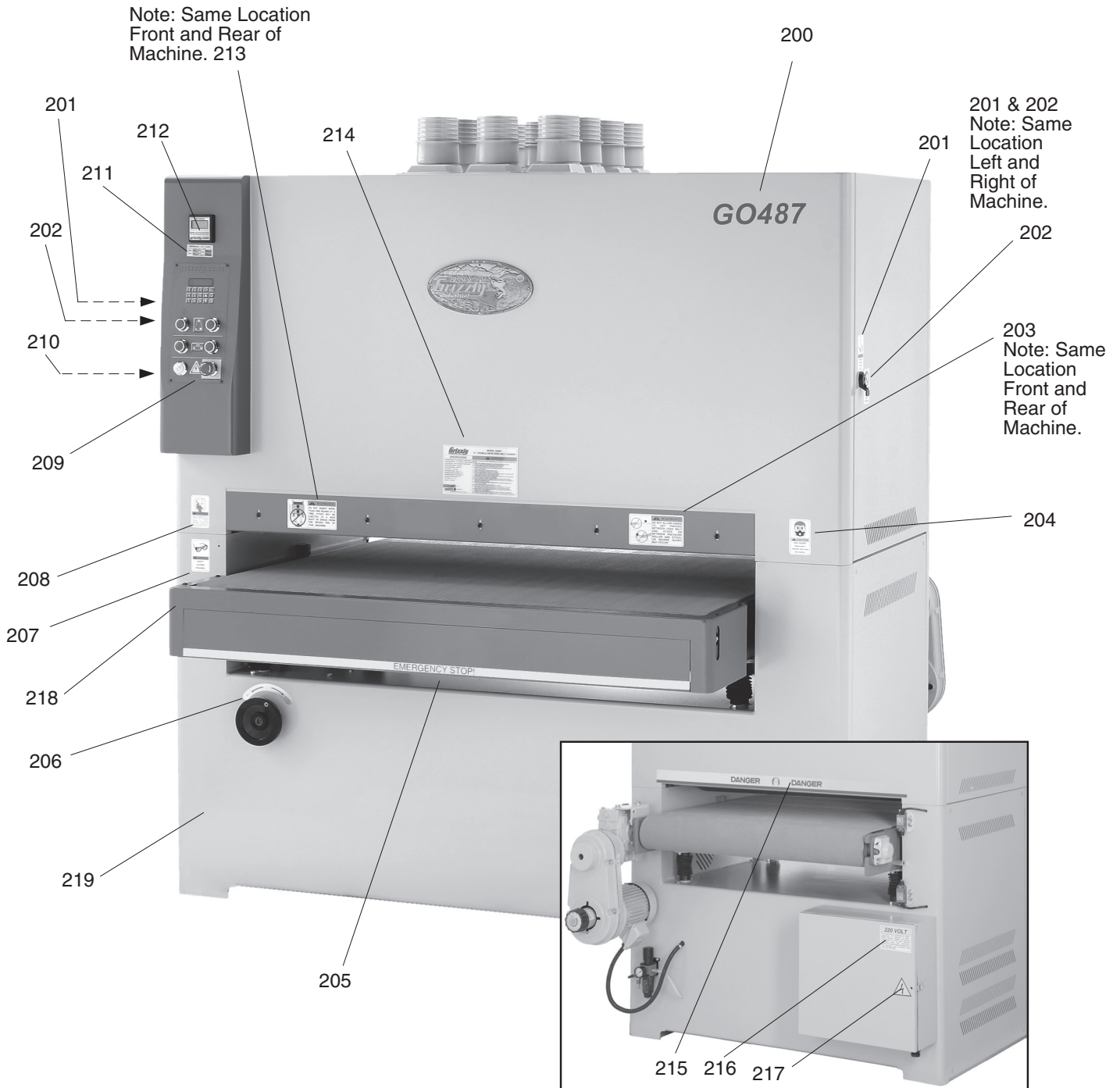
REF	PART #	DESCRIPTION
101	PH29339101	FILTER CUP
102	PH29339102	PRESSURE REGULATOR W/GAUGE
103	PH29339103	BRONZE CONNECTOR 5/16N X 1/4T
104	PH29339104	8 X 900MM FLEXIBLE HOSE
105	PH29339105	AIR VALVE 1/4"
106	PH29339106	ELBOW 1/4T X 1/4T 90°
107	PS22	PHLP HD SCR 10-24 X 5/8
108	PH29339108	ELBOW 5/16N X 1/8T 90°
109	PH29339109	SOLENOID VALVE
110	PH29339110	T-FITTING 5/16N X 5/16N X 1/8T
111	PH29339111	PLASTIC CONNECTOR 1/4N X 1/4T
112	PH29339112	MANIFOLD 1/4N
113	P04869113	PLASTIC CONNECTOR 5/16N X 1/4T
114	P04869114	BRONZE ELBOW 1/4T X 1/8T-90
115	PH29339115	PLASTIC CONNECTOR 1/4N X 1/8T 90°
116	PH29339116	PLASTIC CONNECTOR 1/4N X 1/8T 90°
117	PH29339117	THROTTLE VALVE 1/8"
118	P04869118	PLASTIC CONNECTOR 1/4N X 1/8T
119	P04869119	BRONZE CONNECTOR 1/4N X 1/4
120	P04869120	PLASTIC CONNECTOR 1/4N X 3/8T
121	PH29339121	PLASTIC CONNECTOR 1/4N X 1/8T

REF	PART #	DESCRIPTION
122	PH29339122	AIR SWITCH 1/8"
123	PH29339123	CONNECTOR 1/4N X 1/8T
124	PH29339124	CONNECTOR 1/4N X 1/8T 90°
125	P04869125	BUFFER 1/8"(BRONZE)
126	P04869126	DIAPHRAGM ASSEMBLY
127	PH29339127	CONNECTOR 5/16N X 1/8T 90°
128	PH29339128	8 X 900MM FLEXIBLE HOSE
129	PH29339129	8 X 1650MM FLEXIBLE HOSE
130	P04869130	6MM FLEXIBLE HOSE
131	P04869131	6 X 1700MM FLEXIBLE HOSE (G0486)
131	P04879131	6 X 1800MM FLEXIBLE HOSE (G0487)
132	P04869132	6 X 800MM FLEXIBLE HOSE (G0486)
132	P04879132	6 X 950MM FLEXIBLE HOSE (G0487)
133	PH29339133	6 X 600MM FLEXIBLE HOSE
134A	PH29339134	6 X 650MM FLEXIBLE HOSE FRONT
134B	PH29339134	6 X 300MM FLEXIBLE HOSE REAR
135	PH29339135	6 X 700MM FLEXIBLE HOSE
136	PH29339136	6 X 350MM FLEXIBLE HOSE
137	PH29339137	6 X 700MM FLEXIBLE HOSE
138	P04869138	6 X 1500MM FLEXIBLE HOSE (G0486)
138	P04879138	6 X 1700MM FLEXIBLE HOSE (G0487)



Machine Label Diagram

9000 Series Parts



WARNING

Safety labels warn about machine hazards and ways to prevent injury. The owner of this machine **MUST** maintain the original location and readability of the labels on the machine. If any label is removed or becomes unreadable, **REPLACE** that label before using the machine again. Contact Grizzly at (800) 523-4777 or www.grizzly.com to order new labels.



Machine Label List

REF	PART #	DESCRIPTION
200	P04869200	MODEL G0486 LABEL
200	P04879200	MODEL G0487 LABEL
201	PLABEL-13	UNPLUG SANDER LABEL
202	PLABEL-30	DOOR CLOSED LABEL
203	PLABEL-22	HAND PINCH IN BELT LABEL
204	PLABEL-32	DUST MASK LABEL
205	P05819205	EMERGENCY STRIPE LABEL
206	PH29339206	ROTATION LABEL LABEL
207	PLABEL-11	SAFETY GLASSES LABEL
208	PLABEL-12	READ MANUAL LABEL
209	PH29339209	CONTROL PANEL FACE LABEL
210	PLABEL-27	CONVERSION CHART LABEL

REF	PART #	DESCRIPTION
211	P04869211	G0486 AMP SCALE LABEL
211	P04879211	G0487 AMP SCALE LABEL
212	PH29339212	LOAD METER FACE LABEL
213	PLABEL-17	FEED ONLY ONE LABEL
214	P04869214	G0486 DATA LABEL
214	P04879214	G0487 DATA LABEL
215	P05819215	DANGER STRIPE LABEL
216	PH29339216	220-VOLT, 3 PHASE PREWIRED LABEL
217	PLABEL-14	ELECTRICITY
218	PPAINT-1	PAINT-GRIZZLY GREEN
219	PPAINT-11	PUTTY TOUCH UP PAINT

