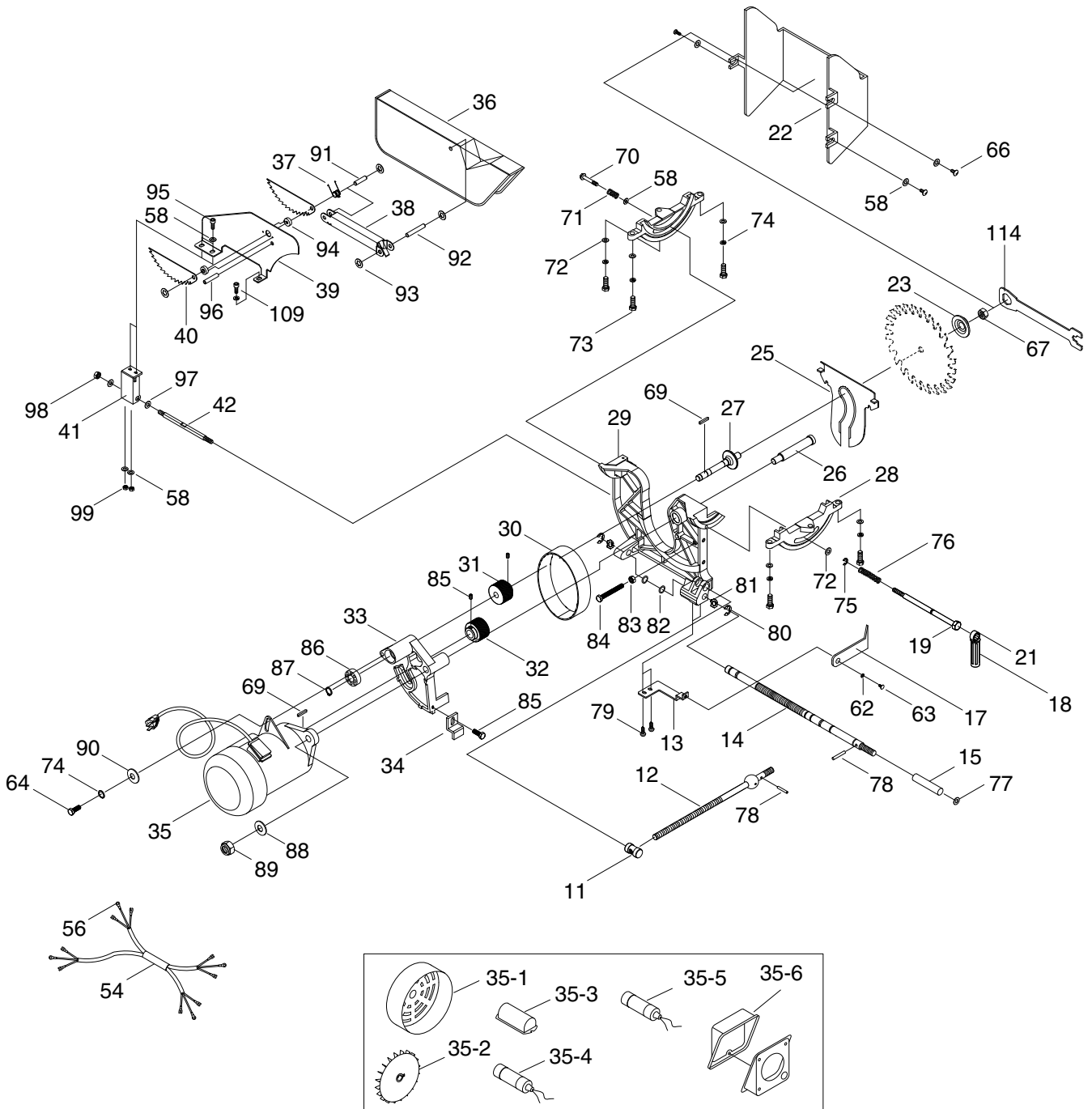
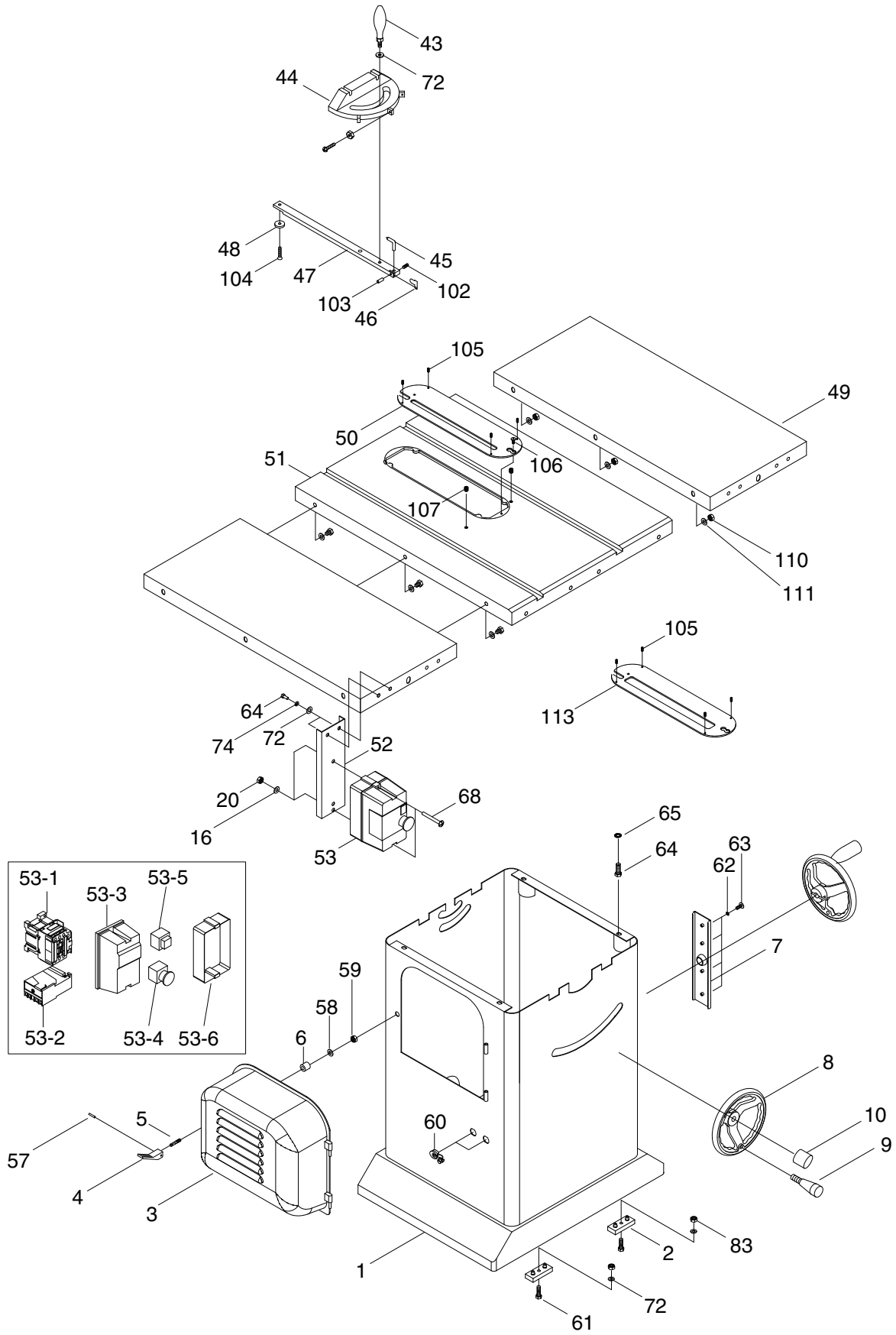


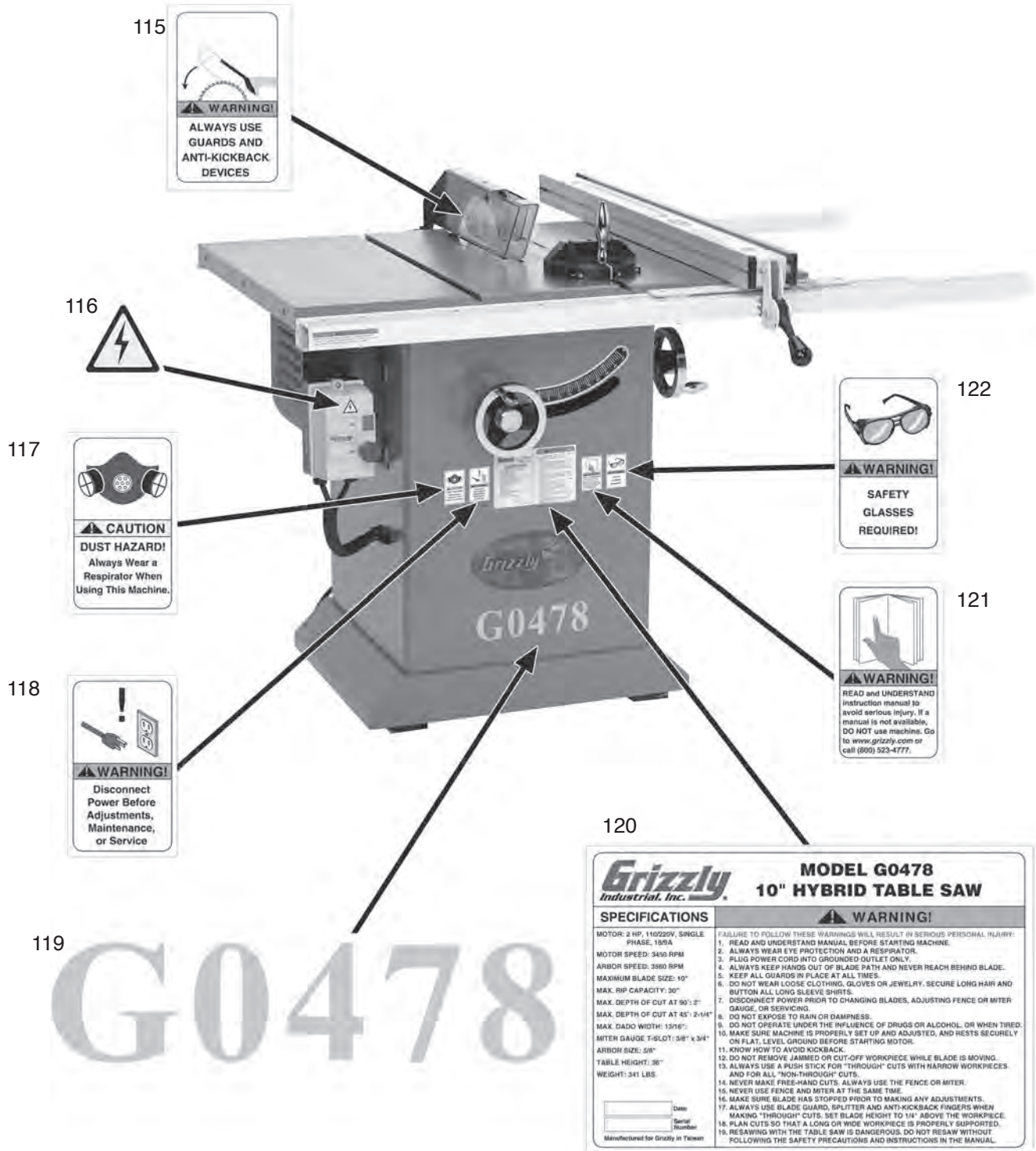
Parts Breakdown



Parts Breakdown



Safety Labels



115
WARNING!
 ALWAYS USE GUARDS AND ANTI-KICKBACK DEVICES

116

117
CAUTION
 DUST HAZARD!
 Always Wear a Respirator When Using This Machine.

118
WARNING!
 Disconnect Power Before Adjustments, Maintenance, or Service

122
WARNING!
 SAFETY GLASSES REQUIRED!

121
WARNING!
 READ and UNDERSTAND instruction manual to avoid serious injury. If a manual is not available, DO NOT use machine. Go to www.grizzly.com or call (800) 523-4777.

120

Grizzly Industrial, Inc. **MODEL G0478**
10" HYBRID TABLE SAW

SPECIFICATIONS	WARNING!
MOTOR: 2 HP, 110/220V, SINGLE PHASE, 180A	FAILURE TO FOLLOW THESE WARNINGS WILL RESULT IN SERIOUS PERSONAL INJURY. 1. READ AND UNDERSTAND MANUAL BEFORE STARTING MACHINE. 2. ALWAYS WEAR EYE PROTECTION AND A RESPIRATOR. 3. PLUG POWER CORD INTO GROUNDED OUTLET ONLY. 4. ALWAYS KEEP HANDS OUT OF BLADE PATH AND NEVER REACH BEHIND BLADE. 5. KEEP ALL GUARDS IN PLACE AT ALL TIMES. 6. DO NOT WEAR LOOSE CLOTHING, GLOVES OR JEWELRY. SECURE LONG HAIR AND BUTTON ALL LONG SLEEVE SHIRTS. 7. DISCONNECT POWER PRIOR TO CHANGING BLADES, ADJUSTING FENCE OR MITER GAUGE, OR SERVICING. 8. DO NOT EXPOSE TO RAIN OR DAMPNESS. 9. DO NOT OPERATE UNDER THE INFLUENCE OF DRUGS OR ALCOHOL OR WHEN TIRED. 10. MAKE SURE MACHINE IS PROPERLY SET UP AND ADJUSTED, AND NESTS SECURELY ON FLAT, LEVEL GROUND BEFORE STARTING MOTOR. 11. KNOW HOW TO AVOID KICKBACK. 12. DO NOT REMOVE, JAMMED OR CUT-OFF WORKPIECE WHILE BLADE IS MOVING. 13. ALWAYS USE A PUSH STICK FOR "THROUGH" CUTS WITH NARROW WORKPIECES AND FOR ALL "NON-THROUGH" CUTS. 14. NEVER MAKE FREE-HAND CUTS. ALWAYS USE THE FENCE OR MITER. 15. NEVER USE FENCE AND MITER AT THE SAME TIME. 16. MAKE SURE BLADE HAS STOPPED PRIOR TO MAKING ANY ADJUSTMENTS. 17. ALWAYS USE BLADE GUARD, SPLITTER AND ANTI-KICKBACK FINGERS WHEN MAKING "THROUGH" CUTS. SET BLADE HEIGHT TO 1/8" ABOVE THE WORKPIECE. 18. PLAN CUTS SO THAT A LONG OR WIDE WORKPIECE IS PROPERLY SUPPORTED. 19. RESAWING WITH THE TABLE SAW IS DANGEROUS. DO NOT RESAW WITHOUT FOLLOWING THE SAFETY PRECAUTIONS AND INSTRUCTIONS IN THE MANUAL.
MOTOR SPEED: 3450 RPM	
ARBOR SPEED: 3860 RPM	
MAXIMUM BLADE SIZE: 10"	
MAX. RIP CAPACITY: 30"	
MAX. DEPTH OF CUT AT 90°: 2"	
MAX. DEPTH OF CUT AT 45°: 2-1/4"	
MAX. DADO WIDTH: 13/16"	
MITER GAUGE T-SLOT: 3/8" x 3/4"	
ARBOR SIZE: 5/8"	
TABLE HEIGHT: 36"	
WEIGHT: 341 LBS.	
Date: _____	
Serial Number: _____	
Manufactured for Grizzly in Taiwan	

119
G0478

!WARNING

Safety labels warn about machine hazards and ways to prevent injury. The owner of this machine **MUST** maintain the original location and readability of the labels on the machine. If any label is removed or becomes unreadable, **REPLACE** that label before using the machine again. Contact Grizzly at (800) 523-4777 or www.grizzly.com to order new labels.



Parts List

REF	PART #	DESCRIPTION
1	P0478001	CABINET
2	P0478002	PLASTIC FOOT
3	P0478003	MOTOR COVER
4	P0478004	DOOR RELEASE LEVER
5	P0478005	THREADED ROD M6-1
6	P0478006	RUBBER BUSHING
7	P0478007	BRACKET
8	P0478008	HANDWHEEL
9	P0478009	HANDLE 3/8 X 110MM (STEEL)
10	P0478010	LOCK KNOB 1/2-12
11	P0478011	TILT LEADSCREW NUT
12	P0478012	LONG SHAFT
13	P0478013	POINTER BRACKET
14	P0478014	ELEVATION LEADSCREW
15	P0478015	SLEEVE
16	P0478016	FLAT WASHER #10
17	P0478017	POINTER
18	P0478018	LOCK HANDLE
19	P0478019	LOCK ROD
20	P0478020	HEX NUT 10-24
21	P0478021	LOCK HANDLE
22	P0478022	DUST COLLECTING PLATE
23	P0478023	ARBOR FLANGE
25	P0478025	MOTOR PLATE
26	P0478026	ARBOR BRACKET SHAFT
27	P0478027	MAIN ARBOR
28	P0478028	FR TRUNNION BRACKET
29	P0478029	MAIN TRUNNION
30	P0478030	BELT 150J X 12
31	P0478031	ARBOR PULLEY
32	P0478032	MOTOR PULLEY
33	P0478033	ARBOR BRACKET
34	P0478034	UPPER STOP

REF	PART #	DESCRIPTION
35	P0478035	MOTOR
35-1	P0478035-1	MOTOR FAN COVER
35-2	P0478035-2	MOTOR FAN
35-4	P0478035-4	CAPACITOR 30M 250V
35-5	P0478035-5	CAPACITOR 400M 125VAC
35-6	P0478035-6	WIRING BOX
36	P0478036	BLADE GUARD
37	P0478037	TORSION SPRING
38	P0478038	SUPPORT ARM
39	P0478039	SPLITTER
40	P0478040	ANTI-KICK PLATE
41	P0478041	SPLITTER BRACKET
42	P0478042	SPLITTER ROD
43	P0478043	MITER GAUGE HANDLE
44	P0478044	MITER GAUGE BODY
45	P0478045	POINTER
46	P0478046	LOCATING PLATE
47	P0478047	MITER BAR
48	P0478048	SPECIAL WASHER 1/4
49	P0478049	SOLID EXTENSION WING
50	P0478050	TABLE INSERT
51	P0478051	TABLE
52	P0478052	SWITCH BRACKET
53	P0478053	MAGNETIC SWITCH ASSEMBLY 110V
53A	P0478053A	MAGNETIC SWITCH ASSY 220V 2HP
53-1	P0478053-1	CONTACTOR 110V TAI-CYUAN
53-2	P0478053-2	RELAY 110V TAI-CYUAN
53-3	P0478053-3	FRONT COVER
53-4	P0478053-4	STOP BUTTON
53-5	P0478053-5	START BUTTON
53-6	P0478053-6	BACK COVER
54	P0478054	CORD SLEEVE



Parts List

REF	PART #	DESCRIPTION
56	P0478056	POWER CORD 110V, SHORT
57	P0478057	ROLL PIN 3 X 18
58	P0478058	FLAT WASHER 1/4
59	P0478059	LOCK NUT M6-1
60	P0478060	STRAIN RELIEF
61	P0478061	PHLP HD SCR 5/16-18 X 5/8
62	P0478062	FLAT WASHER #8
63	P0478063	PHLP HD SCR 8-32 X 3/8
64	P0478064	HEX BOLT 5/16-18 X 5/8
65	P0478065	EXT TOOTH WASHER 8MM
66	P0478066	PHLP HD SCR 1/4-20 X 1/2
67	P0478067	FLANGE NUT TW 5/8-12
68	P0478068	FLANGE SCR 10-24 X 9/16
69	P0478069	KEY 5 X 5 X 40
70	P0478070	SPECIAL BOLT 1/4-20 X 40
71	P0478071	COMPRESSION SPRING
72	P0478072	FLAT WASHER 5/16
73	P0478073	HEX BOLT 5/16-18 X 1
74	P0478074	LOCK WASHER 5/16
75	P0478075	EXT RETAINING RING 10MM
76	P0478076	COMPRESSION SPRING
77	P0478077	FLAT WASHER 14MM
78	P0478078	ROLL PIN 5 X 40
79	P0478079	PHLP HD SCR 1/4-20 X 1/2
80	P0478080	EXT RETAINING RING 16MM
81	P0478081	WAVY WASHER 16MM
82	P0478082	EXT RETAINING RING 16MM
83	P0478083	HEX NUT 5/16-18
84	P0478084	HEX BOLT 5/16-18 X 3
85	P0478085	SET SCREW 1/4-20 X 1/4
86	P0478086	BALL BEARING 6202-2RS 5/8
87	P0478087	EXT RETAINING RING 15MM

REF	PART #	DESCRIPTION
88	P0478088	FLAT WASHER 5/8
89	P0478089	NYLON NUT 5/8-11
90	P0478090	FLAT WASHER 5/16
91	P0478091	SHORT PIN 6 X 33
92	P0478092	LONG PIN 6 X 47
93	P0478093	RETAINER
94	P0478094	SPACER
95	P0478095	CAP SCREW 5/16-18 X 1
96	P0478096	ROLL PIN 6 X 20
97	P0478097	FLAT WASHER 1/2
98	P0478098	HEX NUT 1/2-12
99	P0478099	HEX NUT 5/16-18
102	P0478102	SET SCREW 1/4-20 X 1/4
103	P0478103	ROLL PIN 3 X 6
104	P0478104	FLAT HD SCR 1/4-20 X 3/8
105	P0478105	SET SCREW 10-24 X 3/16
106	P0478106	FLAT HD SCR 10-24 X 3/4
107	P0478107	SET SCREW 5/16-18 X 5/8
109	P0478109	CAP SCREW 5/16-18 X 1
110	P0478110	HEX BOLT 7/16-14 X 1-1/4
111	P0478111	LOCK WASHER 7/16
113	P0478113	DADO INSERT
114	P0478114	ARBOR WRENCH 12 X 23
115	P0478115	BLADE GUARD LABEL
116	P0478116	ELECTRICITY LABEL
117	P0478117	RESPIRATOR LABEL
118	P0478118	UNPLUG TABLE SAW LABEL
119	P0478119	MODEL NUMBER LABEL
120	P0478120	MACHINE ID LABEL
121	P0478121	READ MANUAL 2"W X 3 5/16"
122	P0478122	SAFETY GLASSES 2" X 3 5/16"

