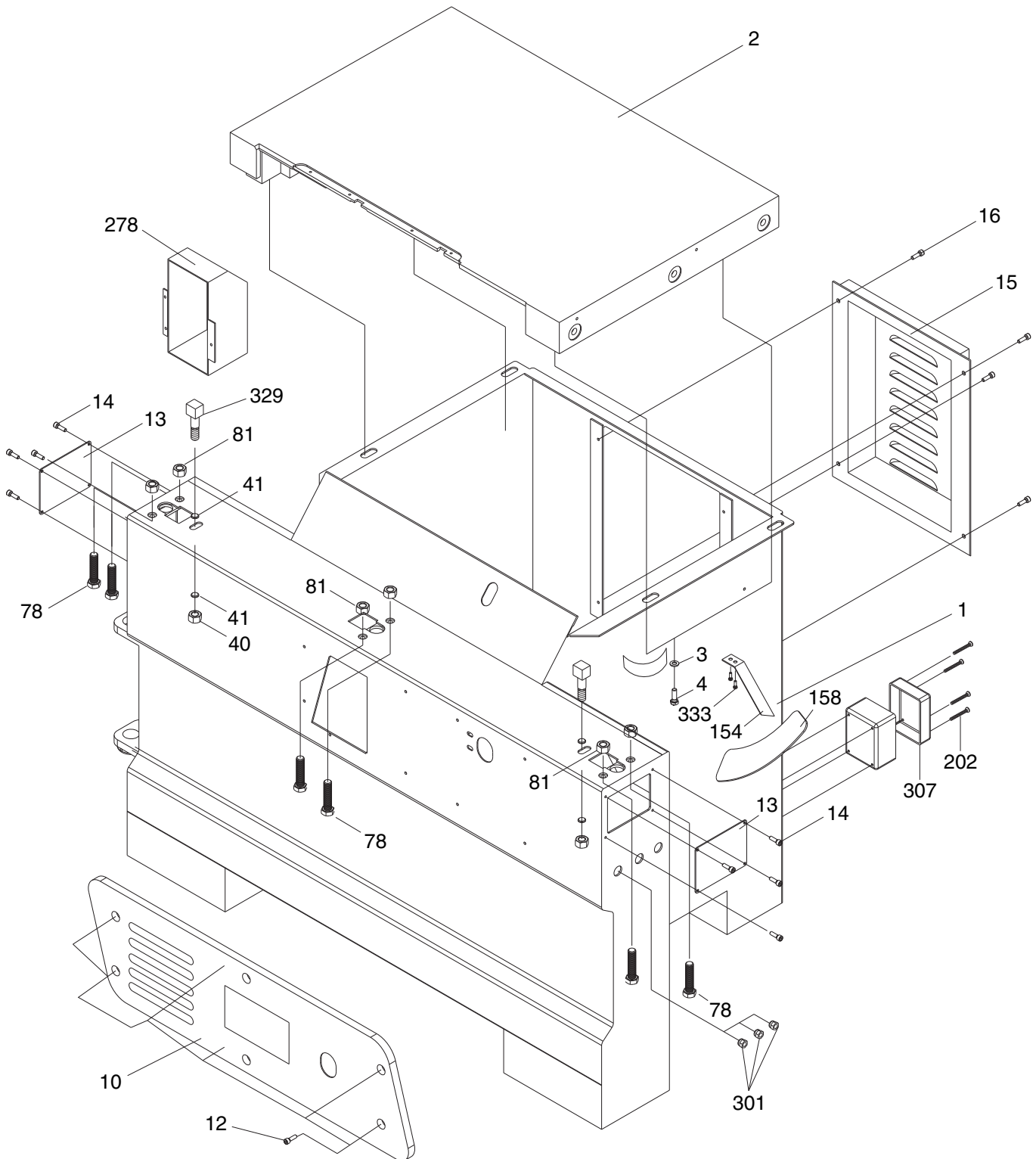


# SECTION 8: PARTS

## Main Body

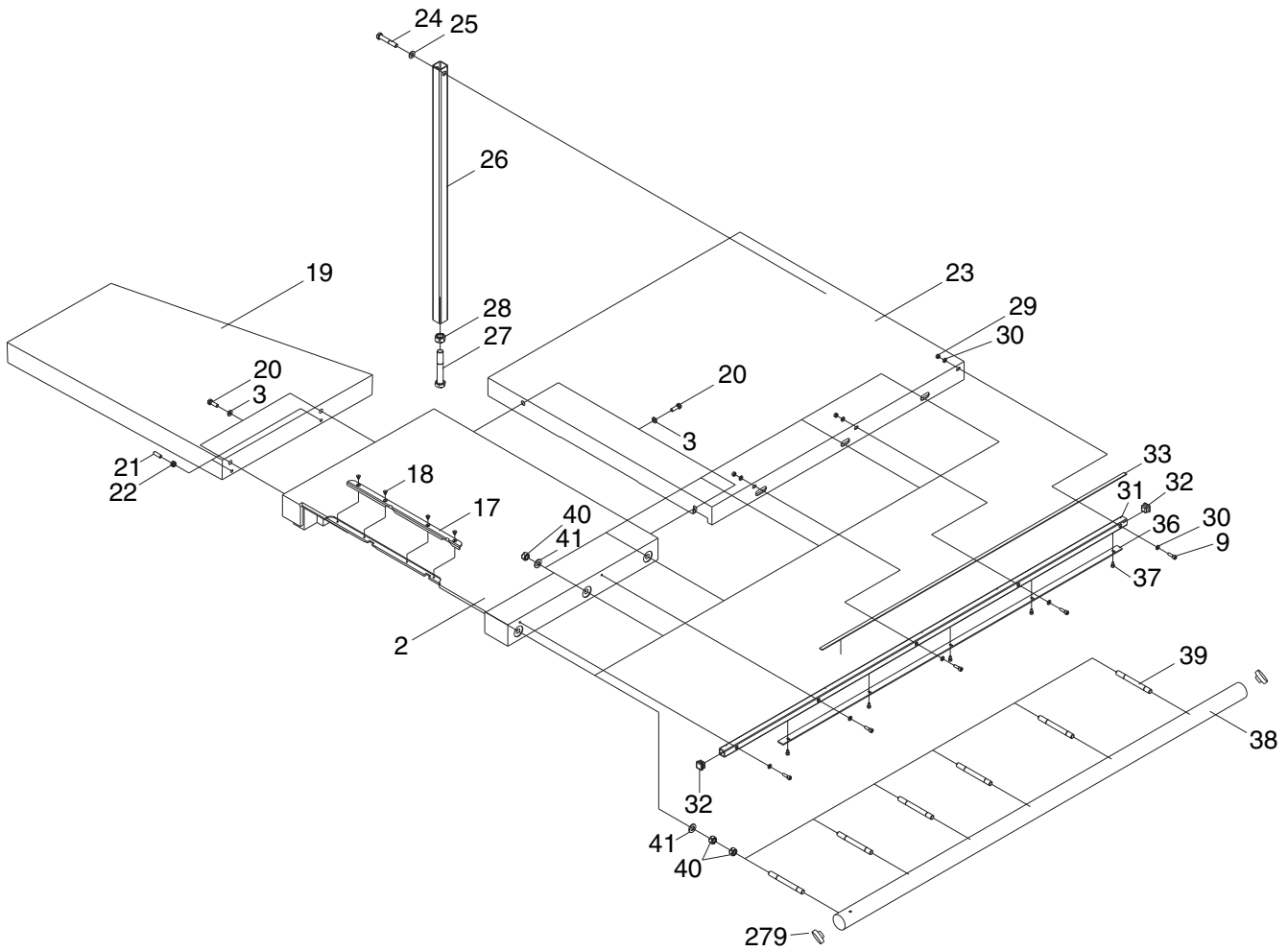


# Main Body Parts List

REF	PART #	DESCRIPTION
1	P0460001	BODY
2	P0588002	TABLE
3	PW01M	FLAT WASHER 8MM
4	PSB13M	CAP SCREW M8-1.25 X 30
10	P0460010	COVER PLATE
12	PSB02M	CAP SCREW M6-1 X 20
13	P0588013	ADJUSTMENT BOLT COVER
14	PSB26M	CAP SCREW M6-1 X 12
15	P0588015	MOTOR COVER
16	PSB49M	CAP SCREW M6-1 X 60
40	PN09M	HEX NUT M12-1.75
41	PW06M	FLAT WASHER 12MM
78	PB137M	HEX BOLT M14-2 X 30
81	PN32M	HEX NUT M14-2
154	P0460154	POINTER
158	P0460158	SCALE
202	P0588202	JUNCTION BOX SCREW
278	P0588278	SCALE DUST COVER
301	P0460301	STRAIN RELIEF
307	P0588307	JUNCTION BOX
329	P0460329	POSITION SCREW
333	P0460333	PHLP HD SCR M5-.8 X 8



# Extension Tables

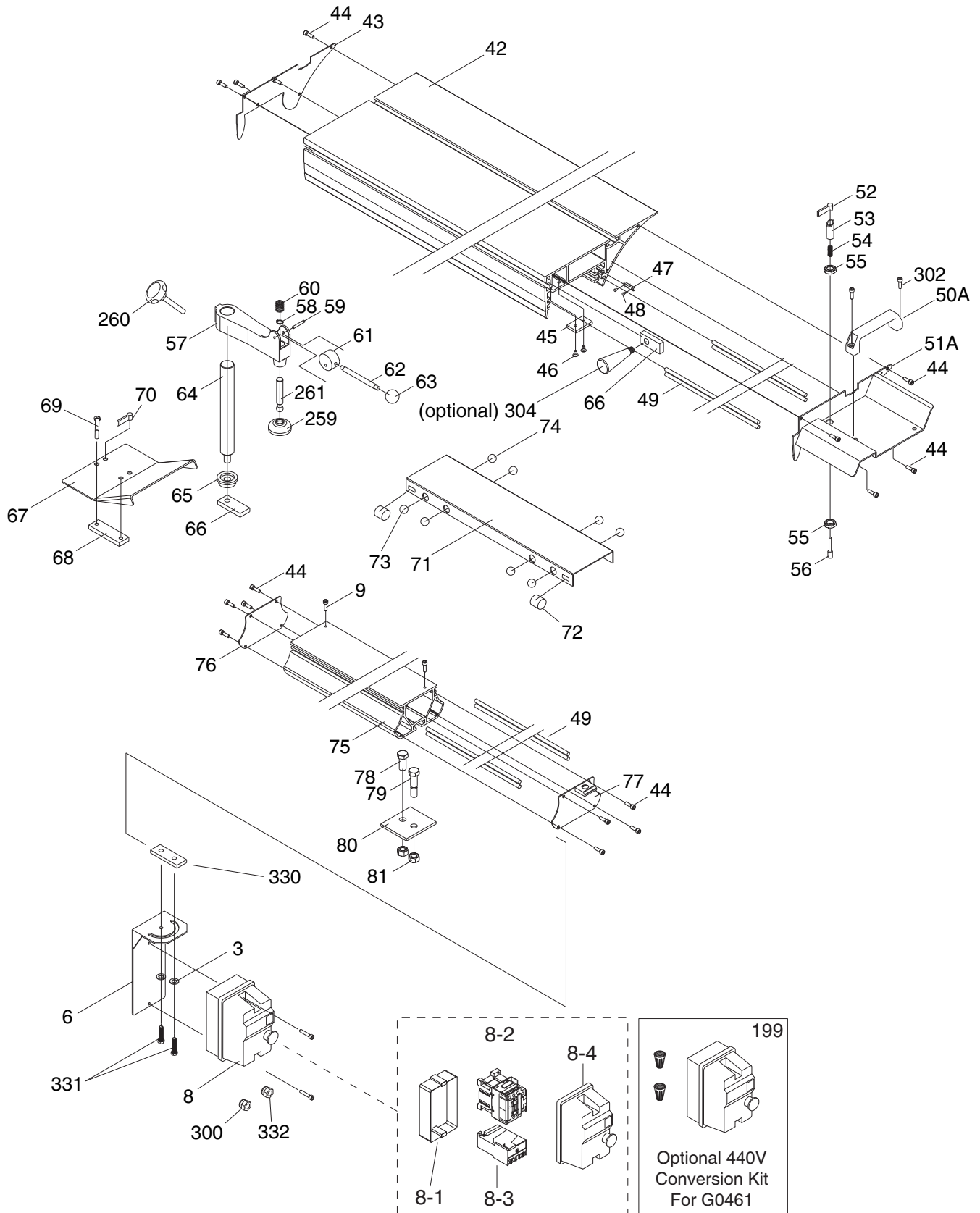


REF	PART #	DESCRIPTION
2	P0588002	TABLE
3	PW01M	FLAT WASHER 8MM
8	P0588008	MAG. SWITCH 220V-75HP (G0461)
17	P0588017	TABLE INSERT
18	PFH07M	FLAT HD SCR M5-.8 X 10
19	P0588019	EXTENSION WING (FRONT)
20	PSB13M	CAP SCREW M8-1.25 X 30
21	PSS16M	SET SCREW M8-1.25 X 10
22	PN03M	HEX NUT M8-1.25
23	P0588023	EXTENSION WING (RIGHT)
24	PB34M	HEX BOLT M10-1.5 X 60
25	PN02M	HEX NUT M10-1.5
26	P0588026	EXTENSION WING LEG
27	PB138M	HEX BOLT M16-2 X 100

REF	PART #	DESCRIPTION
28	PN13M	HEX NUT M16-2
29	PN01M	HEX NUT M6-1
30	PW03M	FLAT WASHER 6MM
31	P0588031	SCALE BAR
32	P0588032	SCALE BAR PLUG
33	P0588033	SCALE
36	P0588036	RACK
37	PSB03M	CAP SCREW M5-.8 X 8
38	P0588038	RAIL
39	P0588039	STUD M12-1.75 X 120
40	PN09M	HEX NUT M12-1.75
41	PW06M	FLAT WASHER 12MM
279	P0588279	FENCE RAIL PLUG 45 X 33



# Sliding Table



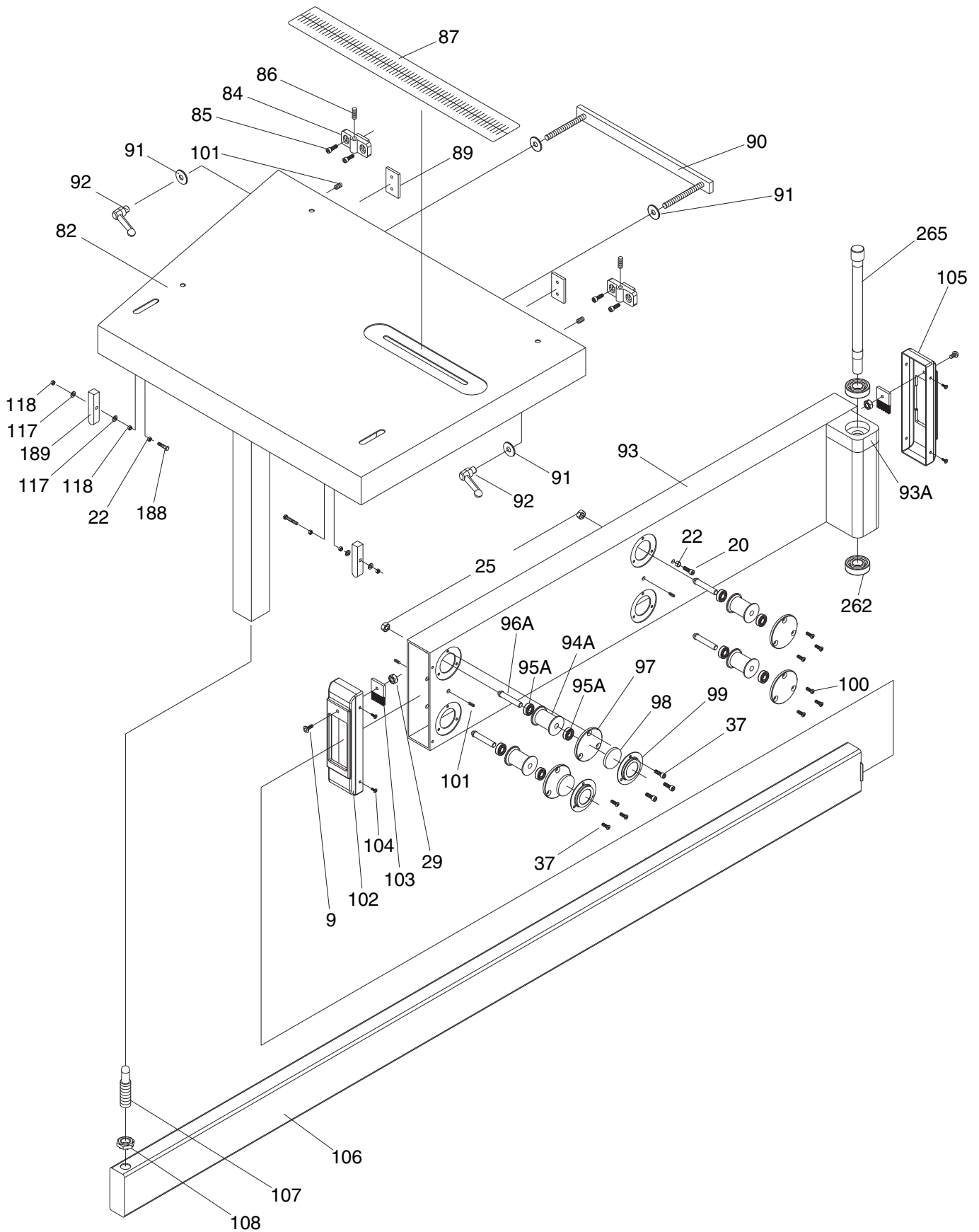
# Sliding Table Parts List

REF	PART #	DESCRIPTION
3	PW01M	FLAT WASHER 8MM
6	P0460006	SWITCH BASE
8	P0588008	MAG. SWITCH 220V-7.5HP 3Ø & 5HP 1Ø
8-1	P0588008-1	MAG. SWITCH REAR COVER
8-2	P0588008-2	CONTACTOR 220V
8-3	P0588008-3	OVERLOAD RELAY 21-25A
8-4	P0588008-4	MAG SWITCH FRONT COVER
9	PSB01M	CAP SCREW M6-1 X 16
42	P0460042	SLIDING TABLE
43	P0588043	SLIDING TABLE END COVER
44	PSB01M	CAP SCREW M6-1 X 16
45	P0588045	RUBBER PLATE
46	PFH23M	FLAT HD SCR M8-1.25 X 16
47	P0588047	GIB
48	PB83M	HEX BOLT M6-1 X 16
49	P0588049	STEEL RAILS
50A	P0588050	HANDLE
51A	P0588051	HANDLE COVER
52	P0588052	STOP LEVER
53	P0588053	SLEEVE
54	P0588054	EXTENSION SPRING
55	PN13M	HEX NUT M16-2
56	P0588056	STOP PIN
57	P0588057	HOLD DOWN BRACKET
58	PR02M	EXT. RETAINING RING 14MM
59	PRP45M	ROLL PIN 5 X 32
60	P0588060	COMPRESSION SPRING
61	P0588061	CAM
62	P0588062	HANDLE SHAFT

REF	PART #	DESCRIPTION
63	P0588063	BALL KNOB
64	P0588064	HOLD DOWN ARBOR
65	P0588065	PLASTIC HOLD DOWN WASHER
66	P0588066	T-NUT PLATE
67	P0588067	EDGE SHOE PLATE
68	P0588068	T-NUT PLATE
69	PB74M	HEX BOLT M10-1.5 X 20
70	P0588070	ADJUSTABLE HANDLE M10-1.5 X 16
71	P0460071	SLED
72	P0588072	SLED SPONGE
73	P0588073	STEEL BALL 18MM
74	P0588074	STEEL BALL 11/16MM
75	P0460075	SLIDING TABLE RAIL
76	P0588076	TABLE RAIL COVER (BACK)
77	P0588077	TABLE RAIL COVER (FRONT)
78	PB137M	HEX BOLT M14-2 X 30
79	PB153M	HEX BOLT M14-2 X 40
80	P0588080	ADJUSTMENT PLATE
81	PN32M	HEX NUT M14-2
199	P0588199	440V CONVERSION KIT (G0461)
259	P0588259	HOLD DOWN PLATE
260	P0588260	KNOB M8-1.25 X 20
261	P0588261	HOLD DOWN SHAFT
300	P0460300	STRAIN RELIEF PG1335
302	PSB14M	CAP SCREW M8-1.25 X 20
304	P0588304	PUSH HANDLE M14-2 X 16 (OPTIONAL)
330	P0460330	SWITCH BASE FIX PLATE
331	P0460331	HEX BOLT M8-1.25 X 20
332	P0460332	STRAIN RELIEF



# Crosscut Table

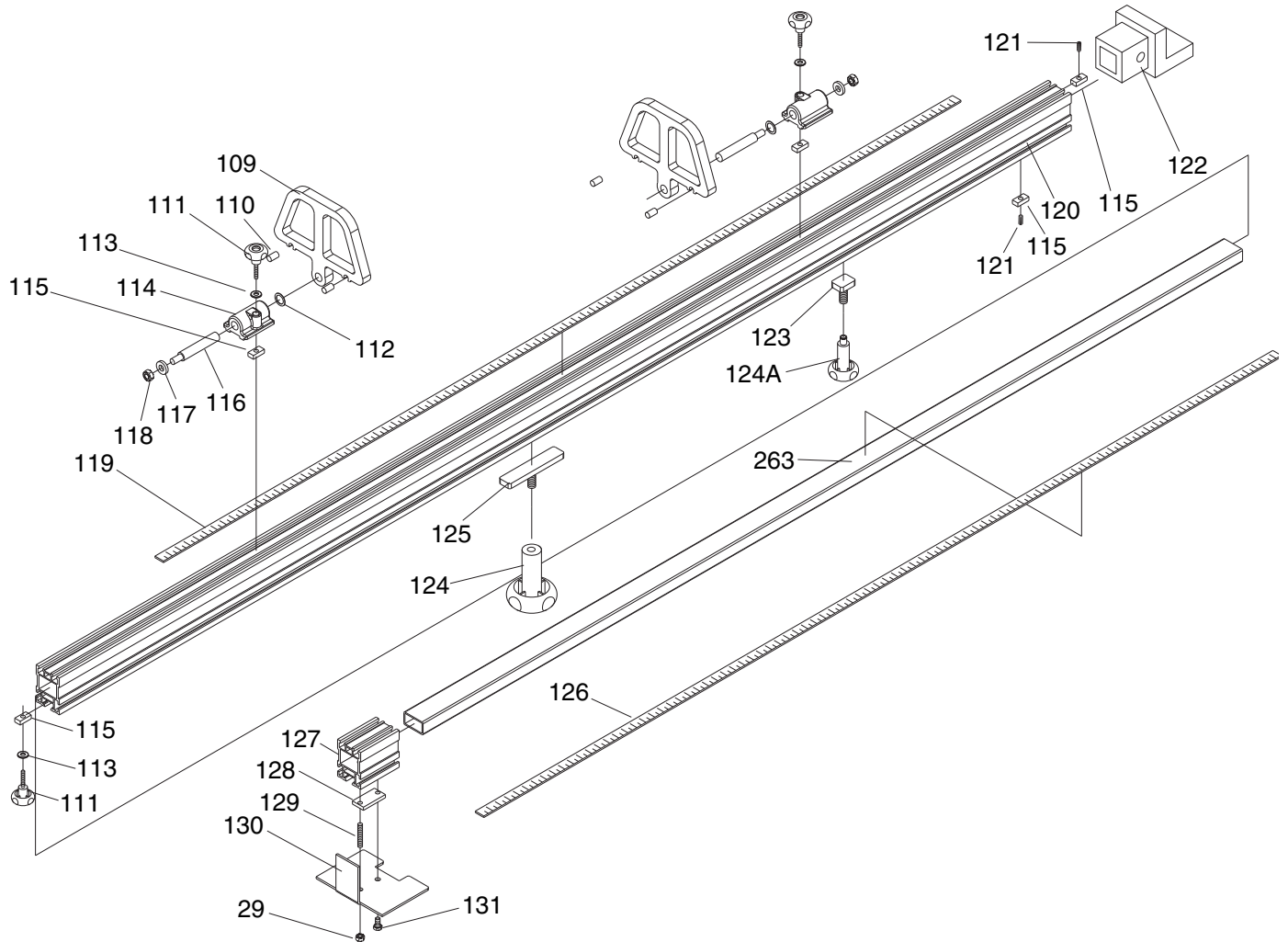


# Crosscut Table Parts List

REF	PART #	DESCRIPTION
9	PSB01M	CAP SCREW M6-1 X 16
20	PSB13M	CAP SCREW M8-1.25 X 30
22	PN03M	HEX NUT M8-1.25
25	PN02M	HEX NUT M10-1.5
29	PN01M	HEX NUT M6-1
37	PSB03M	CAP SCREW M5-.8 X 8
82	P0460082	CROSSCUT TABLE
84	P0588084	SUPPORT ADJUSTMENT BLOCK
85	PSB04M	CAP SCREW M6-1 X 10
86	PSS09M	SET SCREW M8-1.25 X 20
87	P0460087	SCALE LABEL (RIGHT)
89	P0588089	SLIDING SURFACE PLATE
90	P0588090	CROSSCUT TABLE LOCK PLATE
91	PW04M	FLAT WASHER 10MM
92	P0588092	ADJUST HANDLE M10-1.5
93	P0460093	SWING ARM
93A	P0460093A	SWING ARM ATTACHMENT
94A	P0588094A	ECCENTRIC ROLLER
95A	P6901	BALL BEARING 6901
96A	P0588096A	ECCENTRIC SHAFT
97	P0588097	ROTATE ARBOR SUPPORT
98	P0588098	MAGNET
99	P0588099	MAGNET BASE
100	PFH30M	FLAT HD SCR M5-.8 X 8
101	P0588101	NYLON SCREW M12-1.75 X 12
102	P0588102	SWING ARM END
103	P0588103	BRUSH
104	PSB117M	BUTTON HD CAP SCR M5-.8 X 8
105	P0588105	SWING ARM END
106	P0460106	EXTENSION SWING ARM
107	P0588107	SWING ARM ADJUST SCREW M20-2.5
108	PN28M	HEX NUT M20-2.5
117	PW01M	FLAT WASHER 8MM
118	PLN04M	LOCK NUT M8-1.25
188	P0460188	HEX BOLT M8-1.25 X 100
189	P0588189	STOP BLOCK
262	P6204	BALL BEARING 6204ZZ
265	P0588265	SWING ARM SHAFT



# Crosscut Fence

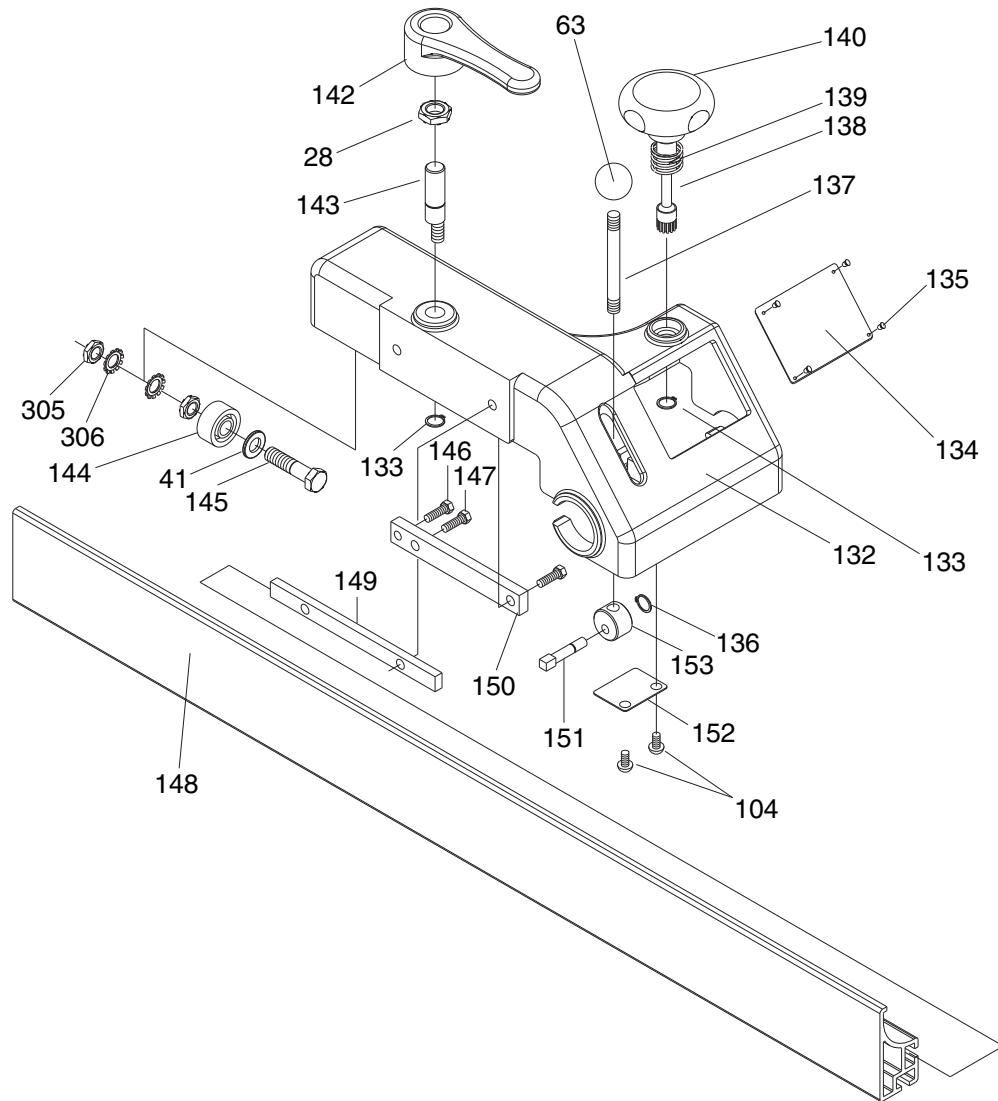


REF	PART #	DESCRIPTION
29	PN01M	HEX NUT M6-1
109	P0588109	STOP PLATE
110	P0588110	NYLON PAD
111	P0588111	KNOB M6-1 X 35
112	PW01M	FLAT WASHER 8MM
113	PW03M	FLAT WASHER 6MM
114	P0588114	CLAMPING BASE
115	P0588115	T-NUT M6-1
116	P0588116	CLAMPING ARBOR
117	PW01M	FLAT WASHER 8MM
118	PLN04M	LOCK NUT M8-1.25
119	P0460119	SCALE (LONG)
120	P0460120	CROSSCUT FENCE

REF	PART #	DESCRIPTION
121	PSS04M	SET SCREW M6-1 X 12
122	P0588122	PROTECTION BLOCK
123	P0588123	T-BOLT M10-1.5
124	P0588124	KNOB M10-1.5
124A	P0460124A	KNOB W/SHOULDER
125	P0588125	LOCK PLATE M10-1.5 X 25
126	P0460126	SCALE(SHORT)
127	P0588127	CROSS CUTTING FENCE-SHORT BASE
128	P0588128	LOCK PLATE
129	PSS29M	SET SCREW M6-1 X 35
130	P0588130	CROSS FENCE SUPPORT PLATE
131	PS31M	PHLP HD SCR M6-1 X 35
263	P0460263	SCALE TUBE



# Rip Fence

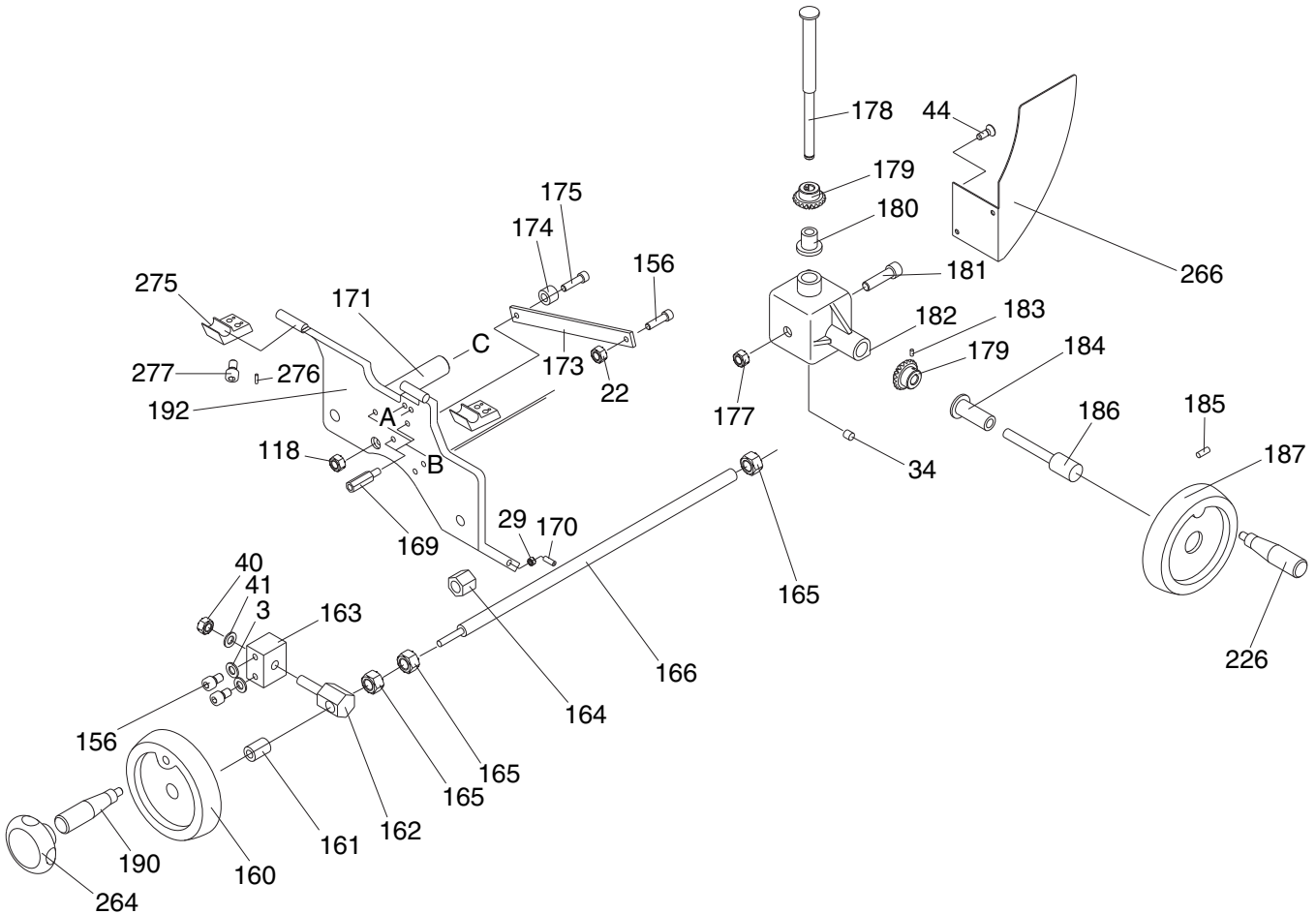


REF	PART #	DESCRIPTION
41	PW06M	FLAT WASHER 12MM
28	PN13M	HEX NUT M16-2
63	P0588063	BALL KNOB
104	PSB117M	BUTTON HD CAP SCR M5-.8 X 8
132	P0588132	RIP FENCE BASE
133	PR06M	EXT RETAINING RING 16MM
134	P0588134	WARNING LABEL PLATE
135	P0588135	RIVET
136	PR36M	EXT RETAINING RING 7MM
137	P0588137	KNOB SHAFT
138	P0460138	KNOB SHAFT W/GEAR
139	P0588139	COMPRESSION SPRING
140	P0588140	KNOB M14-1.75
142	P0588142	FENCE CLAMP HANDLE

REF	PART #	DESCRIPTION
143	P0588143	ECCENTRIC SHAFT
144	P0588144	ROLLER
145	PB33M	HEX BOLT M12-1.75 X 50
146	PSB14M	HEX BOLT M8-1.25 X 20
147	PB28M	HEX BOLT M8-1.25 X 60
148	P0588148	RIP FENCE PLATE
149	P0588149	LOCK BLOCK (LONG)
150	P0588150	LOCK BLOCK (SHORT)
151	P0588151	ECCENTRIC SHAFT
152	P0588152	HOLD PLATE
153	P0588153A	ECCENTRIC
305	PN09M	HEX NUT M12-1.75
306	PTLW12M	EXT TOOTH WASHER 12MM



# Tilt Assembly

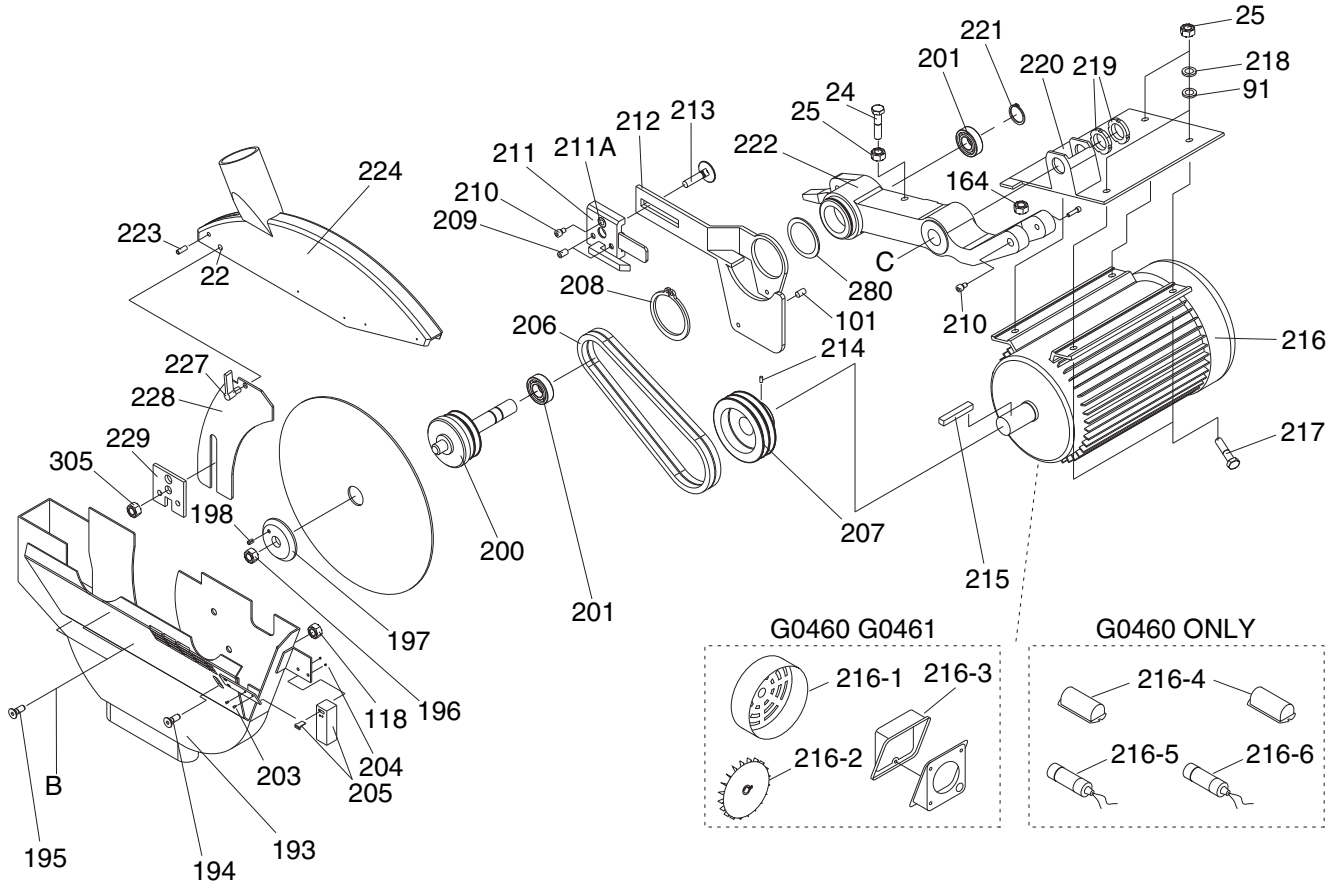


REF	PART #	DESCRIPTION
3	PW01M	FLAT WASHER 8MM
13	P0588013	ADJUSTMENT BOLT COVER
22	PN03M	HEX NUT M8-1.25
29	PN01M	HEX NUT M6-1
40	PN09M	HEX NUT M12-1.75
41	PW06M	FLAT WASHER 12MM
44	PSB01M	CAP SCREW M6-1 X 16
118	PLN04M	LOCK NUT M8-1.25
156	PSB40M	CAP SCREW M8-1.25 X 35
160	P0588160	HAND WHEEL
161	P0588161	HAND WHEEL COLLAR
162	P0588162	SHAFT NUT
163	P0588163	SHAFT NUT BASE
164	P0588164	TW-NUT
165	P0588165	LEAD SCREW NUT
166	P0588166	LEAD SCREW TW-16 8 TEETH/ INCH
169	P0588169	COVER SUPPORT M6-1 X 25
170	P0588170	SET SHAFT
171	P0588171	BODY ARBOR
173	P0588173	CRANK ARM
174	P0588174	PULLEY COLLAR

REF	PART #	DESCRIPTION
175	PSB40M	CAP SCREW M8-1.25 X 35
177	PLN07M	LOCK NUT 16-2
178	P0588178	WORM
179	P0588179	WORM GEAR
180	P0588180	COPPER SLEEVE
181	PSB54M	CAP SCREW M16-2 X 40
182	P0588182	GEAR BOX
183	PSS11	SET SCREW 1/4-20 X 1/4
184	P0588184	COPPER SLEEVE
185	PSS59M	SET SCREW M8-1.25 X 14
186	P0588186	HAND WHEEL SHAFT
187	P0588187	HAND WHEEL
190	P0588190	FOLDABLE HANDLE HL-80
192	P0588192	ARBOR PLATE
226	P0460226	HANDWHEEL HANDLE
264	P0588264	KNOB M10-1.5
266	P0588266	COVER (UPPER)
275	P0588275	ROTATE PART LOCK
276	PRP42M	ROLL PIN 3 X 20
277	PSB14M	CAP SCREW M8-1.25 X 20



# Motor Assembly

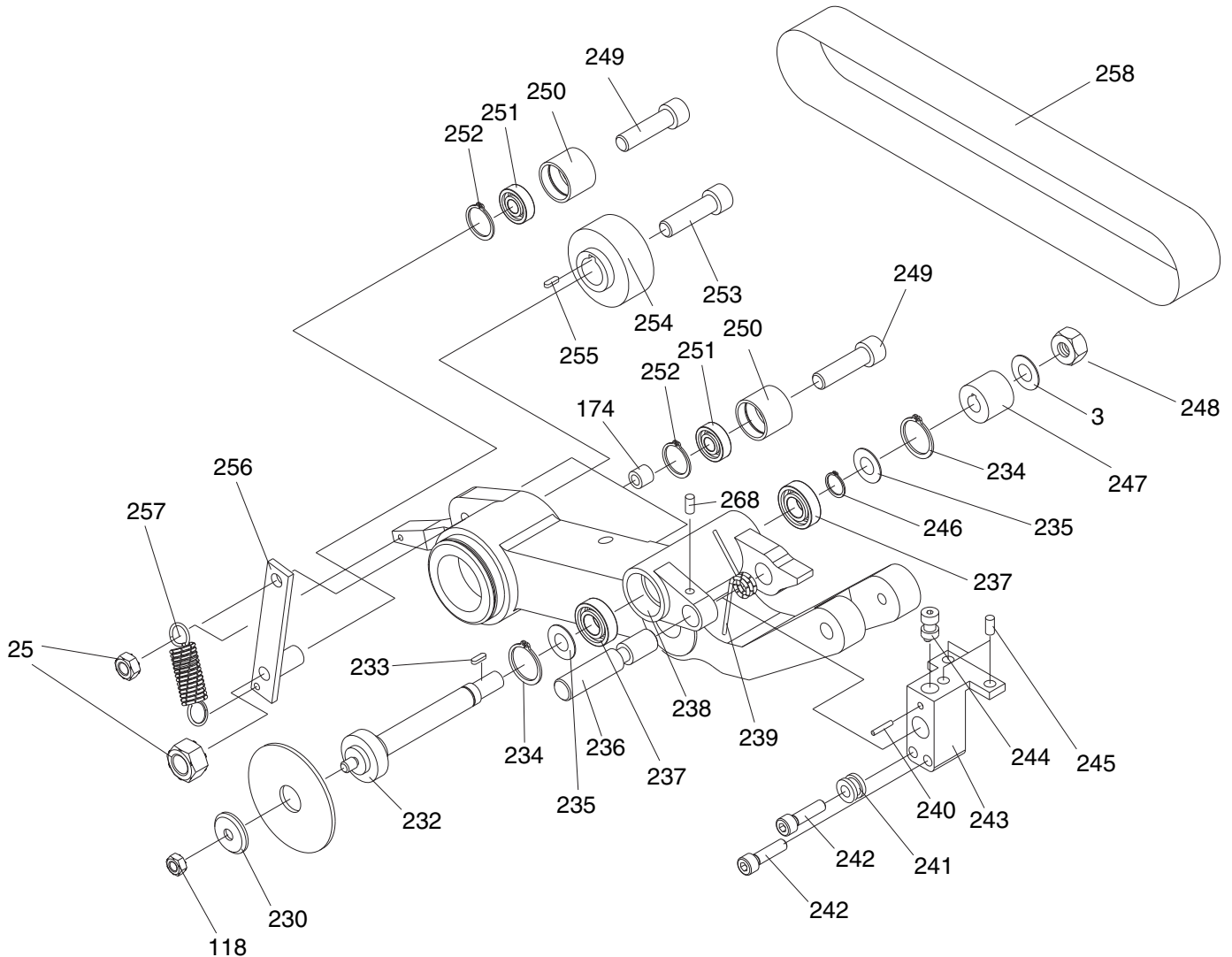


REF	PART #	DESCRIPTION
24	PB34M	HEX BOLT M10-1.5 X 60
25	PN02M	HEX NUT M10-1.5
91	PW04M	FLAT WASHER 10MM
101	P0588101	NYLON SCREW M12-1.75 X 12
118	PLN04M	LOCK NUT M8-1.25
164	P0588164	TW-NUT
193	P0588193	DUST COVER
194	PFH23M	FLAT HD SCR M8-1.25 X 16
195	PFH11M	FLAT HD SCR M8-1.25 X 15
196	P0588196	HEX NUT M16-2 (LH)
197	P0588197	ARBOR FLANGE
198	PRP74M	ROLL PIN 4 X 8
200	P0588200	BLADE ARBOR
201	P6004	BALL BEARING 6004ZZ
203	PSB46M	CAP SCREW M4-.7 X 40
204	PN04M	HEX NUT M4-.7
205	P0588205	LIMIT SWITCH
206	P0588206	COGGED V-BELT MX-26.5
207	P0588207	MOTOR PULLEY
208	PR71M	EXT RETAINING RING 60MM
209	PSS16M	SET SCREW M8-1.25 X 10
210	PSB11M	CAP SCREW M8-1.25 X 16
211	P0588211	RIVING KNIFE HOLDER
211A	P0460211A	MAGNET
212	P0588212	RIVING BRACKET
213	PCB25M	CARRIAGE BOLT M12-1.75 X 35

REF	PART #	DESCRIPTION
214	PSS01M	SET SCREW M6-1 X 10
215	PK42M	KEY 6 X 6 X 30
216	P0591216	MOTOR 5HP-1PH (G0460)
216	P0588216	MOTOR 7.5HP-3PH (G0461)
216-1	P0588216-2	MOTOR FAN COVER (G0460)
216-1	P0591216-2	MOTOR FAN COVER (G0461)
216-2	P0588216-1	MOTOR FAN (G0460)
216-2	P0591216-1	MOTOR FAN (G0461)
216-3	P0588216-7	WIRING CONNECT BOX (G0460)
216-3	P0591216-7	WIRING CONNECT BOX (G0461)
216-4	P0460216-4	CAPACITOR COVER (G0460)
216-5	PC600	S CAPACITOR 600M 125V (G0460)
216-6	PC045A	R CAPACITOR 45M 250 V (G0460)
217	PB74M	HEX BOLT M10-1.5 X 20
218	PLW06M	LOCK WASHER 10MM
219	P0588219	SPANNER NUT M25-1.5
220	P0588220	MOTOR PLATE
221	PR09M	EXT RETAINING RING 20MM
222	P0588222	ROTATE HOUSING
223	PRP08M	ROLL PIN 6 X 30
224	P0588224	BLADE GUARD
227	P0588227	ADJUST HANDLE M8-1.25 X 30
228	P0588228	RIVING KNIFE
229	P0588229	COVER LOCK BLOCK
280	P0588280	WAVE WASHER 60MM
305	PN09M	HEX NUT M12-1.75



# Arbor Assembly



REF	PART #	DESCRIPTION
3	PW01M	FLAT WASHER 8MM
25	PN02M	HEX NUT M10-1.5
118	PLN04M	LOCK NUT M8-1.25
174	P0588174	PULLEY COLLAR
230	P0588230	SCORING BLADE WASHER
232	P0588232	SCORING ARBOR
233	PK47M	KEY 4 X 4 X 15
234	PR29M	INT RETAINING RING 32MM
235	P0588235	WAVE WASHER 15MM
236	P0588236	BLADE LINK SHAFT
237	P6002	BALL BEARING 6002ZZ
238	P0588238	BLADE LINK SHAFT
239	P0588239	TORSION SPRING
240	PSS02M	SET SCREW M6-1 X 6
241	P0588241	SLEEVE
242	PSB12M	CAP SCREW M8-1.25 X 40
243	P0588243	LINK SHAFT BASE

REF	PART #	DESCRIPTION
244	P0588244	ECCENTRIC SHAFT
245	P0460245	SET SCREW
246	PR05M	EXT RETAINING RING 15MM
247	P0588247	SCORING PULLEY
248	P0588248	HEX NUT M8-1.25 (LH)
249	PSB72M	CAP SCREW M10-1.5 X 30
250	P0588250	IDLE WHEEL
251	P6000	BALL BEARING 6000ZZ
252	PR40M	INT RETAINING RING 26MM
253	PSB130M	CAP SCREW M10-1.5 X 16
254	P0588254	FLAT BELT PULLEY
255	PK99M	KEY 6 X 6 X 15
256	P0588256	PULLEY SUPPORT
257	P0588257	EXTENSION SPRING
258	P0588258	FLAT BELT 17 X 930 X 1
268	PSS05M	SET SCREW M5-.8 X 10

