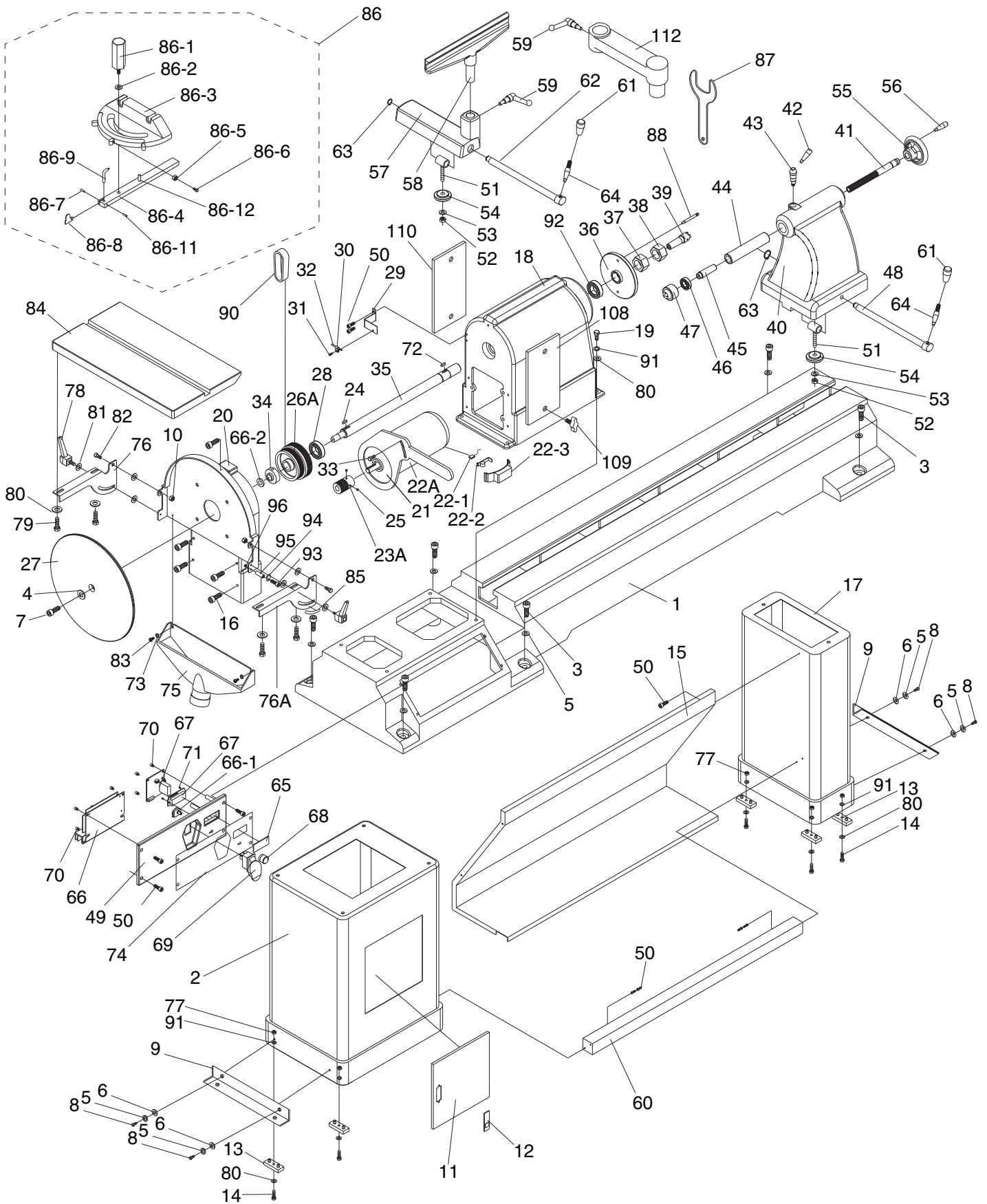


Parts Breakdown



Parts List

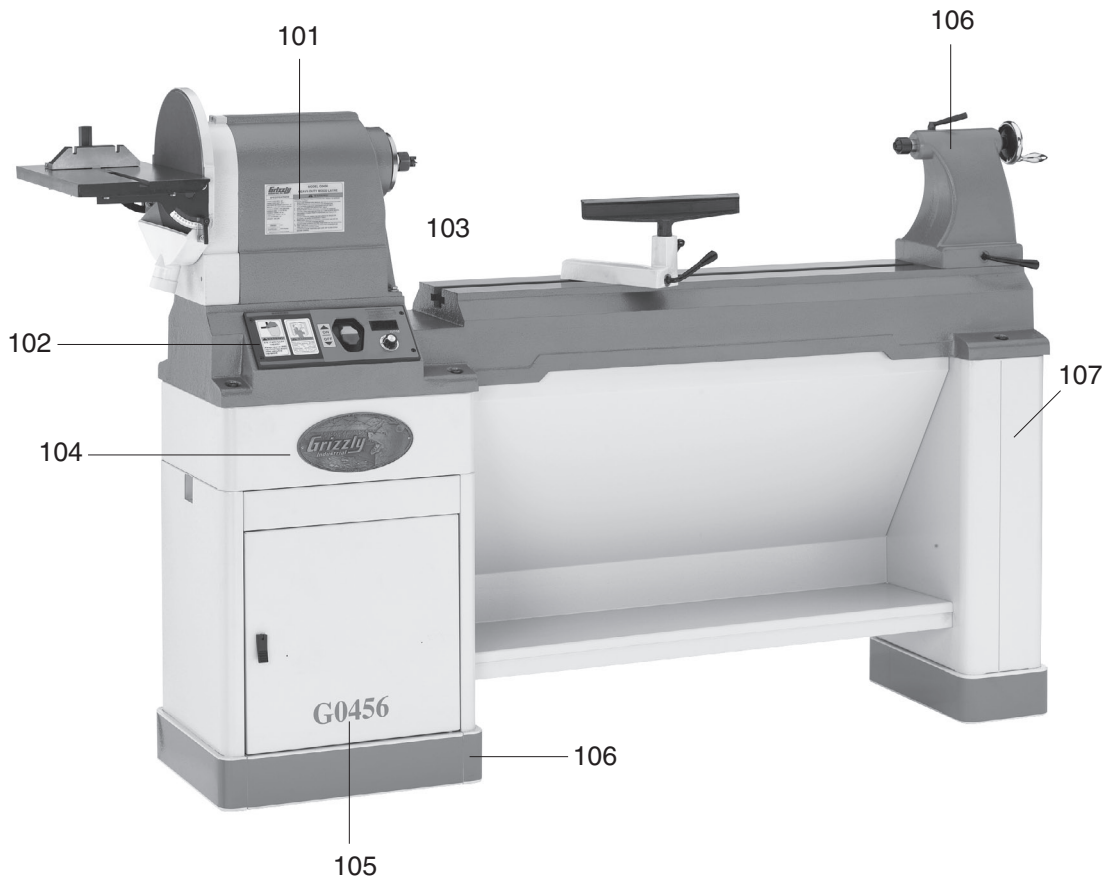
REF	PART #	DESCRIPTION
1	P0456001	BED
2	P0456002	CABINET STAND
3	PSB147M	CAP SCREW 7/16-14 X 1-1/2
4	PW06	FLAT WASHER 1/4
5	PLW05	LOCK WASHER 7/16
6	PW04	FLAT WASHER 7/16
7	PSB144M	CAP SCREW M6-1 X 25 LH
8	PB36	HEX BOLT 7/16-14 X 3/4
9	P0456009	L-BRACKET
10	PLN03	LOCK NUT 5/16-18
11	P0456011	DOOR
12	P0456012	STAND ACCESS HANDLE
13	P0456013	RUBBER FOOT
14	PS79	PHLP HD SCR 5/16-18 X 5/8
15	P0456015	PARTITION BOARD
16	PSB79M	CAP SCREW M5-.8 X 35
17	P0456017	RIGHT STAND
18	P0456018	HEAD STOCK
19	PB26M	HEX BOLT M8-1.25 X 30
20	P0456020	BELT WHEEL COVER
21	P0456021	MOTOR MOUNT PLATE
22-1	P0456022-1	BRUSH
22-2	P0456022-2	BRUSH RETAINER
22-3	P0456022-3	BRUSH COVER
22A	P0456022A	MOTOR W/HANDLE
23A	P0456023A	MOTOR STEP PULLEY
24	PK10M	KEY 5 X 5 X 12
25	PSS03	SET SCREW 1/4-20 X 3/8
26A	P0456026A	DRIVE STEP PULLEY
27	P0456027	SANDING DISC
28	P6005	BALL BEARING 6005
29	P0456029	SENSOR SUPPORTING FRAME
30	P0456030	CORD FIXER UC-0*3.2
31	PS06M	PHLP HD SCR M5-.8 X 20
32	P0456032	SENSOR CORD
33	PB87M	HEX BOLT M8-1.25 X 15
34	P0456034	MAGNETIC FIXER
35	P0456035	SPINDLE
36	P0456036	BACKING PLATE
37	P0456037	HEX NUT 1-1/2"- 8
38	P0456038	SPUR REMOVAL NUT 1-1/2"- 8
39	P0456039	SPUR CENTER
40	P0456040	TAILSTOCK BASE
41	P0456041	TAILSTOCK SPINDLE
42	P0456042	SHORT HANDLE
43	P0456043	CAM SPINDLE
44	P0456044	QUILL
45	P0456045	LIVE CENTER SHAFT
46	P6002	BALL BEARING 6002
47	P0456047	LIVE CENTER HEAD
48	P0456048	TAILSTOCK LOCK SHAFT
49	P0456049	FACEPLATE
50	PSB50M	CAP SCREW M5-.8 X 10
51	P0456051	LOCKING RING SHAFT
52	PLN03	LOCK NUT 5/16-18
53	PW07	FLAT WASHER 5/16
54	P0456054	SLIDING BLOCK
55	P0456055	HANDWHEEL

REF	PART #	DESCRIPTION
56	P0456056	HANDWHEEL HANDLE
57	P0456057	TOOL REST BASE
58	P0456058	TOOL REST
59	P0456059	LOCK HANDLE M8-1.25 X 15
60	P0456060	STEEL TUBE
61	P0456061	KNOB 3/8"
62	P0456062	TOOL REST LOCK SHAFT
63	PR47M	EXT RETAINING RING 13MM
64	P0456064	HANDLE SHAFT
65	P0456065	WINDOW PLATE 55.8 X 24.4 X 2
66	P0456066	CIRCUIT BOARD MAG SYSTEM
66-1	P0456066-1	SPEED POTENTIOMETER
66-2	P0456066-2	MAGNETIC RING
67	P0456067	TRANSFORMER/INDICATOR SYS
68	P0456068	SPEED DIAL
69	P0456069	PADDLE SWITCH W/KEY
70	PHTEK18	TAP SCREW #10 X 5/8
71	PHTEK30M	TAP SCREW M3 X 6
72	P0456072	KEY 5 X 5 X 12
73	PLW03	LOCK WASHER #10
74	P0456074	PLATE STICKER
75	P0456075	DUST PORT
76	P0456076	LEFT SCALE
76A	P0456076A	RIGHT SCALE
77	PN02	HEX NUT 5/16"-18
78	P0456078	LOCK HANDLE M6-1 X 12
79	PB09	HEX BOLT 5/16-18 X 1/2
80	PW07	FLAT WASHER 5/16
81	PW03M	FLAT WASHER 6MM
82	P0456082	SPECIAL SCREW 5/16-18 X 5/8
83	PS01	PHLP HD SCR 10-24 X 1/2
84	P0456084	TABLE
85	P0456085	DISC SCALE
86	P0456086	COMPLETE MITER GAUGE
86-1	P0456086-1	HANDLE 1/4-20 X 7/8
86-11	P0456086-11	ROLL PIN 3 X 5MM
86-12	P0456086-12	SOLID PIN 8 X 20MM
86-2	P0456086-2	WASHER 1/4
86-3	P0456086-3	MITER GAUGE BODY
86-4	P0456086-4	MITER BAR
86-5	P0456086-5	HEX NUT 8-32
86-6	P0456086-6	PHLP HD SCREW 8-32 X 3/4
86-7	P0456086-7	SET SCREW 1/4-20 X 1/4
86-8	P0456086-8	STOP
86-9	P0456086-9	POINTER
87	P0456087	FLAT WRENCH 1-13/16"
88	P0456088	SPINDLE LOCK PIN
90	P0456090	BELT 200J
91	PLW01	LOCK WASHER 5/16
92	P6006	BEARING 6006
93	PB94M	HEX BOLT M5-.8 X 25
94	P0456094	POINTER
95	P0456095	UPPER SPACER
96	PN06M	HEX NUT M5-.8
108	P0456108	FRONT COVER
109	P0456109	KNOB
110	P0456110	REAR COVER
112	P0456112	TOOL REST EXTENSION



⚠ WARNING

Safety labels warn about machine hazards and ways to prevent injury. The owner of this machine **MUST** maintain the original location and readability of the labels on the machine. If any label is removed or becomes unreadable, **REPLACE** that label before using the machine again. Contact Grizzly at (800) 523-4777 or www.grizzly.com to order new labels.



REF	PART #	DESCRIPTION
101	P0456101	MACHINE ID LABEL
102A	P0456102A	FACE SHIELD LABEL
103	PLABEL-12	READ MANUAL LABEL
104	G8588	GRIZZLY NAMEPLATE—SMALL
105	P0456105	G0456 MODEL # LABEL
106	P0456106	PAINT "HAMMERTONE GREEN"
107	P0456107	PAINT "PUTTY"

