

READ THIS FIRST



For questions or help with this product contact Tech Support at (570) 546-9663 or techsupport@grizzly.com

Models G0453, G0453Z,
G0454, G0454Z

*****IMPORTANT UPDATE*****

For Machines Mfd. Since 09/17
and Owner's Manuals Revised 11/12

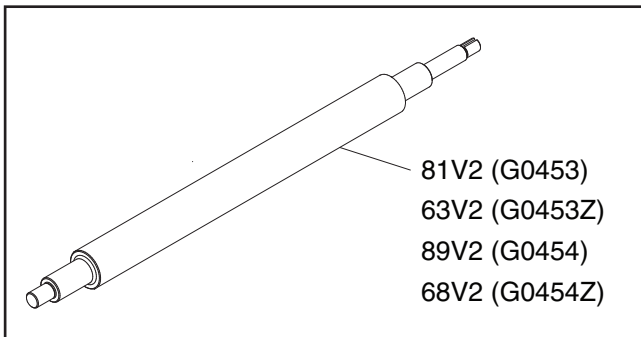
The following change was recently made to these machines since the owner's manuals were printed:

- Outfeed roller changed from serrated steel to rubber.

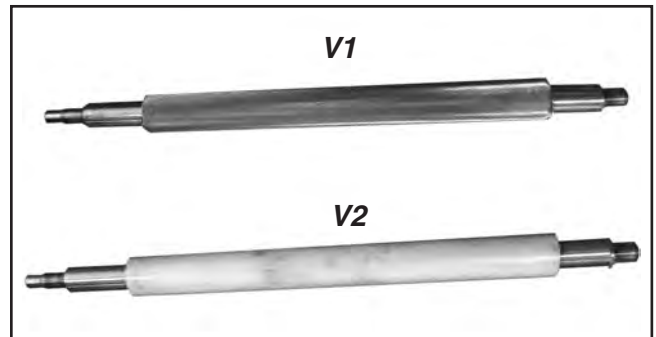
Aside from this information, all other content in the owner's manual applies and **MUST** be read and understood for your own safety. **IMPORTANT: Keep this update with the owner's manual for future reference.**

For questions or help, contact our Tech Support at (570) 546-9663 or techsupport@grizzly.com.

V2 Outfeed Roller



V1 & V2 Outfeed Roller Photos



REF	PART #	DESCRIPTION
81V2	P0453081V2	OUTFEED ROLLER (RUBBER) V2.09.17 (G0453)
63V2	P0453Z063V2	OUTFEED ROLLER (RUBBER) V2.09.17 (G0453Z)
89V2	P0454089V2	OUTFEED ROLLER (RUBBER) V2.09.17 (G0454)
68V2	P0454Z068V2	OUTFEED ROLLER (RUBBER) V2.09.17 (G0454Z)

READ THIS FIRST



Model G0453Z & G0454Z ***IMPORTANT UPDATE***

For Machines Mfd. Since 04/15
and Owner's Manual Printed 11/12

For questions or help with this product contact Tech Support at (570) 546-9663 or techsupport@grizzly.com

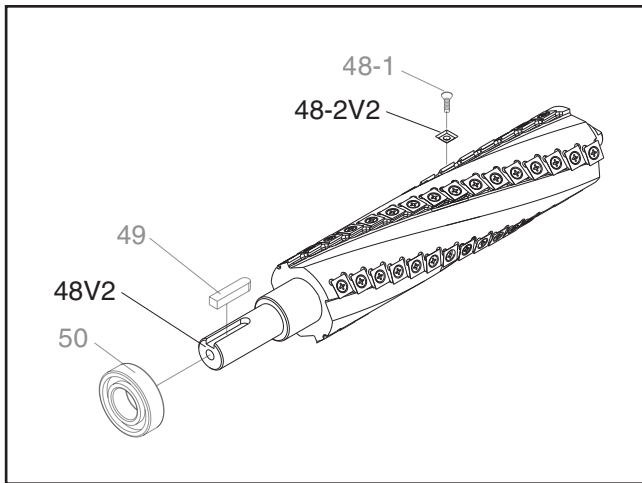
The following changes were recently made to this machine since the owner's manual was printed:

- Changed spiral cutterhead and indexable inserts.

Aside from this information, all other content in the owner's manual applies and **MUST** be read and understood for your own safety. **IMPORTANT: Keep this update with the owner's manual for future reference.**

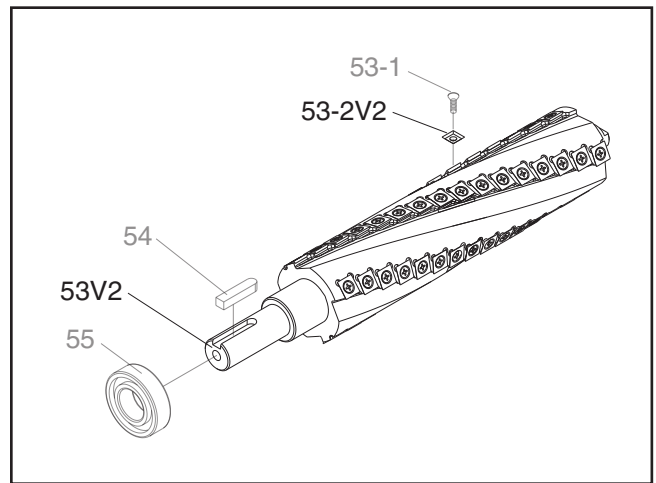
For questions or help, contact our Tech Support at (570) 546-9663 or techsupport@grizzly.com.

G0453Z Revised Parts



REF	PART #	DESCRIPTION
48V2	P0453Z048V2	SPIRAL CUTTERHEAD 15" V2.04.15
48-2V2	P0453Z048-2V2	INDEXABLE CARBIDE INSERT 14 X 14 X 2MM V2.04.15

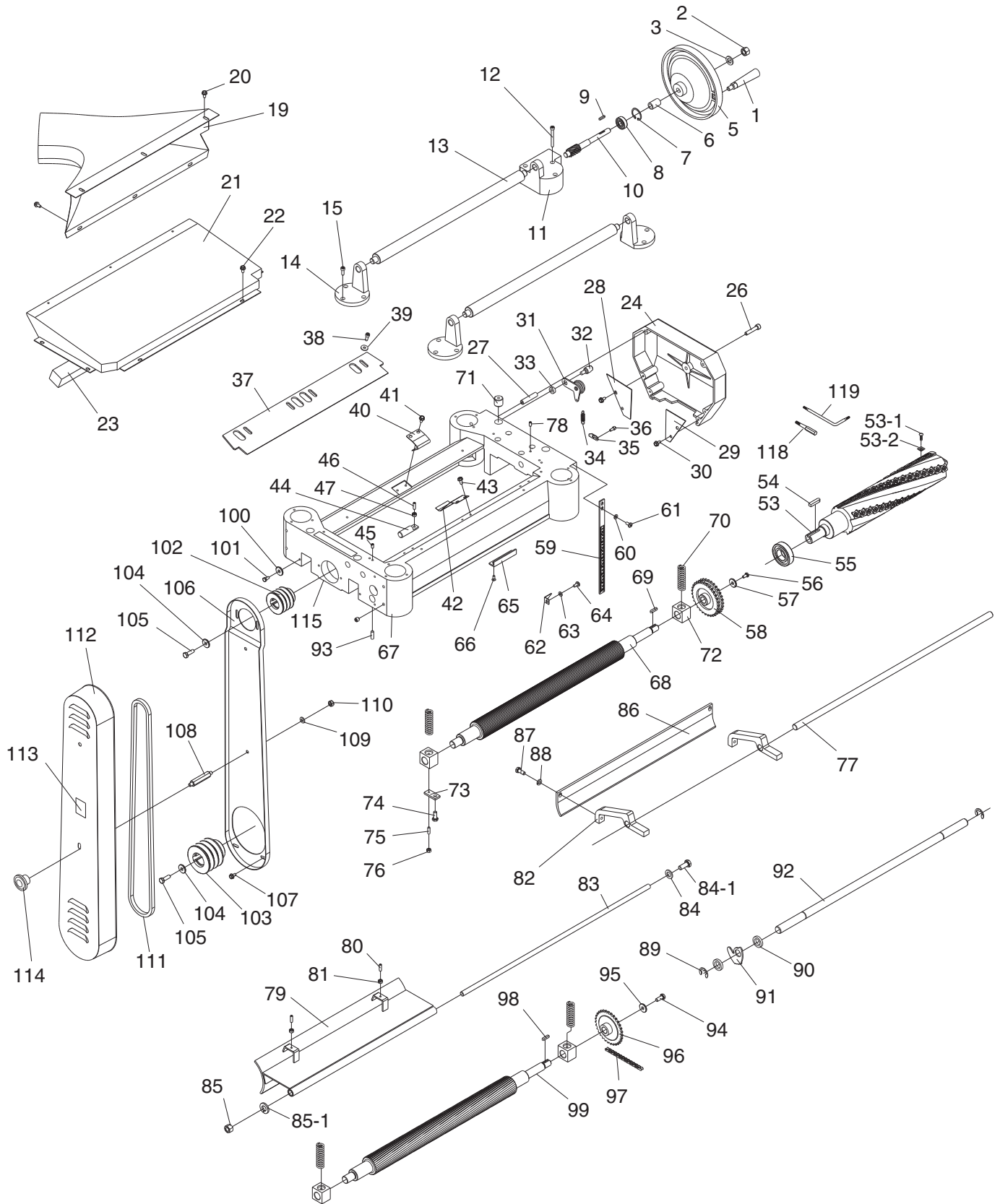
G0454Z Revised Parts



REF	PART #	DESCRIPTION
53V2	P0454Z053V2	SPIRAL CUTTERHEAD ASSY V2.04.15
53-2V2	P0454Z053-2V2	INDEXABLE CARBIDE INSERT 14 X 14 X 2MM V2.04.15

COPYRIGHT © SEPTEMBER, 2015 BY GRIZZLY INDUSTRIAL, INC.
**WARNING: NO PORTION OF THIS MANUAL MAY BE REPRODUCED IN ANY SHAPE
OR FORM WITHOUT THE WRITTEN APPROVAL OF GRIZZLY INDUSTRIAL, INC.**
#MN17653 PRINTED IN CHINA

G0454Z Headstock Breakdown



G0454Z Headstock Parts List

REF	PART #	DESCRIPTION
1	P0454Z001	HANDWHEEL HANDLE
2	P0454Z002	HEX NUT M12-1.75
3	P0454Z003	FLAT WASHER 12MM
5	P0454Z005	HANDWHEEL
6	P0454Z006	HANDWHEEL COLLAR
7	P0454Z007	INT RETAINING RING 32MM
8	P0454Z008	BALL BEARING 6201ZZ
9	P0454Z009	KEY 4 X 4 X 20
10	P0454Z010	WORM GEAR
11	P0454Z011	WORM HOUSING
12	P0454Z012	CAP SCREW M6-1 X 60
13	P0454Z013	RETURN ROLLER
14	P0454Z014	ROLLER STAND
15	P0454Z015	CAP SCREW M6-1 X 16
19	P0454Z019	DUST HOOD
20	P0454Z020	FLANGE BOLT M6-1 X 12
21	P0454Z021	UPPER COVER
22	P0454Z022	FLANGE BOLT M6-1 X 12
23	P0454Z023	TOP COVER GASKET
24	P0454Z024	CHAIN DRIVE COVER
26	P0454Z026	CAP SCREW M8-1.25 X 40
27	P0454Z027	ROLL PIN 6 X 20
28	P0454Z028	REAR SAFETY HATCH
29	P0454Z029	FRONT SAFETY HATCH
30	P0454Z030	FLANGE BOLT M6-1 X 10
31	P0454Z031	IDLER PULLEY/BRACKET ASSY
32	P0454Z032	IDLER MOUNTING SHAFT
33	P0454Z033	IDLER BRACKET COLLAR
34	P0454Z034	EXTENSION SPRING
35	P0454Z035	HANGER
36	P0454Z036	CAP SCREW M6-1 X 10
37	P0454Z037	CHIP DEFLECTOR PLATE
38	P0454Z038	FLANGE BOLT M6-1 X 15
39	P0454Z039	FLAT WASHER 6MM
40	P0454Z040	HOLD DOWN PLATE
41	P0454Z041	FLANGE BOLT M6-1 X 12
42	P0454Z042	PLATE SPRING
43	P0454Z043	FLANGE BOLT M6-1 X 12
44	P0454Z044	ADJUSTING SHAFT
45	P0454Z045	SET SCREW M6-1 X 12
46	P0454Z046	SET SCREW M6-1 X 20
47	P0454Z047	HEX NUT M6-1
53	P0454Z053	SPIRAL CUTTERHEAD ASSY 20"
53-1	P0454Z053-1	FLAT HD TORX T20 M6-1 X 15
53-2V2	P0454Z053-2V2	INDEXABLE INSERT 14 X 14 X 2

REF	PART #	DESCRIPTION
54	P0454Z054	KEY 8 X 8 X 36
55	P0454Z055	BALL BEARING 6206ZZ
56	P0454Z056	HEX BOLT M6-1 X 16
57	P0454Z057	FLAT WASHER 6MM
58	P0454Z058	OUTFEED ROLLER SPROCKET
59	P0454Z059	HANDWHEEL SCALE
60	P0454Z060	FLAT WASHER 6MM
61	P0454Z061	PHLP HD SCR M6-1 X 12
62	P0454Z062	CUT LIMITER POINTER
63	P0454Z063	FLAT WASHER 6MM
64	P0454Z064	PHLP HD SCR M6-1 X 12
65	P0454Z065	CUT LIMIT PLATE
66	P0454Z066	HEX BOLT M5-.8 X 12
67	P0454Z067	HEAD CASTING
68	P0454Z068	OUTFEED ROLLER
69	P0454Z069	KEY 5 X 5 X 22
70	P0454Z070	COMPRESSION SPRING
71	P0454Z071	OILER SET SCREW
72	P0454Z072	FEED ROLLER BLOCK
73	P0454Z073	ADJUSTMENT PLATE
74	P0454Z074	HEX BOLT M8-1.25 X 20
75	P0454Z075	SET SCREW M6-1 X 20
76	P0454Z076	HEX NUT M6-1
77	P0454Z077	PRESSURE PLATE SHAFT
78	P0454Z078	SET SCREW M6-1 X 16
79	P0454Z079	CHIP BREAKER
80	P0454Z080	SET SCREW M6-1 X 20
81	P0454Z081	HEX NUT M6-1
82	P0454Z082	CHIP BREAKER BRACKET
83	P0454Z083	LOCK ROD
84	P0454Z084	FLAT WASHER 8MM
84-1	P0454Z084-1	HEX BOLT M8-1.25 X 12
85	P0454Z085	HEX NUT M12-1.75
85-1	P0454Z085-1	FLAT WASHER 8MM
86	P0454Z086	PRESSURE BAR
87	P0454Z087	HEX BOLT M8-1.25 X 20
88	P0454Z088	LOCK WASHER 8MM
89	P0454Z089	E-CLIP 15MM
90	P0454Z090	ANTI-KICKBACK SHAFT COLLAR
91	P0454Z091	ANTI-KICKBACK FINGER
92	P0454Z092	ANTI-KICKBACK FINGER SHAFT
93	P0454Z093	SET SCREW M8-1.25 X 12
94	P0454Z094	HEX BOLT M6-1 X 16
95	P0454Z095	FLAT WASHER 6MM
96	P0454Z096	INFEED ROLLER SPROCKET



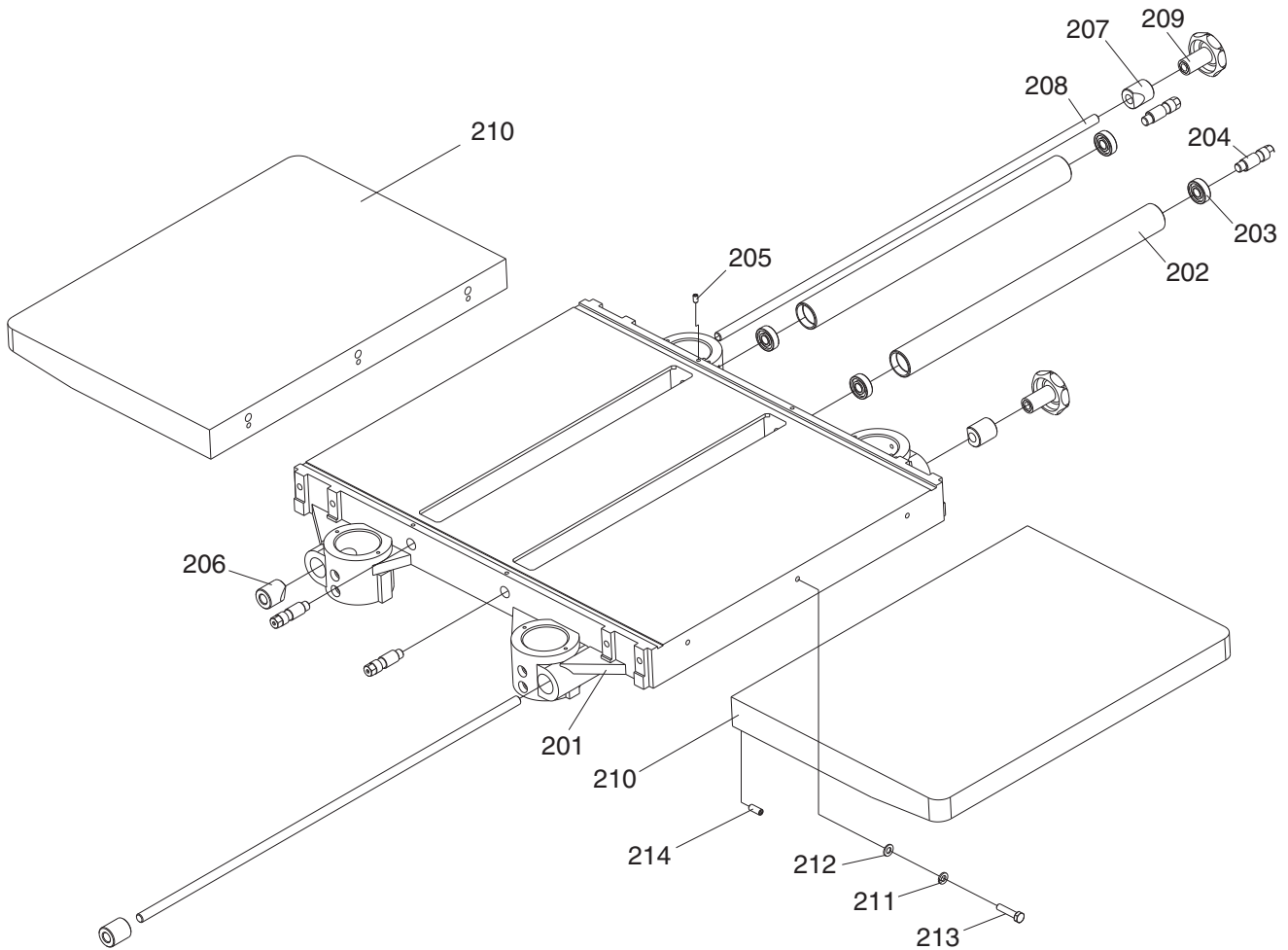
G0454Z Headstock Parts List

REF	PART #	DESCRIPTION
97	P0454Z097	CHAIN 06B-1 X 67
98	P0454Z098	KEY 5 X 5 X 22
99	P0454Z099	INFEED ROLLER
100	P0454Z100	FLAT WASHER 6MM
101	P0454Z101	HEX BOLT M6-1 X 12
102	P0454Z102	CUTTERHEAD PULLEY MX
103	P0454Z103	MOTOR PULLEY MX V2.09.07
104	P0454Z104	CUTTER PULLEY FLAT WASHER 8MM
105	P0454Z105	HEX BOLT M8-1.25 X 25
106	P0454Z106	BELT GUARD
107	P0454Z107	FLANGE BOLT M6-1 X 10

REF	PART #	DESCRIPTION
108	P0454Z108	HEX STANDOFF
109	P0454Z109	FLAT WASHER 8MM
110	P0454Z110	HEX NUT M8-1.25
111	P0454Z111	COGGED V-BELT MX-60
112	P0454Z112	BELT COVER
113	P0454Z113	DON'T REMOVE COVER LABEL
114	P0454Z114	STAR KNOB M8-1.25
115	P0454Z115	OIL LEVEL LABEL
118	P0454Z118	DRIVER BIT TORX T20
119	P0454Z119	L-WRENCH TORX T20



G0454Z Table

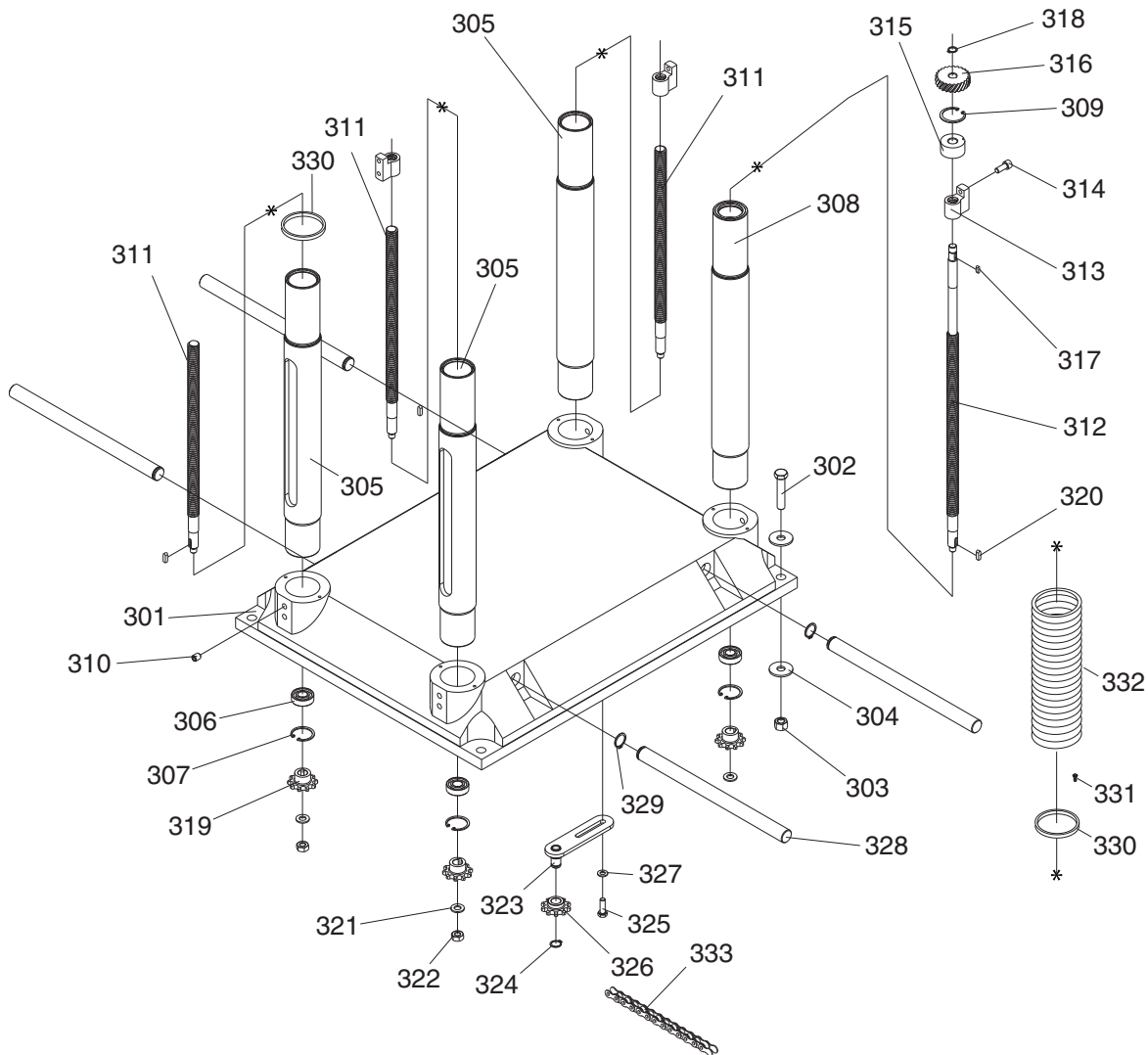


REF	PART #	DESCRIPTION
201	P0454Z201	MAIN TABLE
202	P0454Z202	ROLLER
203	P0454Z203	BALL BEARING 6201ZZ
204	P0454Z204	ECCENTRIC SHAFT
205	P0454Z205	SET SCREW M6-1 X 12
206	P0454Z206	GIB
207	P0454Z207	WEDGE DOG

REF	PART #	DESCRIPTION
208	P0454Z208	LOCK BAR
209	P0454Z209	FEMALE KNOB M12-1.75
210	P0454Z210	EXTENSION WING
211	P0454Z211	LOCK WASHER 8MM
212	P0454Z212	FLAT WASHER 8MM
213	P0454Z213	HEX BOLT M8-1.25 X 35
214	P0454Z214	SET SCREW M8-1.25 X 20



G0454Z Columns

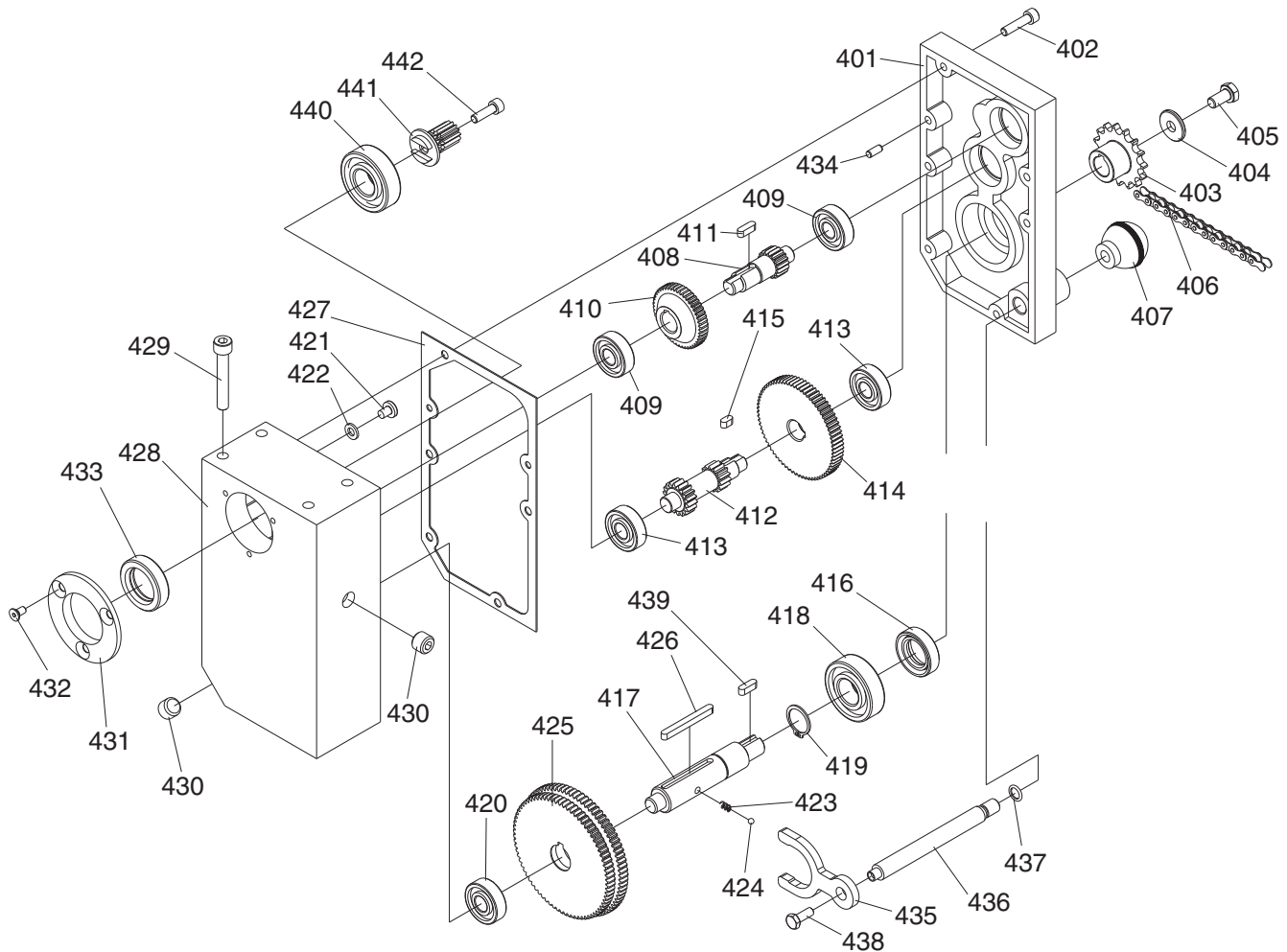


REF	PART #	DESCRIPTION
301	P0454Z301	BASE
302	P0454Z302	HEX BOLT M12-1.75 X 60
303	P0454Z303	HEX NUT M12-1.75
304	P0454Z304	FLAT WASHER 12MM
305	P0454Z305	COLUMN A
306	P0454Z306	BALL BEARING 6202ZZ
307	P0454Z307	INT RETAINING RING 35MM
308	P0454Z308	COLUMN B
309	P0454Z309	INT RETAINING RING 38MM
310	P0454Z310	SET SCREW M10-1.5 X 12
311	P0454Z311	LEADSCREW A
312	P0454Z312	LEADSCREW B
313	P0454Z313	LEAD NUT
314	P0454Z314	CAP SCREW M8-1.25 X 20
315	P0454Z315	LEADSCREW BUSHING
316	P0454Z316	COLUMN GEAR
317	P0454Z317	KEY 4 X 4 X 12

REF	PART #	DESCRIPTION
318	P0454Z318	EXT RETAINING RING 12MM
319	P0454Z319	TABLE LIFTING SPROCKET
320	P0454Z320	KEY 5 X 5 X 16
321	P0454Z321	FLAT WASHER 10MM
322	P0454Z322	HEX NUT M10-1.5
323	P0454Z323	IDLER BRACKET ASSY
324	P0454Z324	EXT RETAINING RING 15MM
325	P0454Z325	HEX BOLT M8-1.25 X 25
326	P0454Z326	IDLER SPROCKET
327	P0454Z327	FLAT WASHER 8MM
328	P0454Z328	LIFTING POST
329	P0454Z329	EXT RETAINING RING 21MM
330	P0454Z330	DUST BOOT SEAL
331	P0454Z331	PHLP HD SCR M5-.8 X 10
332	P0454Z332	DUST BOOT
333	P0454Z333	CHAIN 08A-1 X 66



G0454Z Gearbox

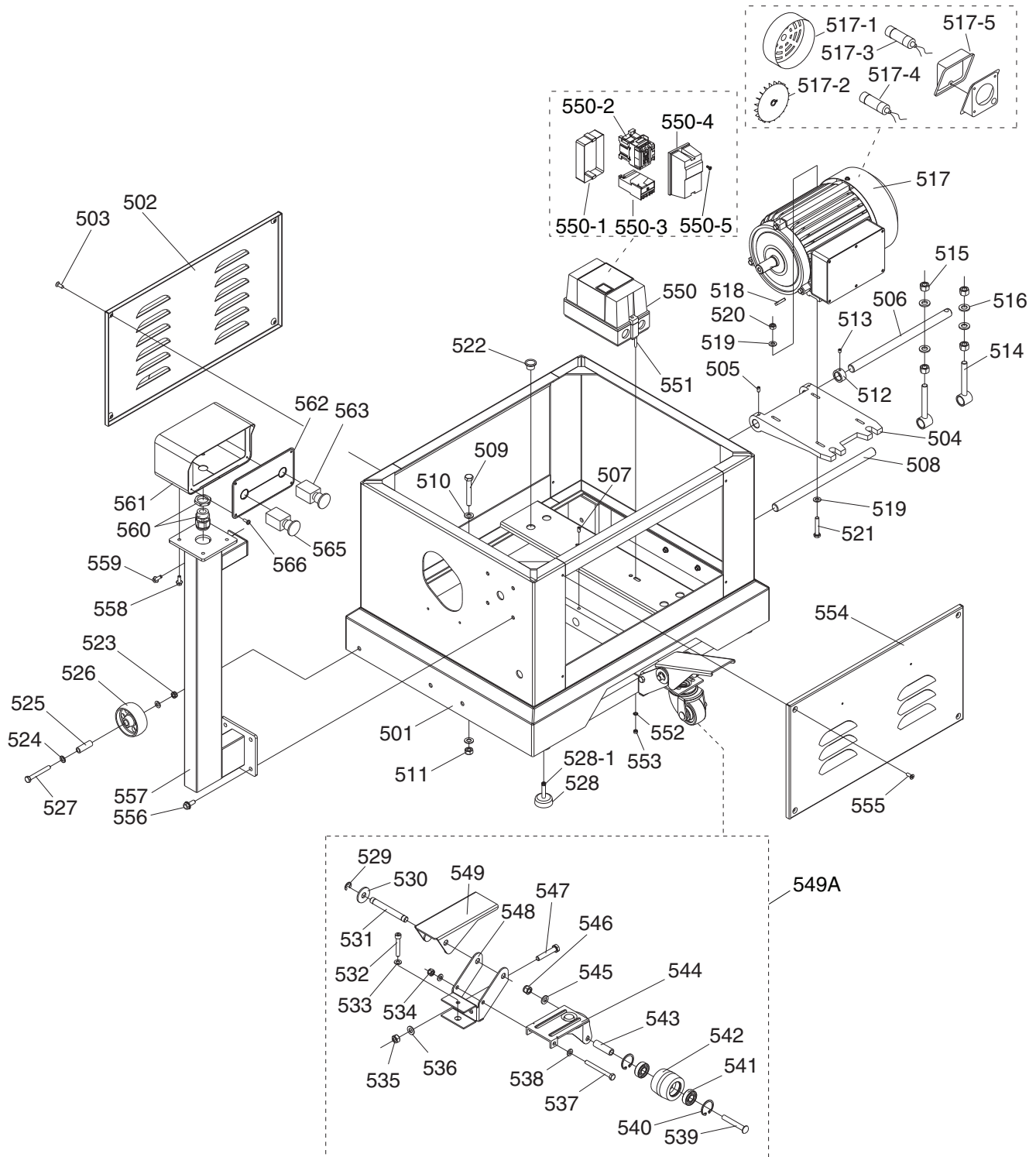


REF	PART #	DESCRIPTION
401	P0454Z401	CHAIN DRIVE COVER
402	P0454Z402	CAP SCREW M6-1 X 25
403	P0454Z403	GEARBOX SPROCKET
404	P0454Z404	FLAT WASHER 8MM
405	P0454Z405	HEX BOLT M8-1.25 X 16
406	P0454Z406	CHAIN 06B-1 X 51
407	P0454Z407	BALL KNOB M10-1.5
408	P0454Z408	GEAR SHAFT A
409	P0454Z409	BALL BEARING 6201ZZ
410	P0454Z410	GEAR A
411	P0454Z411	KEY 5 X 5 X 14
412	P0454Z412	SHAFT B
413	P0454Z413	BALL BEARING 6201ZZ
414	P0454Z414	GEAR B
415	P0454Z415	KEY 5 X 5 X 10
416	P0454Z416	OIL SEAL 25 X 32 X 7
417	P0454Z417	SHAFT C
418	P0454Z418	BALL BEARING 6204ZZ
419	P0454Z419	EXT RETAINING RING 20MM
420	P0454Z420	BALL BEARING 6201ZZ
421	P0454Z421	PHLP HD SCR M6-1 X 8

REF	PART #	DESCRIPTION
422	P0454Z422	FLAT WASHER 6MM
423	P0454Z423	COMPRESSION SPRING
424	P0454Z424	STEEL BALL 4MM
425	P0454Z425	GEAR C
426	P0454Z426	KEY 5 X 5 X 50
427	P0454Z427	GEARBOX COVER GASKET
428	P0454Z428	GEARBOX
429	P0454Z429	CAP SCREW M8-1.25 X 50
430	P0454Z430	OIL PLUG
431	P0454Z431	FLANGE COVER
432	P0454Z432	CAP SCREW M5-.8 X 12
433	P0454Z433	OIL SEAL 25 X 40 X 10
434	P0454Z434	PIN 5 X 10
435	P0454Z435	SHIFT FORK
436	P0454Z436	HANDLE SHAFT
437	P0454Z437	O-RING 10.8 X 2.4 P11
438	P0454Z438	FLANGE BOLT M6-1 X 12
439	P0454Z439	KEY 5 X 5 X 16
440	P0454Z440	BALL BEARING 6204ZZ
441	P0454Z441	GEAR D
442	P0454Z442	SET SCREW M6-1 X 20



G0454Z Stand Breakdown



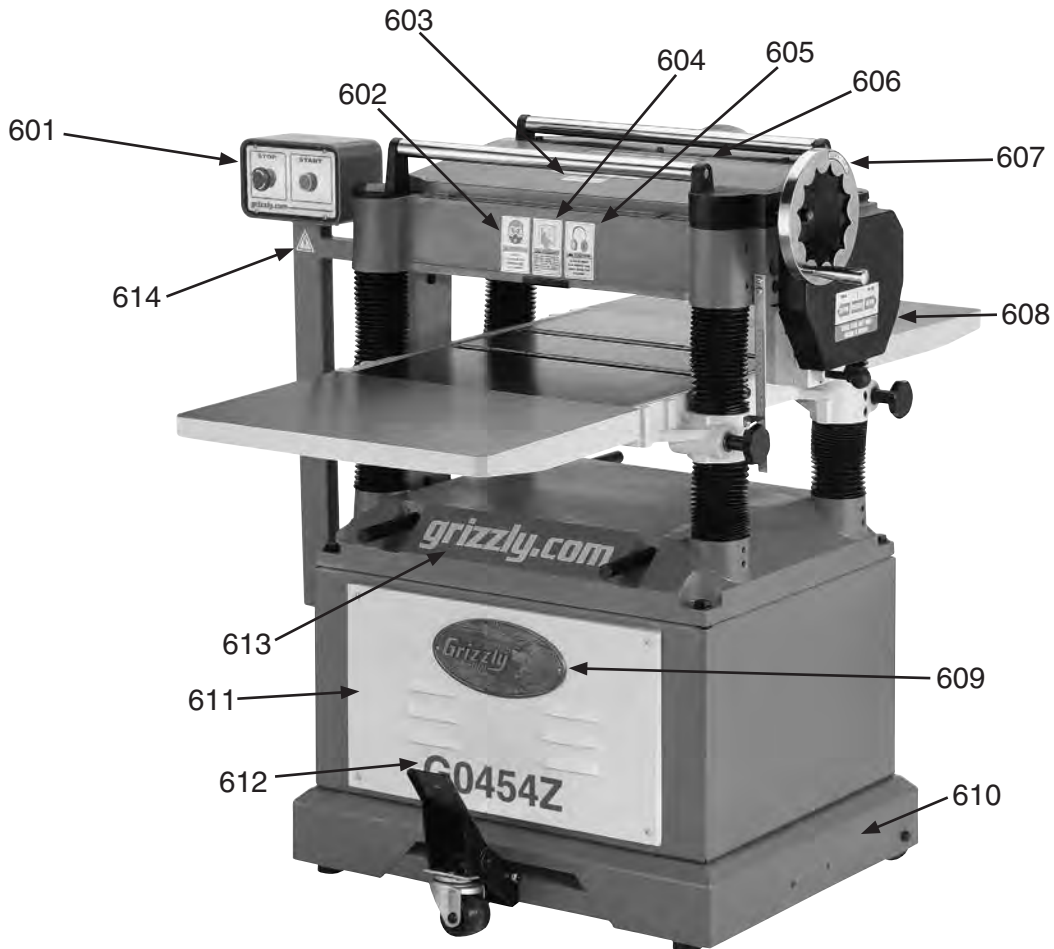
G0454Z Stand Parts List

REF	PART #	DESCRIPTION
501	P0454Z501	ENCLOSED STAND
502	P0454Z502	REAR COVER
503	P0454Z503	FLAT HD SCR M6-1 X 20
504	P0454Z504	MOTOR MOUNT PLATE
505	P0454Z505	SET SCREW M6-1 X 12
506	P0454Z506	PLATE CONNECTING ROD
507	P0454Z507	SET SCREW M8-1.25 X 12
508	P0454Z508	PLATE CONNECTING ROD
509	P0454Z509	HEX BOLT M10-1.5 X 70
510	P0454Z510	FLAT WASHER 10MM
511	P0454Z511	HEX NUT M10-1.5
512	P0454Z512	CONNECTING ROD LOCK COLLAR
513	P0454Z513	SET SCREW M6-1 X 8
514	P0454Z514	ADJUST BOLT
515	P0454Z515	HEX NUT M12-1.75
516	P0454Z516	FLAT WASHER 12MM
517	P0454Z517	MOTOR 5HP 240V 1-PH
517-1	P0454Z517-1	FAN COVER
517-2	P0454Z517-2	MOTOR FAN
517-3V2	P0454Z517-3	S CAPACITOR 300M 250V
517-4V2	P0454Z517-4	R CAPACITOR 60M 450V
517-5	P0454Z517-5	MOTOR WIRING JUNCTION BOX
517-6	P0454Z517-6	BALL BEARING 6206ZZ
517-7	P0454Z517-7	BALL BEARING 6204ZZ
517-8	P0454Z517-8	CENTRIFUGAL SWITCH 19MM 3450
517-9	P0454Z517-9	CONTACT PLATE 19MM
518	P0454Z518	KEY 5 X 5 X 30
519	P0454Z519	FLAT WASHER 8MM
520	P0454Z520	HEX NUT M8-1.25
521	P0454Z521	HEX BOLT M8-1.25 X 45
522	P0454Z522	STRAIN RELIEF
523	P0454Z523	HEX NUT M8-1.25
524	P0454Z524	FLAT WASHER 8MM
525	P0454Z525	SLEEVE
526	P0454Z526	UNIVERSAL WHEEL 78MM DIA
527	P0454Z527	HEX BOLT M8-1.25 X 65
528	P0454Z528	RUBBER FOOT
528-1	P0454Z528-1	HEX NUT M8-1.25
529	P0454Z529	EXT RETAINING RING 9MM
530	P0454Z530	FLAT WASHER 12MM

REF	PART #	DESCRIPTION
531	P0454Z531	SHAFT 12MM
532	P0454Z532	HEX BOLT M8-1.25 X 50
533	P0454Z533	FLAT WASHER 8MM
534	P0454Z534	HEX NUT M8-1.25
535	P0454Z535	HEX NUT M10-1.5
536	P0454Z536	FLAT WASHER 10MM
537	P0454Z537	HEX BOLT M8-1.25 X 100
538	P0454Z538	FLAT WASHER 8MM
539	P0454Z539	TROLLEY WHEEL BOLT
540	P0454Z540	INT RETAINING RING 35MM
541	P0454Z541	BALL BEARING 6202-2RS
542	P0454Z542	TROLLEY WHEEL
543	P0454Z543	TROLLEY WHEEL SLEEVE
544	P0454Z544	TROLLEY UNIVERSAL KIT
545	P0454Z545	FLAT WASHER 10MM
546	P0454Z546	LOCK NUT M12-1.75
547	P0454Z547	HEX BOLT M10-1.5 X 55
548	P0454Z548	BRACKET
549	P0454Z549	PEDAL
549A	P0454Z549A	PEDAL ASSEMBLY
550V2	P0454Z550V2	MAGNETIC SWITCH MS1-35D V2.01.11
550V2-1	P0454Z550V2-1	MAG SWITCH COVER ASSY V2.07.12
550V2-2	P0454Z550V2-2	CONTACTOR NHD C-35D 220V
550-3	P0454Z550-3	OL RELAY NHD NTH-28 24-28A
551	P0454Z551	PHLP HD SCR M5-.8 X 20
552	P0454Z552	FLAT WASHER 5MM
553	P0454Z553	HEX NUT M5-.8
554	P0454Z554	FRONT COVER
555	P0454Z555	PHLP HD SCR M6-1 X 20
556	P0454Z556	HEX BOLT M8-1.25 X 20
557	P0454Z557	SUPPORT ARM 26"
558	P0454Z558	HEX BOLT M6-1 X 16
559	P0454Z559	HEX BOLT M6-1 X 16
560	P0454Z560	BALL STRAIN RELIEF
561	P0454Z561	CONTROL BOX
562	P0454Z562	CONTROL PANEL
563V2	P0454Z563V2	START BUTTON CLEAR V2.01.11
565V2	P0454Z565V2	E-STOP BUTTON 3-ARROW V2.01.11
566	P0454Z566	TAP SCREW #10 X 3/8
567V2	P0454Z567V2	POWER CORD 12G 3W 72" L6-30P V2.08.12



G0454Z Label Placement



REF	PART #	DESCRIPTION
602	P0454Z602	GLASSES/RESPIRATOR LABEL
603V2	P0454Z603V2	MACHINE ID LABEL CSA V2.08.12
604	P0454Z604	READ MANUAL LABEL
605	P0454Z605	HEARING PROTECTION LABEL
606	P0454Z606	CUTTERHEAD DANGER LABEL
607	P0454Z607	HANDWHEEL DIRECTION LABEL
608	P0454Z608	GEARBOX SPEED LABEL

REF	PART #	DESCRIPTION
609	P0454Z609	GRIZZLY LOGO PLATE
610	P0454Z610	GRIZZLY GREEN TOUCH-UP PAINT
611	P0454Z611	GRIZZLY PUTTY TOUCH-UP PAINT
612	P0454Z612	MODEL NUMBER LABEL
613	P0454Z613	GRIZZLY.COM LABEL
614	P0454Z614	ELECTRICITY LABEL

WARNING

Safety labels warn about machine hazards and ways to prevent injury. The owner of this machine **MUST** maintain the original location and readability of the labels on the machine. If any label is removed or becomes unreadable, **REPLACE** that label before using the machine again. Contact Grizzly at (800) 523-4777 or www.grizzly.com to order new labels.

