



MODEL H7763 PEDESTAL STAND FOR BENCH GRINDER INSTRUCTIONS

For questions or help with this product contact Tech Support at (570) 546-9663 or techsupport@grizzly.com

Introduction

The Model H7763 Pedestal Stand features a 9⁷/₈" x 6³/₄" attachment plate, coolant tray, and tripod-style base for stability.



Figure 1. Model H7763.

Specifications

Width x Depth x Height 16¹/₂ x 16¹/₂ x 32 in.
Attachment Plate Size (W x D)..... 9⁷/₈ x 6³/₄ in.
Max. Weight Capacity 110 lbs.

Inventory

Main Inventory (Figure 2)	Qty
A. Base	1
B. Coolant Tray	1
C. Attachment Plate	1
D. Column	1

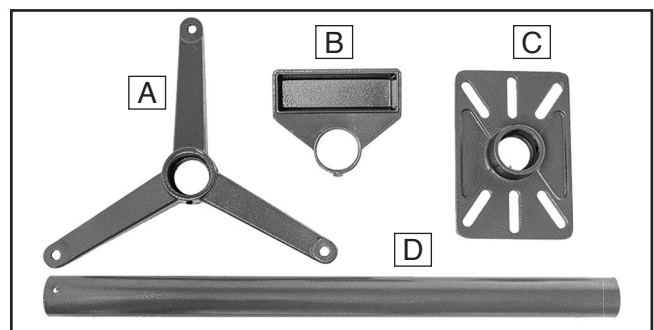


Figure 2. Main inventory.

Hardware Inventory (Figure 3)	Qty
E. Hex Bolts M8-1.25 x 60	2
F. Flat Washers 8mm	4
G. Lock Washers 8mm	2
H. Hex Nuts M8-1.25.....	2
I. Rubber Feet	3
J. Fender Washers 6mm.....	3
K. Hex Nuts M6-1	3
L. Hex Wrench 5mm.....	1

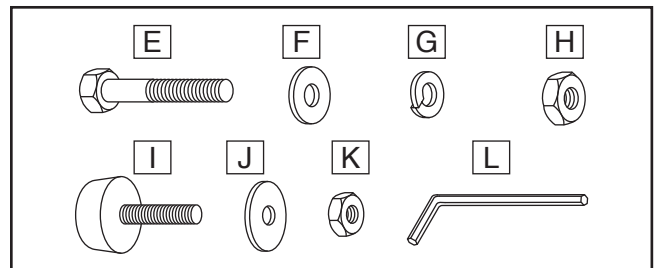


Figure 3. Hardware inventory.

COPYRIGHT © NOVEMBER, 2005 BY GRIZZLY INDUSTRIAL, INC., REVISED JANUARY, 2026 (SG)
NO PORTION OF THIS MANUAL MAY BE REPRODUCED IN ANY SHAPE
OR FORM WITHOUT THE WRITTEN APPROVAL OF GRIZZLY INDUSTRIAL, INC.
(FOR MODELS MFD. SINCE 12/05) #JK7763 PRINTED IN THAILAND

V2.01.26

Keep for Future Reference

!WARNING

The pedestal stand must be anchored directly to the floor when mounting grinders over 50 pounds. Failure to anchor the stand to the floor can result in the machine tipping over and causing serious personal injury!

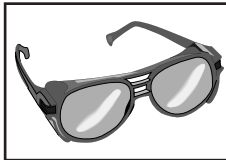
Assembly

There are two options for assembling the Model H7763 Pedestal Stand:

- If your grinder is 50 lbs. or less, proceed to **Step 1**.
- If your grinder is over 50 lbs., proceed to **Anchoring Stand to Concrete Floor**.

Tools Needed

	Qty
Open-End Wrench 10mm.....	1
Safety Glasses	1 Pr.



!WARNING
Wear safety glasses during the entire setup process!

To assemble pedestal stand with rubber feet:

1. Install (3) rubber feet on base with (3) 6mm flat washers and M6-1 hex nuts, as shown in **Figure 4**).

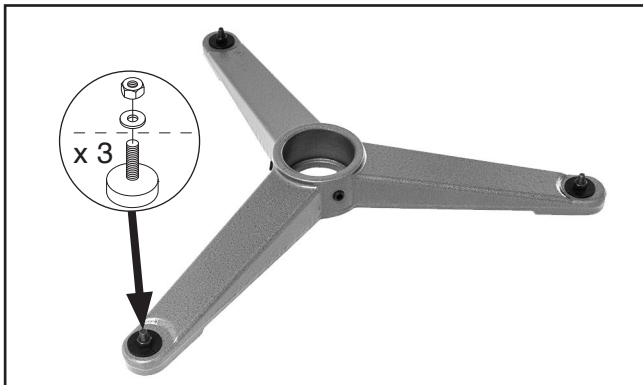


Figure 4. Feet installed on base.

2. Loosen (2) pre-installed set screws in base and insert column, then tighten set screws to secure (see **Figure 5**).

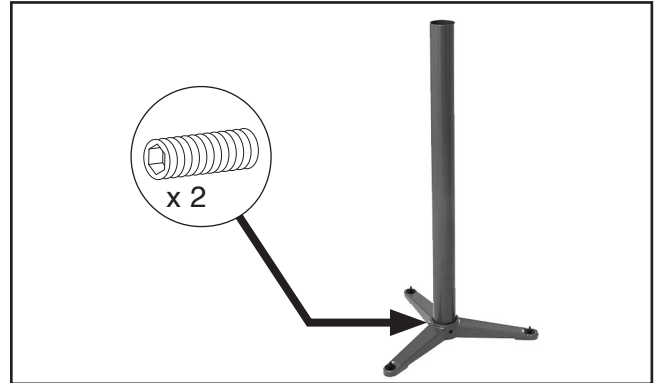


Figure 5. Column installed in base.

3. Slide coolant tray onto column, then tighten pre-installed set screw to secure tray at desired height (see **Figure 6**).

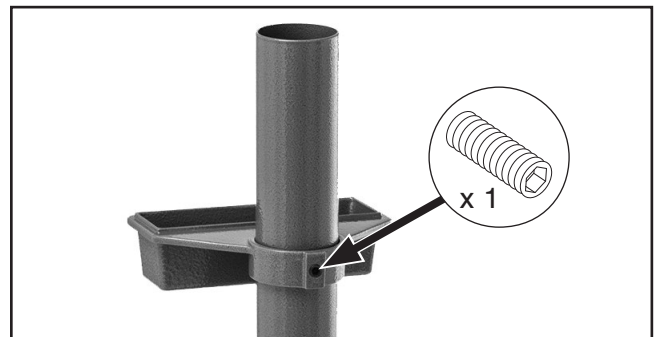


Figure 6. Coolant tray installed.

4. Place attachment plate on column, then tighten (2) pre-installed set screws to secure (see **Figure 7**).

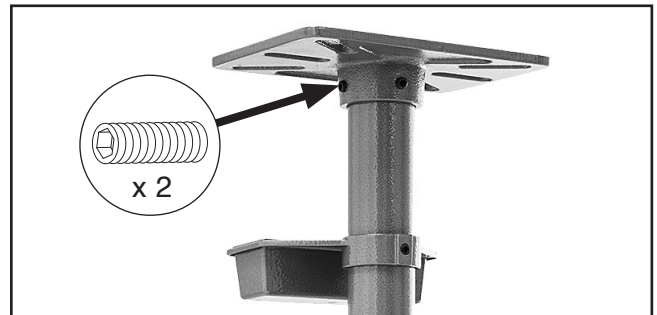


Figure 7. Attachment plate installed.

5. Proceed to **Mounting a Grinder**.



Anchoring Stand to Concrete Floor


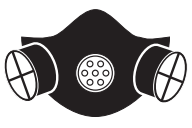

Anchor the Model H7763 directly to a concrete floor when used with a heavy grinder, or when additional stability is desired. Mounting hardware is not included.

Number of Mounting Holes 3
 Diameter of Mounting Hardware..... 3/8"

Tools Needed	Qty
Rotary Hammer or Hammer Drill.....	1
Masonry Bit 5/8".....	1
Hammer.....	1
Wrench or Socket 3/8".....	1
Safety Glasses.....	1 Pr.
Hearing Protection.....	1
Respirator.....	1
Marking Pen.....	1
Vacuum.....	1

! WARNING

Eye injuries, respiratory problems, or hearing loss can occur while anchoring the stand. Wear personal protective equipment to reduce your risk from these hazards.

To anchor stand to concrete floor:

1. Place pedestal base in desired location, and mark (3) mounting hole locations on floor.
2. Remove pedestal base and drill (3) holes in concrete, then clear holes thoroughly with vacuum.
3. Insert 3/8" lag shield anchors, then lightly tap with hammer until flush with floor as shown in **Figure 8**).
4. Reposition pedestal base and install with (3) 3/8" x 3" lag screws and 3/8" flat washers (see **Figure 8**).

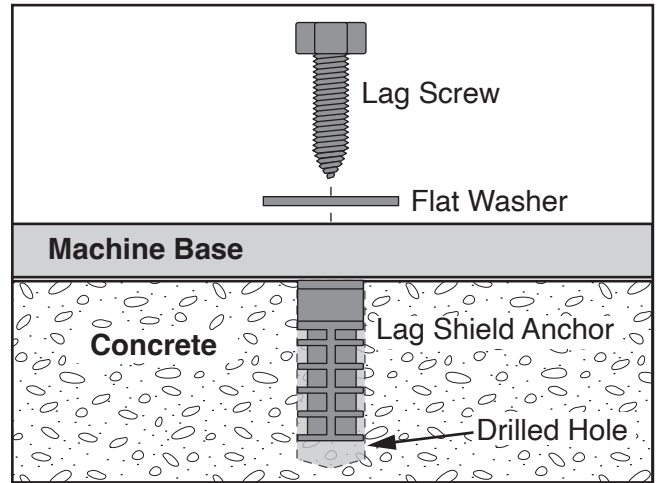


Figure 8. Anchoring base with lag screw.

5. Proceed to **Step 2** in **Assembly**.

Mounting a Grinder

To mount a grinder to the pedestal base, follow the mounting instructions included in the grinder owner's manual.

The Model H7763 comes with (2) M8-1.25 x 60 hex bolts, (4) 8mm flat washers, (2) 8mm lock washers, and (2) M8-1.25 hex nuts, suitable for two-point mounting (see **Figure 9**). Four-point mounting will require additional fasteners.

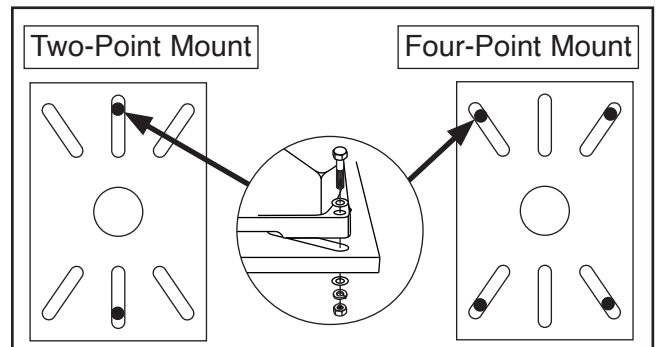


Figure 9. Two-point & four-point mounting.

! WARNING

Make sure any grinder mounted to the pedestal stand is stable and will not tip over. An improperly mounted or unstable grinder can lead to serious personal injury! Grinder weight should not exceed 110 pounds.



WARRANTY & RETURNS

Grizzly Industrial, Inc. warrants every product it sells for a period of **1 year** to the original purchaser from the date of purchase. This warranty does not apply to defects due directly or indirectly to misuse, abuse, negligence, accidents, repairs or alterations or lack of maintenance. This is Grizzly's sole written warranty and any and all warranties that may be implied by law, including any merchantability or fitness, for any particular purpose, are hereby limited to the duration of this written warranty. We do not warrant or represent that the merchandise complies with the provisions of any law or acts unless the manufacturer so warrants. In no event shall Grizzly's liability under this warranty exceed the purchase price paid for the product and any legal actions brought against Grizzly shall be tried in the State of Washington, County of Whatcom.

We shall in no event be liable for death, injuries to persons or property or for incidental, contingent, special, or consequential damages arising from the use of our products.

The manufacturers reserve the right to change specifications at any time because they constantly strive to achieve better quality equipment. We make every effort to ensure that our products meet high quality and durability standards and we hope you never need to use this warranty.

In the event you need to use this warranty, contact us by mail or phone and give us all the details. We will then issue you a "Return Number," which must be clearly posted on the outside as well as the inside of the carton. We will not accept any item back without this number. Proof of purchase must accompany the merchandise.

Please feel free to write or call us if you have any questions about the machine or the manual.

Thank you again for your business and continued support. We hope to serve you again soon.

For further information about the warranty, visit <https://www.grizzly.com/forms/warranty> or scan the QR code below to be automatically directed to our warranty page.

