



Model W1733 Downdraft Sanding Table

Introduction

The Model W1733 (Figure 1) is intended for use with a dust collection system with at least a 4" inlet size. Note—*Inlet sizes smaller than this will not allow the Model W1733 to work as designed.*

Specifications

- Table Size.....20" x 40"
- Dust Port Size 4"
- Minimum Dust Collector Inlet Size..... 4"
- Overall Size.....20" D x 40" L x 6 1/4" H
- Weight..... 24 LBS

Connection

Connect your downdraft sanding table to your dust collection system with a 4" dust hose and hose clamp in the location shown in Figure 2.

Operation

To use the downdraft table, start your dust collector and sand your workpiece on the table as shown in Figure 3.

Cleaning

Your table surface may be cleaned with a damp rag. If your table surface gets gummy from wood pitch, you can use a non-corrosive blade cleaner like Oxisolv® to easily remove it without harming the tabletop surface. DO NOT clean with products that will harm the paint on the table surface like brake parts cleaner, acetone, or gasoline.

Customer Service

For questions contact Woodstock International Technical Support at (360) 734-3482, or send e-mail to: tech-support@shopfox.biz.



Figure 1. Model W1733.



Figure 2. Dust port connected to dust collection system.



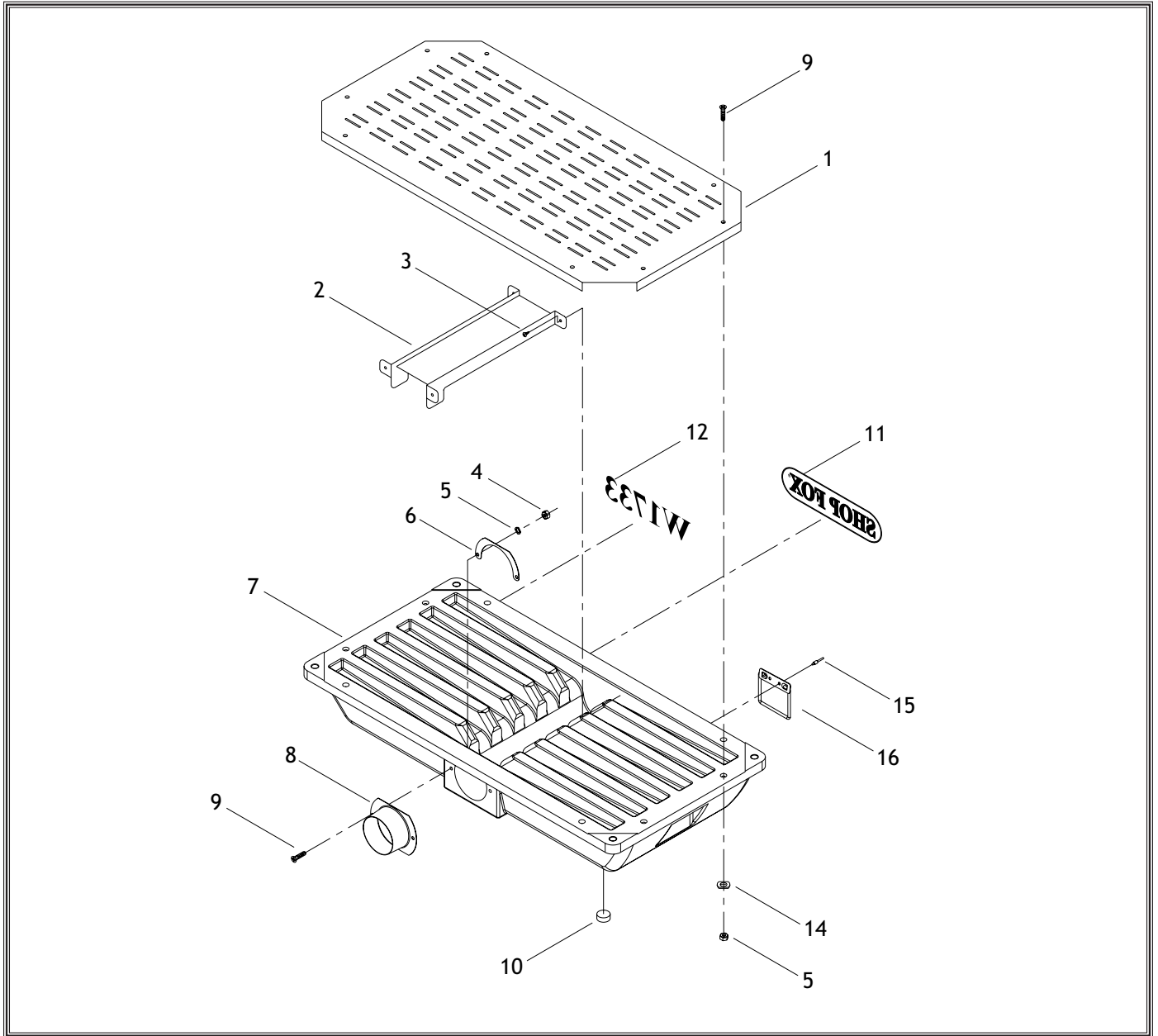
Figure 3. Sanding on the downdraft table.

COPYRIGHT © MAY, 2004. BY WOODSTOCK INTERNATIONAL, INC.

WARNING: NO PORTION OF THIS DOCUMENT MAY BE REPRODUCED IN ANY SHAPE OR FORM WITHOUT THE WRITTEN APPROVAL OF WOODSTOCK INTERNATIONAL, INC.

#6298TR. REVISED OCTOBER, 2004. PRINTED IN CHINA.

W1733 PARTS BREAKDOWN



REF	PART#	DESCRIPTION
1	X1733001	TABLETOP
2	X1733002	DUST CHUTE
3	XPHTEK5M	TAP SCREW M4.2 x 12
4	XPN05	HEX NUT 1/4-20
5	XPLW02	LOCK WASHER 1/4
6	X1733006	REINFORCEMENT PLATE
7	X1733007	BASE
8	X1733008	DUST PORT 4"

REF	PART#	DESCRIPTION
9	XPFH12	FLAT HD SCR 1/4-20 X 1
10	X1733010	FOOT PAD
11	X1733011	LABEL, SHOP FOX LOGO
12	X1733012	LABEL, MODEL NUMBER
14	XPW06	FLAT WASHER 1/4"
15	X1733015	BLIND RIVET
16	X1733016	HANDLE