



# H5694 AND H5695 ELECTRIC CORD REEL MANUAL



COPYRIGHT © OCTOBER, 2003 BY GRIZZLY INDUSTRIAL, INC.

**Warning: No portion of this manual may be reproduced in any shape or form without the written approval of Grizzly Industrial, Inc.**

PRINTED IN CHINA.

## **Cord Reel**

Before using this product, carefully read this general safety rules and instruction listed below. Before starting work, make sure that you know how to stop reel in the event of emergency. Any other use could damage the product or cause serious injury.

Keep these instructions in a safe place and on hand so that they can be read when required.

### ***Technical Details***

Item No.	Cord Specification				Volt (V)	Ampere (A)	Accessory
	AWG (Gauge)	Number of Cond.	Type	Length (Feet)			
H5694	14	3	SJTOW	40	125	13	S-Socket
H5695	12	3		40	125	15	S-Socket

### ***Electrical Information of Accessory***

Cord Apparatus	Voltage	Ampere (A)
Incandescent Lamp (75Watt Max.)	125v 60Hz	10
Fluorescent Lamp	125v 60Hz	10
Single Outlet	125v 60Hz	15
Dual Receptacle Box	125v 60Hz	15

### ***Safety Precautions***

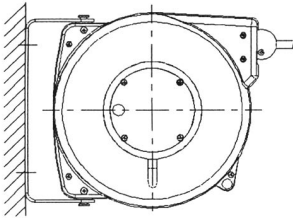
- 1) Ensure that only the qualified electrician installs/services this cord reel. And it must not be used by children or unskilled persons.
- 2) Ensure that power supply voltage does not exceed maximum voltage rating of reel.
- 3) Ensure that reel is properly installed before connecting to power supply.
- 4) Ensure that all electrical power is removed from reel before servicing.
- 5) Check for frayed and broken wires before each use.
- 6) When pull electrical cord from the reel always grasp the electrical cord itself, not the receptacle.
- 7) Remove power from the reel immediately when any malfunction occurs.
- 8) Never remove, tamper with or cut out the safety devices fitted by the manufacture.
- 9) Do not use the reel in damp or wet conditions.Keep the work area clean. Avoid putting too much electrical load on the cord reel.

### ***Installation***

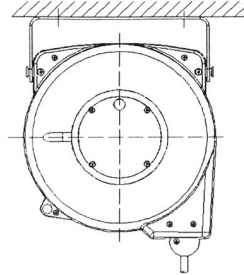
- 1) The cord reel must be installed in premises conforming to current regulation and standards covering electrical systems and work environments.
- 2) Secure the cord reel to the wall and the ceiling according to the installation diagrams. Using screw

anchors or suitable screws which must be fitted in the holes in the brackets.

- 3) Adjust the cord stopper to the suitable position when required.



**Wall**



**Ceiling**

### **Operation**

1. Check reel for correct operation by slowly pulling out the hose. A “clicking” noise will be heard every half revolution of the drum.
2. To latch the reel, pull out the cord and allow it to retract after hearing the first second or third “click”.
3. To unlatch, slowly pull out the hose until the “clicking” noise stops, then let the cord retract until the cord stopper rests against the cord guide.

Note: To avoid damage to the reel, always hold on to the cord while it is rewinding.

### **Maintenance**

#### **UNPLUG THE CORD REEL!**

Make sure the cord is in proper working order and that the insulation is not cut or worn as this could represent a hazard and jeopardize operation.

Clean the cord with a cloth dipped in warm water to remove dirt or deposits and ensure correct rewinding.

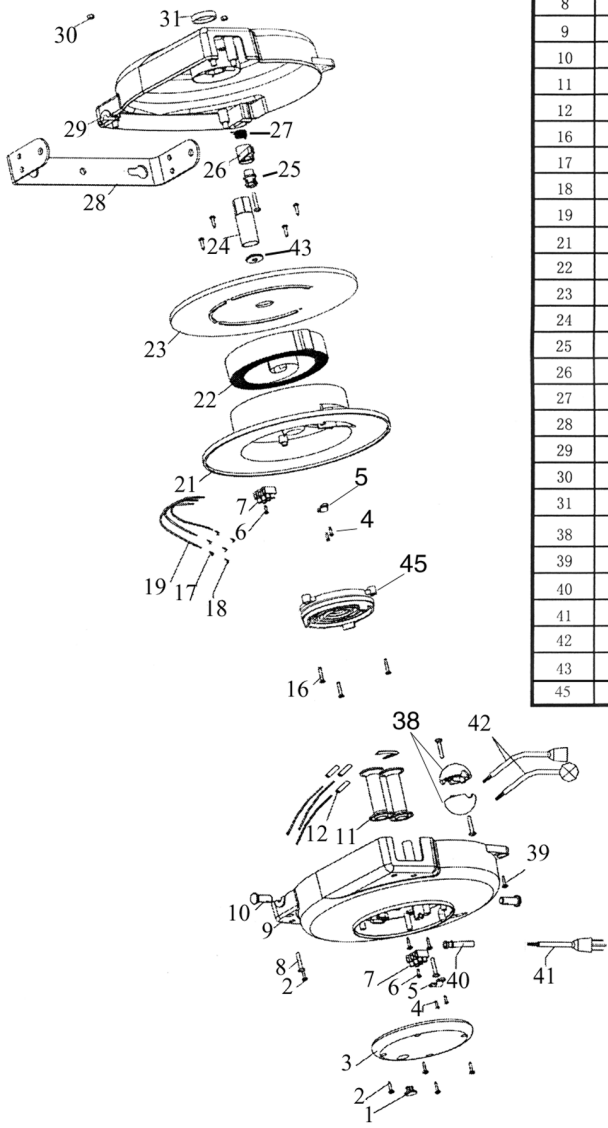
Do not use detergents or solvents which could prove incompatible with cord-winder materials.

If the event of having to perform maintenance on the electrical, mechanical parts or replace the cord, contact an authorized after-sale service center.

Dismantling of the unit by unskilled personal could prove hazardous; have the reel serviced by qualified personnel, only.

### **Limited Warranty**

1. The manufacturer warrants this cord reel against defects in material and craftsmanship, for a period of 12 months from date of purchase.
2. Manufacturer’s liability is limited to replacement or repair of defective material within the warranty period, when returned freight prepaid to the distributor or their designated service depot.
3. The warranty does not cover damage caused by accident, misuse or faulty installation.
4. The reel must be installed and maintained in compliance with the instructions.



Part No.	Description/model	Quantity
1	cover	1
2	sheet metal screw #10	8
3	end cover	1
4	Tri-Wing sheet metal scr #10	4
5	cord clamp	2
6	m3-.5 x 5 slotted screw	2
7	Terminal blocks	2
8	Screw M5x25	2
9	Outer cover	1
10	Pin	2
11	Roller	2
12	Shrinkable tube	3
16	sheet metal screw #10	3
17	Terminal	3
18	Plastic cover	3
19	cablе AWG 14	3
21	Drum	1
22	Spring	1
23	Drum	1
24	Axle	1
25	Ratchet Axle	1
26	Ratchet Pawl	1
27	Spring	1
28	Bracket	1
29	Outer cover	1
30	Nut	2
31	Cover	1
38	Stop block	2
39	sheet metal screw #10	1
40	sheath	1
41	cord with plug	1
42	Outlet	1
43	Bearing	1
45	Rotary Conductor Assy.	