



# INSTRUCTION SHEET

## Model H5664

### Formed Steel Extension Wings

Grizzly is proud to offer the H5664 Formed Steel Extension Wings for your G0444/Z Table Saw. Please read through this instruction sheet to become familiar with your new extension wings.

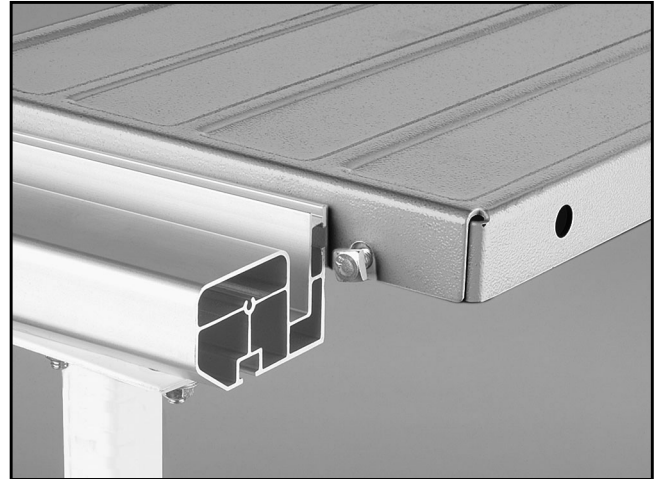
These extension wings fit into the H5744 79" rails to support large workpieces and increase the overall working surface.

#### To install the H5664 Formed Steel Extension Wings:

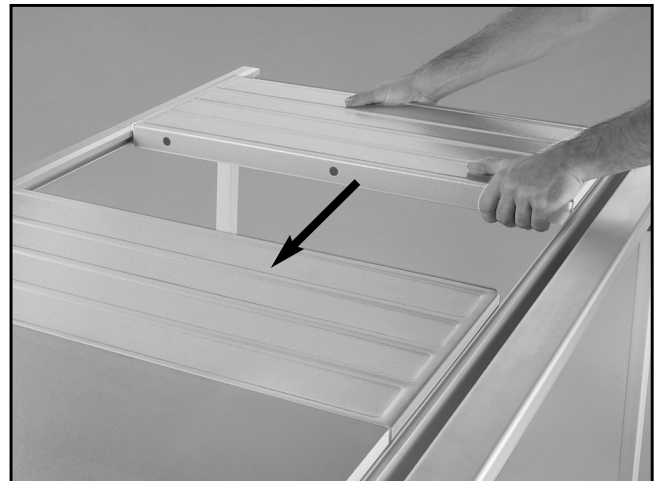
1. Loosely install the T-bolts, the washers, and the hex nuts into the predrilled holes on the short sides of the extension wings.
2. Insert the T-bolt heads into the T-slots on the inside of the rail as shown in **Figure 1**.
3. Slide all 3 tables into place as shown in **Figure 2**. Note—*The tables easily slide into place if you lift up while sliding them.*
4. Place a straightedge across the top of the extension wings to check the alignment.
5. Secure the wings in place by tightening the nuts behind the inside edge of the wings.

*If you need additional help with this procedure, call our service department at: (570) 546-9663.*

Refer to the machine owners manual for additional information and safety guidelines.

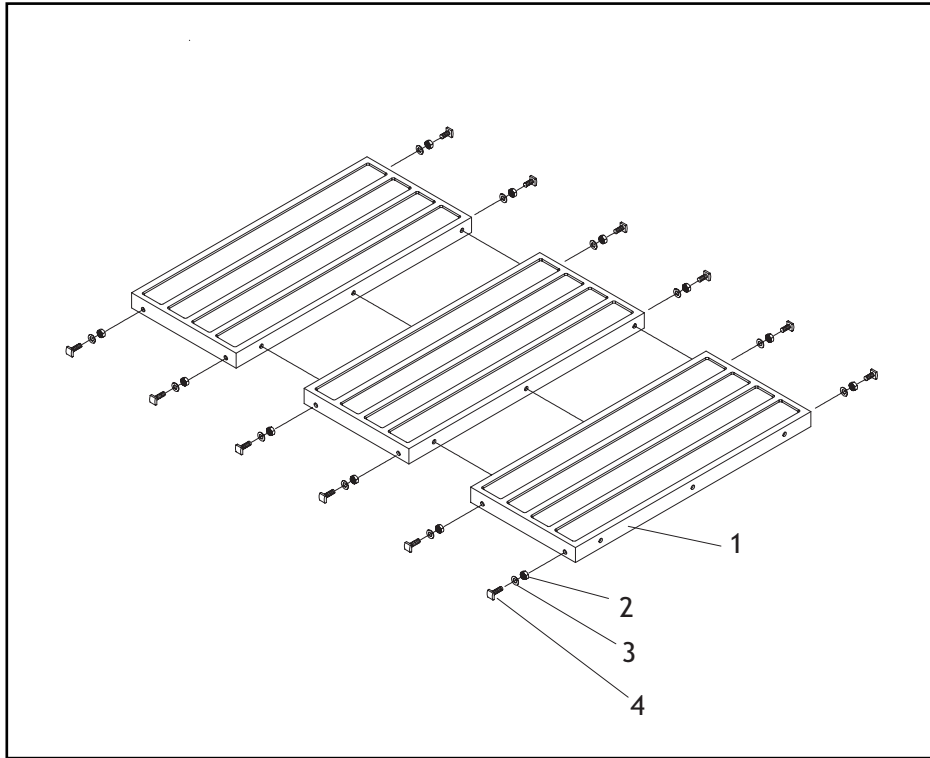


**Figure 1.** Inserting T-bolt heads.



**Figure 2.** Installing extension wings.

# H5664 Parts Diagram



REF	PART #	DESCRIPTION
1	PH5664001	Metal Wing
2	PN02	Hex Nut $\frac{5}{16}$ "-18
3	PW07	Flat Washer $\frac{5}{16}$ "
4	PH5664004	Square bolt $\frac{5}{16}$ "-18 X $\frac{3}{4}$ "