



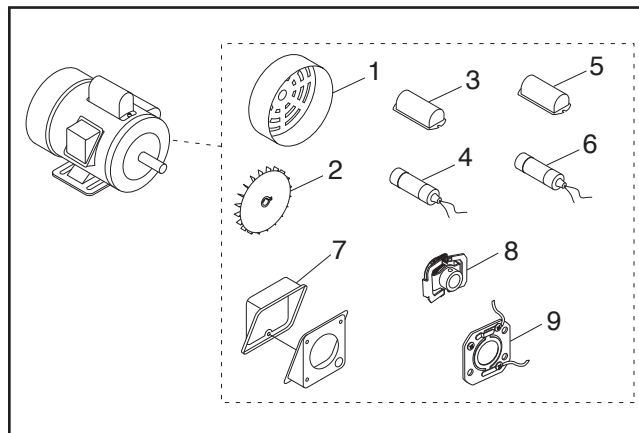
MODEL H5390 5 HP ELECTRIC MOTOR INSTRUCTIONS


For questions or help with this product contact Tech Support at (570) 546-9663 or techsupport@grizzly.com

Model H5390 Specifications

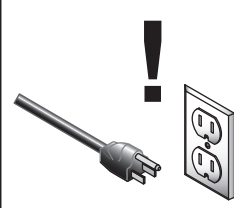
Power	5 HP
Cycle.....	60Hz
Voltage.....	220V
Amps	25A
RPM.....	3450
Phase	Single
Class.....	B

Replaceable Parts





! WARNING
Electrocution or fire could result if this motor is not grounded correctly or if your wire connections do not comply with local and state codes. Ensure compliance by checking with a qualified electrician!



! WARNING
Disconnect power when replacing motor. Failure to do this may result in serious personal injury.

REF PART #	DESCRIPTION
1	PH5390001 MOTOR FAN COVER
2	PH5390002 MOTOR FAN
3	PH5390003 S CAPACITOR COVER
4	PH5390004 S CAPACITOR 400M 125V 1-7/8 X 3-3/8
5	PH5390005 R CAPACITOR COVER
6	PH5390006 R CAPACITOR 50M 350V 1-7/8 X 3-3/8
7	PH5390007 JUNCTION BOX
8	PH5390008 CENTRIFUGAL SWITCH
9	PH5390009 CONTACT PLATE

Making Wire Connections

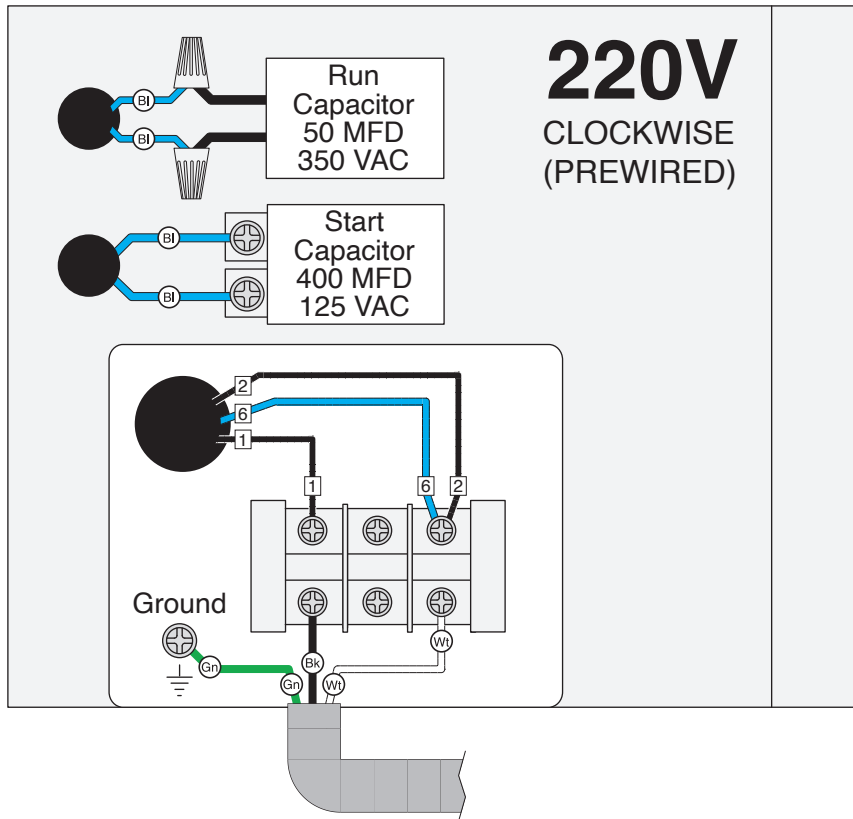
If you are unsure how to attach wires to terminals, DO NOT continue. Contact an electrician for assistance. Connecting wires improperly may cause electrocution, fire, or a short.

COPYRIGHT © DECEMBER, 2007 BY GRIZZLY INDUSTRIAL, INC., REVISED JUNE, 2024 (LW)
NO PORTION OF THIS INSTRUCTION SHEET MAY BE REPRODUCED IN ANY SHAPE
OR FORM WITHOUT THE WRITTEN APPROVAL OF GRIZZLY INDUSTRIAL, INC.
(FOR MODELS MFD. SINCE 08/24) #JB10237 PRINTED IN TAIWAN

V2.06.24

Keep for Future Reference

H5390 Wiring Diagram

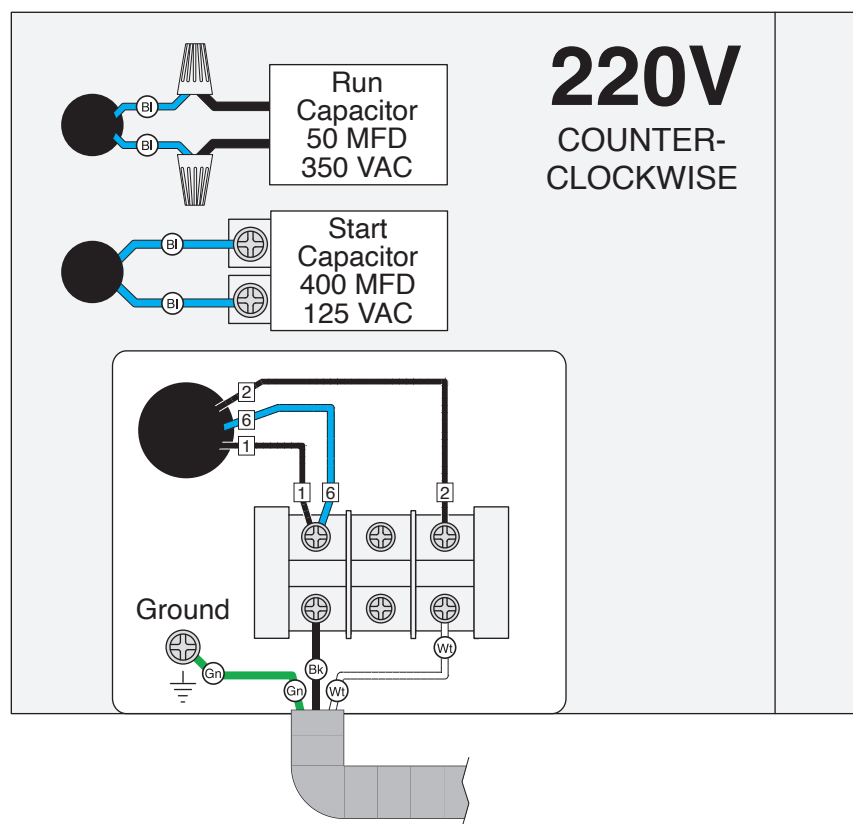


COLOR KEY

BLACK	
WHITE	
GREEN	
BLUE	

NOTICE

The motor wiring shown here is current at the time of printing, but it may not match your motor. Always use the wiring diagram inside the motor junction box.



WARNING!

SHOCK HAZARD!
Disconnect power before working on wiring.

