



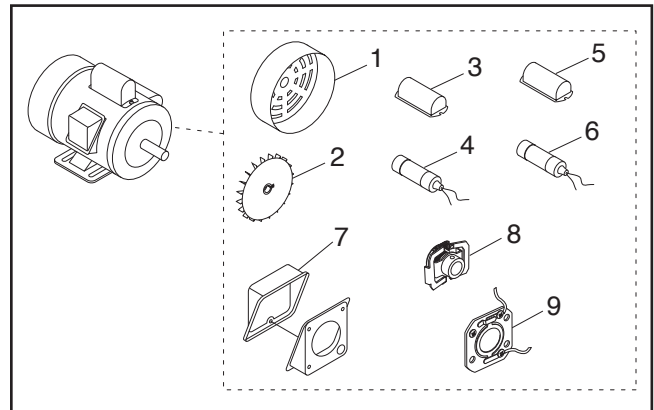
MODEL H5383 2 HP ELECTRIC MOTOR INSTRUCTIONS

For questions or help with this product contact Tech Support at (570) 546-9663 or techsupport@grizzly.com

Model H5383 Specifications

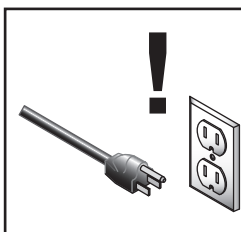
Power 2 HP
 Cycle..... 60Hz
 Voltage..... 110/220V
 Prewired 220V
 Amps 21/10.5A
 RPM..... 1725
 Phase Single
 Class..... B

Replaceable Parts



⚠️ WARNING

Electrocution or fire could result if this motor is not grounded correctly or if your wire connections do not comply with local and state codes. Ensure compliance by checking with a qualified electrician!



⚠️ WARNING

Disconnect power when replacing motor. Failure to do this may result in serious personal injury.

REF PART # DESCRIPTION

REF PART #	DESCRIPTION
1	PH5383001 MOTOR FAN COVER
2	PH5383002 MOTOR FAN
3	PH5383003 S CAPACITOR COVER
4	PH5383004 S CAPACITOR 400M 125V 1-7/8 X 3-3/8
5	PH5383005 R CAPACITOR COVER
6	PH5383006 R CAPACITOR 70M 250V 1-7/8 X 3-3/8
7	PH5383007 JUNCTION BOX
8	PH5383008 CENTRIFUGAL SWITCH
9	PH5383009 CONTACT PLATE

Making Wire Connections

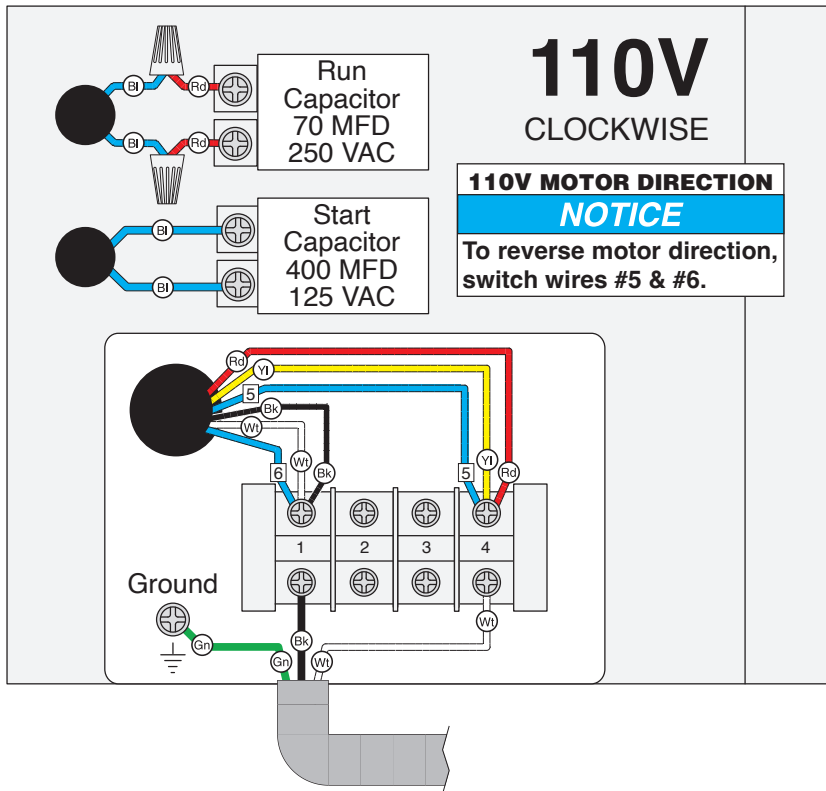
If you are unsure how to attach wires to terminals, DO NOT continue. Contact an electrician for assistance. Connecting wires improperly may cause electrocution, fire, or a short.

COPYRIGHT © DECEMBER, 2007 BY GRIZZLY INDUSTRIAL, INC., REVISED JUNE, 2024 (LW)
 NO PORTION OF THIS INSTRUCTION SHEET MAY BE REPRODUCED IN ANY SHAPE
 OR FORM WITHOUT THE WRITTEN APPROVAL OF GRIZZLY INDUSTRIAL, INC.
 (FOR MODELS MFD. SINCE 08/24) #JB10226 PRINTED IN TAIWAN

V2.06.24

Keep for Future Reference

H5383 Wiring Diagram



COLOR KEY

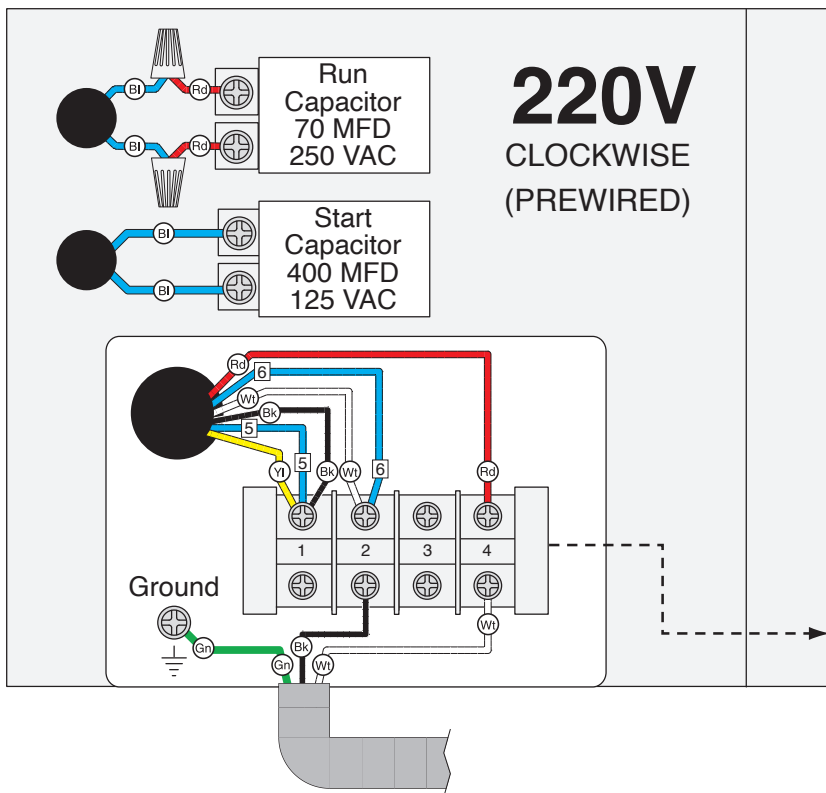
BLACK	
WHITE	
GREEN	
RED	
YELLOW	
BLUE	

NOTICE

The motor wiring shown here is current at the time of printing, but it may not match your motor. Always use the wiring diagram inside the motor junction box.

WARNING!

SHOCK HAZARD!
Disconnect power before working on wiring.



220V
COUNTERCLOCKWISE

