



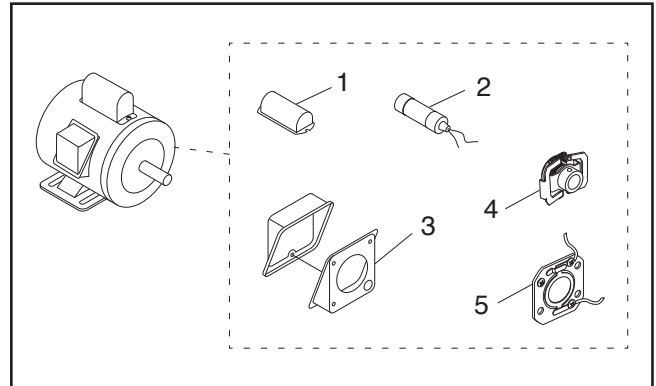
# MODEL H5376 3/4 HP ELECTRIC MOTOR INSTRUCTIONS

For questions or help with this product contact Tech Support at (570) 546-9663 or techsupport@grizzly.com

## Model H5376 Specifications

Power ..... 3/4 HP  
 Cycle..... 60 Hz  
 Voltage..... 110V  
 Amps ..... 11A  
 Speed ..... 1725 RPM  
 Phase ..... Single-Phase  
 Class..... B

## Replaceable Parts

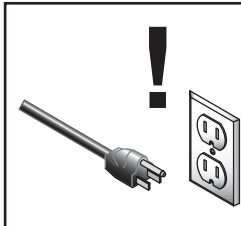


### ! WARNING

Electrocution or fire could result if this motor is not grounded correctly or if your wire connections do not comply with local and state codes. Ensure compliance by checking with a qualified electrician!

### REF PART # DESCRIPTION

REF PART #	DESCRIPTION
1	PH5376001 S CAPACITOR COVER
2	PH5376002 S CAPACITOR 200M 125V 1-1/2 X 2-3/8
3	PH5376003 JUNCTION BOX
4	PH5376004 CENTRIFUGAL SWITCH
5	PH5376005 CONTACT PLATE



### ! WARNING

Disconnect power when replacing motor. Failure to do this may result in serious personal injury.

## Making Wire Connections

If you are unsure how to attach wires to terminals, DO NOT continue. Contact an electrician for assistance. Connecting wires improperly may cause them to come loose or contact other wires, which can cause electrocution, fire, or a short.

COPYRIGHT © DECEMBER, 2007 BY GRIZZLY INDUSTRIAL, INC., REVISED NOVEMBER, 2024 (LW)  
 NO PORTION OF THIS INSTRUCTION SHEET MAY BE REPRODUCED IN ANY SHAPE  
 OR FORM WITHOUT THE WRITTEN APPROVAL OF GRIZZLY INDUSTRIAL, INC.  
 (FOR MODELS MFD. SINCE 11/24) #JB10234 PRINTED IN TAIWAN

V2.11.24

\*\*\*Keep for Future Reference\*\*\*

# H5376 Wiring Diagram



COLOR KEY	
BLACK	— (Bk) —
WHITE	— (Wt) —
GREEN	— (Gn) —
BLUE	— (Bl) —
RED	— (Rd) —

**NOTICE**  
The motor wiring shown here is current at the time of printing, but it may not match your motor. Always use the wiring diagram inside the motor junction box.

