

# *Grizzly* **Industrial, Inc.**®

## **MODEL G0630 EXTRA LONG DOWNDRAFT TABLE OWNER'S MANUAL**



COPYRIGHT © JANUARY, 2007 BY GRIZZLY INDUSTRIAL, INC.  
**WARNING: NO PORTION OF THIS MANUAL MAY BE REPRODUCED IN ANY SHAPE  
OR FORM WITHOUT THE WRITTEN APPROVAL OF GRIZZLY INDUSTRIAL, INC.**  
#TS8795 PRINTED IN TAIWAN

 **WARNING!**

**This manual provides critical safety instructions on the proper setup, operation, maintenance and service of this machine/equipment.**

**Failure to read, understand and follow the instructions given in this manual may result in serious personal injury, including amputation, electrocution or death.**

**The owner of this machine/equipment is solely responsible for its safe use. This responsibility includes but is not limited to proper installation in a safe environment, personnel training and usage authorization, proper inspection and maintenance, manual availability and comprehension, application of safety devices, blade/cutter integrity, and the usage of personal protective equipment.**

**The manufacturer will not be held liable for injury or property damage from negligence, improper training, machine modifications or misuse.**

 **WARNING!**

**Some dust created by power sanding, sawing, grinding, drilling, and other construction activities contains chemicals known to the State of California to cause cancer, birth defects or other reproductive harm. Some examples of these chemicals are:**

- **Lead from lead-based paints.**
- **Crystalline silica from bricks, cement and other masonry products.**
- **Arsenic and chromium from chemically-treated lumber.**

**Your risk from these exposures varies, depending on how often you do this type of work. To reduce your exposure to these chemicals: Work in a well ventilated area, and work with approved safety equipment, such as those dust masks that are specially designed to filter out microscopic particles.**

# Table of Contents

- INTRODUCTION..... 2**
  - Foreword ..... 2
  - Contact Info ..... 2
  - Machine Data Sheet..... 3
  - Identification ..... 5
- SECTION 1: SAFETY ..... 6**
  - Safety Instruction for Machinery ..... 7
  - Additional Safety Instructions for Downdraft Tables ..... 8
- SECTION 2: CIRCUIT REQUIREMENTS ..... 9**
  - 110V Operation ..... 9
- SECTION 3: SET UP ..... 10**
  - Set Up Safety ..... 10
  - Items Needed for Set Up ..... 10
  - Unpacking ..... 10
  - Inventory..... 11
  - Site Considerations ..... 12
  - Assembly..... 12
  - Test Run..... 13
- SECTION 4: OPERATIONS ..... 14**
  - Operation Tips..... 14
- SECTION 5: ACCESSORIES ..... 15**
- SECTION 6: MAINTENANCE ..... 16**
  - Schedule ..... 16
  - Cleaning ..... 16
  - Filters..... 16
- SECTION 7: SERVICE ..... 17**
  - Troubleshooting..... 17
  - Wiring Diagram ..... 18
  - Parts Breakdown ..... 19
  - Safety Label Placement ..... 21
- WARRANTY AND RETURNS ..... 22**

# INTRODUCTION

---

---

## Foreword

---

---

We are proud to offer the Model G0630 Extra Long Downdraft Table. This machine is part of a growing Grizzly family of fine woodworking machinery. When used according to the guidelines set forth in this manual, you can expect years of trouble-free, enjoyable operation and proof of Grizzly's commitment to customer satisfaction.

We are pleased to provide this manual with the Model G0630. It was written to guide you through assembly, review safety considerations, and cover general operating procedures. It represents our effort to produce the best documentation possible.

The specifications, drawings, and photographs illustrated in this manual represent the Model G0630 as supplied when the manual was prepared. However, owing to Grizzly's policy of continuous improvement, changes may be made at any time with no obligation on the part of Grizzly. For your convenience, we always keep current Grizzly manuals available on our website at **www.grizzly.com**. Any updates to your machine will be reflected in these manuals as soon as they are complete. Visit our site often to check for the latest updates to this manual!

## Contact Info

---

---

If you have any comments regarding this manual, please write to us at the address below:

Grizzly Industrial, Inc.  
c/o Technical Documentation Manager  
P.O. Box 2069  
Bellingham, WA 98227-2069  
E-Mail: manuals@grizzly.com

We stand behind our machines. If you have any service questions or parts requests, please call or write us at the location listed below.

Grizzly Industrial, Inc.  
1203 Lycoming Mall Circle  
Muncy, PA 17756  
Phone: (570) 546-9663  
Fax: (800) 438-5901  
E-Mail: techsupport@grizzly.com  
Web Site: <http://www.grizzly.com>





# MACHINE DATA SHEET

Customer Service #: (570) 546-9663 • To Order Call: (800) 523-4777 • Fax #: (800) 438-5901

## MODEL G0630 80" X 20" EXTRA LONG DOWNDRAFT TABLE

### Product Dimensions:

Weight .....304 lbs.  
Length/Width/Height ..... 80 x 20 x 38 in.  
Foot Print (Length/Width)..... 81 x 22 in.

### Shipping Dimensions:

Type ..... Cardboard/Wood Runner  
Content.....Machine  
Weight.....412 lbs.  
Length/Width/Height..... 85 x 26-3/4 x 31 in.

### Electrical:

Switch..... Sealed Rocker Switch  
Switch Voltage ..... 110V  
Cord Length ..... 10 ft.  
Cord Gauge ..... 16 gauge  
Recommended Breaker Size ..... 20 amp  
Plug..... Yes

### Motors:

Type ..... ODP Capacitor Running Induction  
Number of Motors ..... 2  
Horsepower..... 1/2 HP  
Voltage ..... 110V  
Phase ..... Single  
Amps .....7 amps per Motor, 14 amps Total  
Speed ..... 1175 RPM  
Cycle ..... 60 Hz  
Number Of Speeds ..... 1  
Power Transfer ..... Direct Drive  
Bearings ..... Shielded and Lubricated

### Main Specifications:

#### Operation Info

Air Suction Capacity..... 1300 CFM  
Number of Fans ..... 2  
Fan Type..... Squirrel Cage  
Fan Size..... 9-1/2 in.



**Filter Info**

Filter Type .....	Pleated Fabric Bag
Length/Width/Thickness .....	24 x 12 x 12 in.
Number of Filters .....	2
Number of Collection Pleats per Filter .....	3
Total Filter Area .....	24 ft <sup>2</sup>
Filter Micron .....	1
Filter Efficiency .....	96 %

**Table Info**

Lenth/Width .....	80 x 20 in.
Floor to Table Height .....	38 in.
Number of Table Slots .....	264
Table Slot Dimensions .....	0.16 x 2.32 in.

**Construction Info**

Frame .....	Pre-Formed Steel
Base .....	Pre-Formed Steel
Fan .....	Zinc Plated Steel
Table Top .....	Pre-Formed Steel
Side Wall .....	Steel
Filter .....	Woven Fabric and Aluminum
Paint .....	Powder Coated

**Other Specifications:**

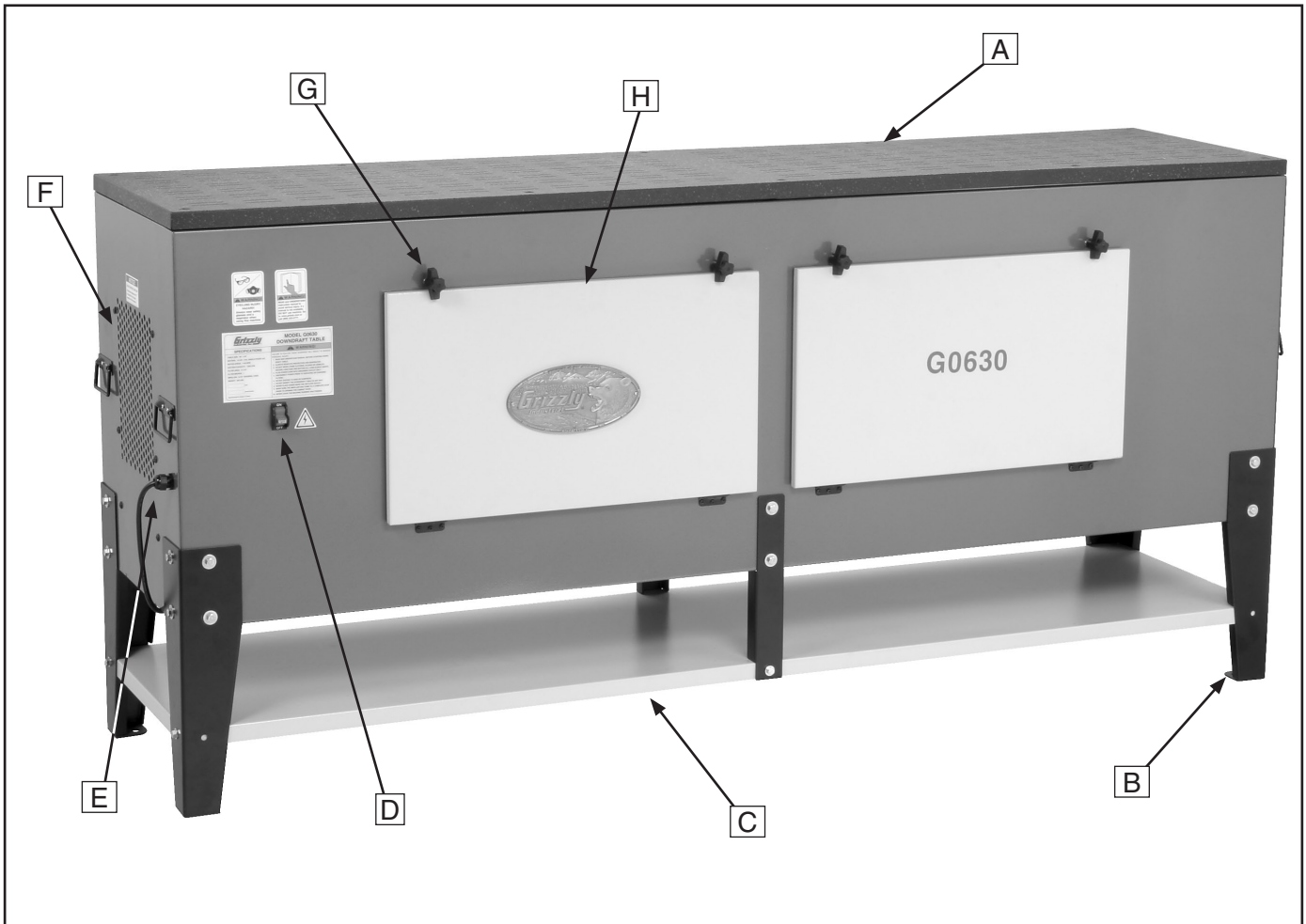
Country of Origin .....	Taiwan
Warranty .....	1 Year
Serial Number Location .....	Machine ID Label
Assembly Time .....	15 minutes

**Features:**

- Non-Marring Slip-Resistant Table Top
- Convenient Access Filter Bays
- Quiet Operation at 1300 CFM Downdraft
- Pre-Formed Steel Table and Base
- Two 1/2 HP Motors



# Identification



**Figure 1.** Model G0630.

- A.** Table Top
- B.** Supporting Leg
- C.** Base Shelf
- D.** Sealed Rocker Power Switch
- E.** Power Cord
- F.** Air Flow Outlet
- G.** Filter Access Door Latch
- H.** Filter Access Door



# SECTION 1: SAFETY

## **WARNING**

### **For Your Own Safety, Read Instruction Manual Before Operating this Machine**

The purpose of safety symbols is to attract your attention to possible hazardous conditions. This manual uses a series of symbols and signal words intended to convey the level of importance of the safety messages. The progression of symbols is described below. Remember that safety messages by themselves do not eliminate danger and are not a substitute for proper accident prevention measures.



Indicates an imminently hazardous situation which, if not avoided, **WILL** result in death or serious injury.



Indicates a potentially hazardous situation which, if not avoided, **COULD** result in death or serious injury.



Indicates a potentially hazardous situation which, if not avoided, **MAY** result in minor or moderate injury. It may also be used to alert against unsafe practices.

***NOTICE***

This symbol is used to alert the user to useful information about proper operation of the machine.

## **WARNING**

### **Safety Instructions for Machinery**

- 1. READ THE ENTIRE MANUAL BEFORE STARTING MACHINERY.** Machinery presents serious injury hazards to untrained users.
- 2. ALWAYS USE ANSI APPROVED SAFETY GLASSES WHEN OPERATING MACHINERY.** Everyday eyeglasses only have impact resistant lenses—they are NOT safety glasses.
- 3. ALWAYS WEAR A NIOSH APPROVED RESPIRATOR WHEN OPERATING MACHINERY THAT PRODUCES DUST.** Wood dust can cause severe respiratory illnesses.
- 4. ALWAYS USE HEARING PROTECTION WHEN OPERATING MACHINERY.** Machinery noise can cause permanent hearing loss.
- 5. WEAR PROPER APPAREL. DO NOT** wear loose clothing, gloves, neckties, rings, or jewelry that can catch in moving parts. Wear protective hair covering to contain long hair and wear non-slip footwear.
- 6. NEVER OPERATE MACHINERY WHEN TIRED OR UNDER THE INFLUENCE OF DRUGS OR ALCOHOL.** Be mentally alert at all times when running machinery.



# WARNING

## Safety Instructions for Machinery

7. **ONLY ALLOW TRAINED AND PROPERLY SUPERVISED PERSONNEL TO OPERATE MACHINERY.** Make sure operation instructions are safe and clearly understood.
8. **KEEP CHILDREN AND VISITORS AWAY.** Keep all children and visitors a safe distance from the work area.
9. **MAKE WORKSHOP CHILDPROOF.** Use padlocks, master switches, and remove start switch keys.
10. **NEVER LEAVE WHEN MACHINE IS RUNNING.** Turn power **OFF** and allow all moving parts to come to a complete stop before leaving machine unattended.
11. **DO NOT USE IN DANGEROUS ENVIRONMENTS.** DO NOT use machinery in damp, wet locations, or where any flammable or noxious fumes may exist.
12. **KEEP WORK AREA CLEAN AND WELL LIGHTED.** Clutter and dark shadows may cause accidents.
13. **USE A GROUNDED EXTENSION CORD RATED FOR THE MACHINE AMPERAGE.** Grounded cords minimize shock hazards. Undersized cords create excessive heat. Always replace damaged extension cords.
14. **ALWAYS DISCONNECT FROM POWER SOURCE BEFORE SERVICING MACHINERY.** Make sure switch is in OFF position before reconnecting.
15. **MAINTAIN MACHINERY WITH CARE.** Keep blades sharp and clean for best and safest performance. Follow instructions for lubricating and changing accessories.
16. **MAKE SURE GUARDS ARE IN PLACE AND WORK CORRECTLY BEFORE USING MACHINERY.**
17. **REMOVE ADJUSTING KEYS AND WRENCHES.** Make a habit of checking for keys and adjusting wrenches before turning machinery **ON**.
18. **CHECK FOR DAMAGED PARTS BEFORE USING MACHINERY.** Check for binding or misaligned parts, broken parts, loose bolts, and any other conditions that may impair machine operation. Repair or replace damaged parts before operation.
19. **USE RECOMMENDED ACCESSORIES.** Refer to the instruction manual for recommended accessories. Improper accessories increase risk of injury.
20. **DO NOT FORCE MACHINERY.** Work at the speed for which the machine or accessory was designed.
21. **SECURE WORKPIECE.** Use clamps or a vise to hold the workpiece when practical. A secured workpiece protects your hands and frees both hands to operate the machine.
22. **DO NOT OVERREACH.** Maintain stability and balance at all times.
23. **MANY MACHINES CAN EJECT WORKPIECES TOWARD OPERATOR.** Know and avoid conditions that cause the workpiece to "kickback."
24. **ALWAYS LOCK MOBILE BASES (IF USED) BEFORE OPERATING MACHINERY.**
25. **CERTAIN DUST MAY BE HAZARDOUS** to the respiratory systems of people and animals, especially fine dust. Be aware of the type of dust you are exposed to and always wear a respirator designed to filter that type of dust.



# **WARNING**

## **Additional Safety Instructions for Downdraft Tables**

- 1. FILTER CAPABILITIES.** This downdraft table is to be used only for wood dust collection. **DO NOT** use this machine to filter or collect liquids (especially flammables), metal shavings, lead paint, or asbestos; or to collect burning or smoking material, including matches, cigarettes, and hot ashes. **DO NOT** use this machine to dissipate smoke or fumes.
- 2. IMPELLER EXPOSURE.** Always operate the downdraft table with the filter in place and the cabinet door closed to avoid dangerous entanglement. Unplug the machine before removing the filter.
- 3. MAINTENANCE/SERVICE.** Problems concerning any moving parts or accessories **MUST** be investigated and corrected with the power disconnected and after the impeller has come to a complete stop.
- 4. EXPLOSION RISK.** Suspended dust particles near an ignition source may cause an explosion. Do not operate this machine in areas near pilot lights or open flames. **NEVER** use this downdraft table where paint fumes exist, or within a paint spray booth.
- 5. EMPTYING DUST FILTER BAG.** When emptying the dust from the filter bag, wear a respirator and safety glasses. Empty dust into an approved container and dispose properly.
- 6. WOOD TOXICITY.** Research the dangers of the specific species of wood you are working with since dust from some woods are toxic and can make you sick, cause cancer, and lead to long-term respiratory problems.
- 7. LEAD AND ASBESTOS.** This machine will not protect against lead-paint dust or asbestos fibers. These materials must be collected with special equipment because of the high hazard to human health. **DO NOT** attempt to collect these materials with this machine.
- 8. EXPERIENCING DIFFICULTIES.** If at any time you are experiencing difficulties performing the intended operation, stop using the machine! Contact our Technical Support Department at (570) 546-9663.

### **WARNING**

Like all machinery there is potential danger when operating this machine. Accidents are frequently caused by lack of familiarity or failure to pay attention. Use this machine with respect and caution to lessen the possibility of operator injury. If normal safety precautions are overlooked or ignored, serious personal injury may occur.

### **CAUTION**

No list of safety guidelines can be complete. Every shop environment is different. Always consider safety first, as it applies to your individual working conditions. Use this and other machinery with caution and respect. Failure to do so could result in serious personal injury, damage to equipment, or poor work results.



# SECTION 2: CIRCUIT REQUIREMENTS

## 110V Operation

### **!WARNING**

Serious personal injury could occur if you connect the downdraft table to the power source before you have completed the setup process. **DO NOT** connect this machine to the power source until instructed to do so.

### Amperage Draw

The Model G0630 draws the following amps under maximum load:

Amp Draw..... 14A

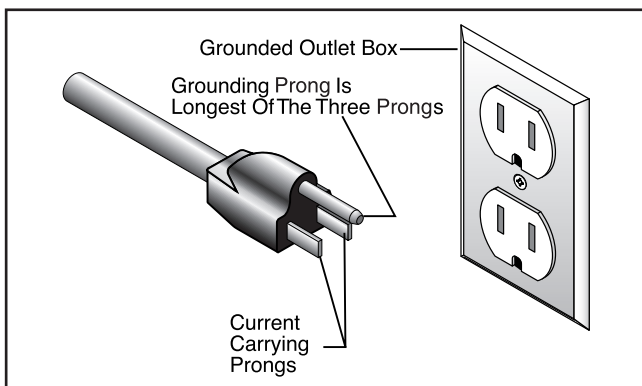
### Circuit Recommendations

We recommend using a dedicated circuit for this machine. You **MUST** connect your machine to a grounded circuit that is rated for the amperage given below. Never replace a circuit breaker on an existing circuit with one of higher amperage without consulting a qualified electrician to ensure compliance with wiring codes. **If you are unsure about the wiring codes in your area or you plan to connect your machine to a shared circuit, consult a qualified electrician.**

110V Circuit..... 20 Amps


### Plug/Receptacle Type

Included Plug Type..... NEMA 5-15

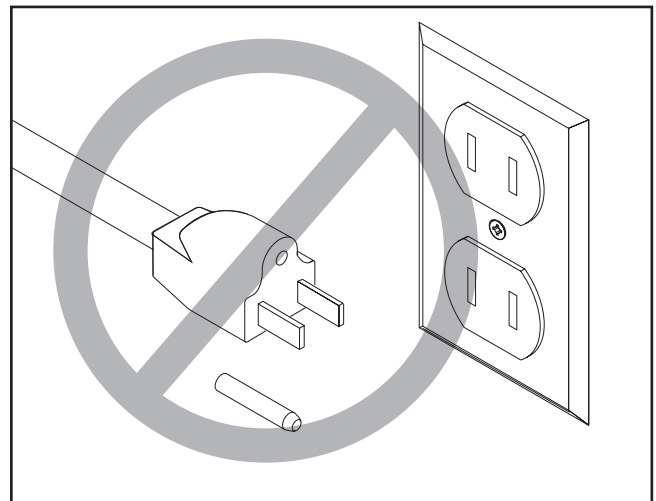


**Figure 2.** Typical type 5-15 plug and receptacle.

G0630 Extra Long Downdraft Table



**!WARNING**  
Electrocution or fire could result if this machine is not grounded correctly or if your electrical configuration does not comply with local and state codes. Ensure compliance by checking with a qualified electrician!



**!CAUTION**  
This machine must have a ground prong in the plug to help ensure that it is grounded. **DO NOT** remove ground prong from plug to fit into a two-pronged outlet! If the plug will not fit the outlet, have the proper outlet installed by a qualified electrician.

### Extension Cords

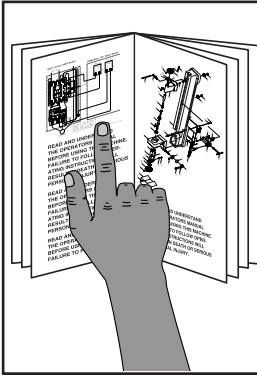
We do not recommend the use of extension cords, but if you find it absolutely necessary:

- Use a least a 14 gauge cord that does not exceed 50 feet in length!
- The extension cord must also contain a ground wire and plug pin.
- A qualified electrician **MUST** size cords over 50 feet long to prevent motor damage.

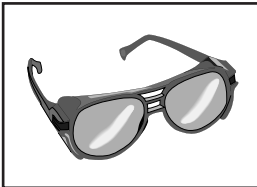


# SECTION 3: SET UP

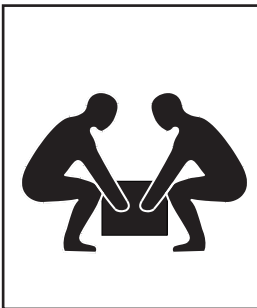
## Set Up Safety



**! WARNING**  
This machine presents serious injury hazards to untrained users. Read through this entire manual to become familiar with the controls and operations before starting the machine!



**! WARNING**  
Wear safety glasses during the entire set up process!



**! WARNING**  
The Model G0630 is a heavy machine. DO NOT over-exert yourself while unpacking or moving your machine—get assistance.

## Items Needed for Set Up

The following items are needed to complete the set up process, but are not included with your machine:

Description	Qty
• Assistant for Lifting Help .....	As Needed
• Safety Glasses (for each person) .....	1
• Wrench 1/2" .....	2

## Unpacking

The Model G0630 was carefully packed when it left our warehouse. If you discover the machine is damaged after you have signed for delivery, please immediately call Customer Service at (570) 546-9663 for advice.

Save the containers and all packing materials for possible inspection by the carrier or its agent. Otherwise, filing a freight claim can be difficult.

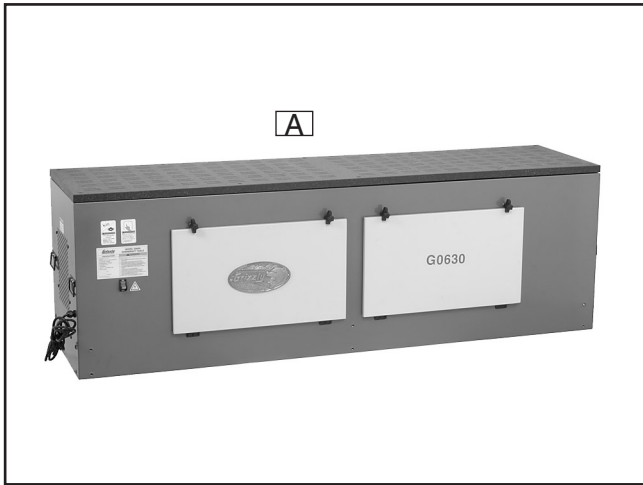
When you are completely satisfied with the condition of your shipment, you should inventory the contents.



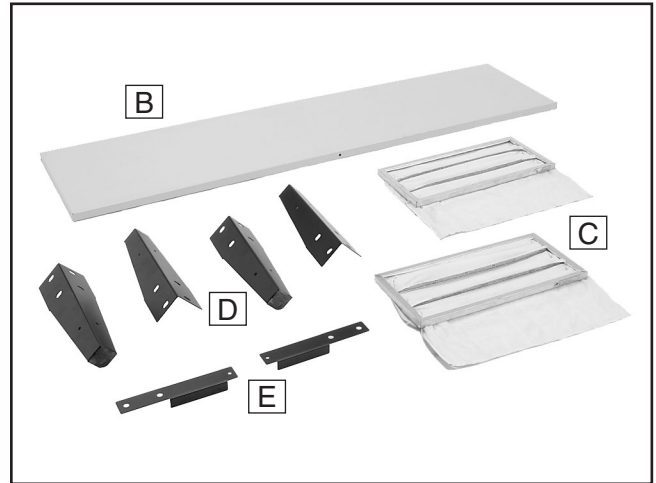
# Inventory

The following components are included with the Model G0630. After all the parts have been removed from the packaging, you should have:

<b>Contents (Figures 3 &amp; 4):</b>	<b>Qty</b>
<b>A.</b> Downdraft Table Cabinet.....	1
<b>B.</b> Base Shelf.....	1
<b>C.</b> Filter Bags .....	2
<b>D.</b> Corner Legs.....	4
<b>E.</b> Middle Legs.....	2
<b>F.</b> Hardware Bag (Not Shown) .....	1
— Hex Bolts $\frac{5}{16}$ "-18 x $\frac{3}{4}$ "	
(For Corner Legs) .....	16
(For Middle Legs) .....	4
(For Base Shelf) .....	6
— Hex Nuts $\frac{5}{16}$ "-18	
(For Base Shelf) .....	6
— Flat Washers $\frac{5}{16}$ "	
(For Base Shelf) .....	12
— Fender Washers $\frac{5}{16}$ "	
(For Corner Legs) .....	16
(For Middle Legs) .....	4




**Figure 3.** Model G0630 cabinet.



**Figure 4.** Model G0630 base shelf, legs, and filter bags.

In the event that any nonproprietary parts are missing (e.g. a nut or a washer), we would be glad to replace them, or for the sake of expediency, replacements can be obtained at your local hardware store.



**⚠ WARNING**

**SUFFOCATION HAZARD!**

Immediately discard all plastic bags and packing materials to eliminate choking/suffocation hazards for children and animals.

**NOTICE**

Some hardware/fasteners on the inventory list may arrive pre-installed on the machine. Check these locations before assuming that any items from the inventory list are missing.



# Site Considerations

## Floor Load

Refer to the **Machine Data Sheets** on **Page 3** for the weight and footprint specifications of your machine. Some residential floors may require additional reinforcement to support both the machine and operator.

## Placement

Consider existing and anticipated needs, size of material to be processed with each machine, and space for auxiliary stands, work tables or other machinery when establishing a location for your new machine. See **Figure 5** for the minimum working clearances.

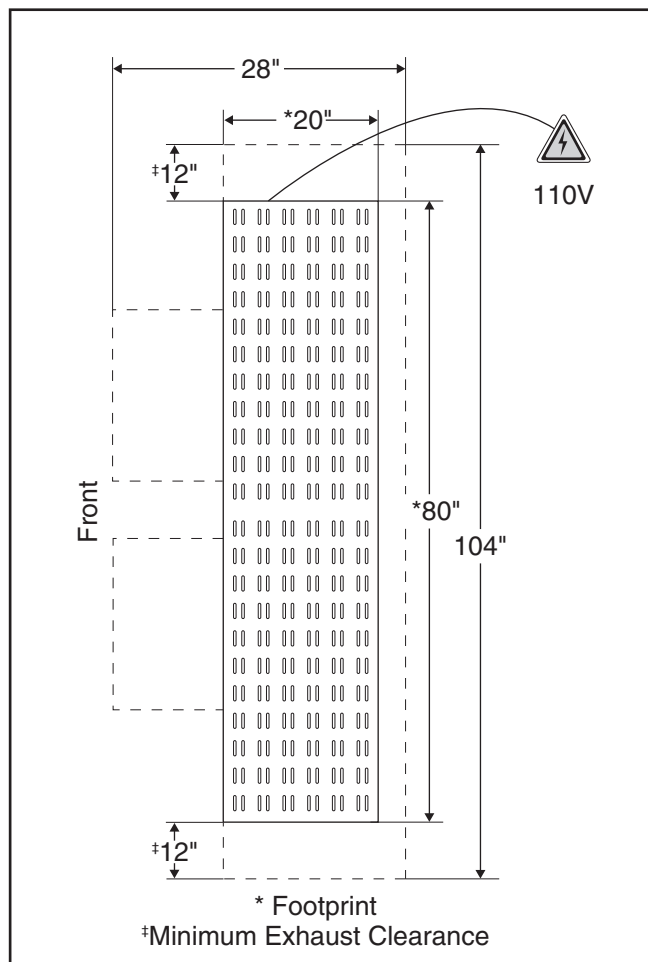


Figure 5. Minimum working clearances.

# Assembly

	<b>⚠ CAUTION</b> Unsupervised children and visitors inside your shop could cause serious personal injury to themselves. Lock all entrances to the shop when you are away and <b>DO NOT</b> allow unsupervised children or visitors in your shop at any time!
--	---

## To Assemble the Downdraft Table:

**Note:** Place cardboard or a shop blanket underneath the table to protect the table surface.

1. With an assistant's help, tip the downdraft table over and lay the top of the table cabinet flat on the floor.
2. Using the hex bolts and fender washers provided, install the corner and middle legs as shown in **Figure 6**.

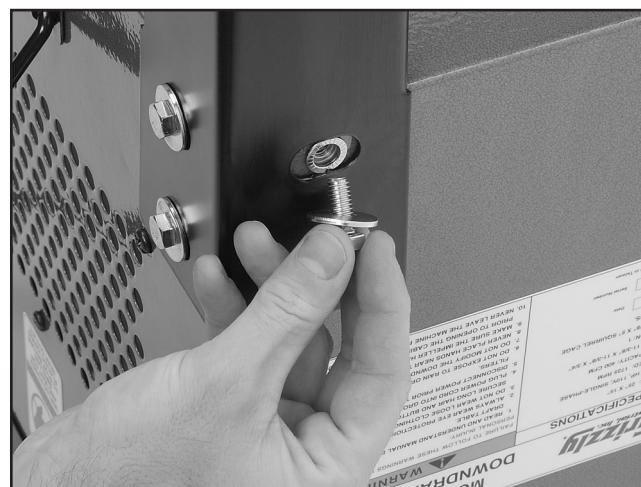


Figure 6. Installing legs.

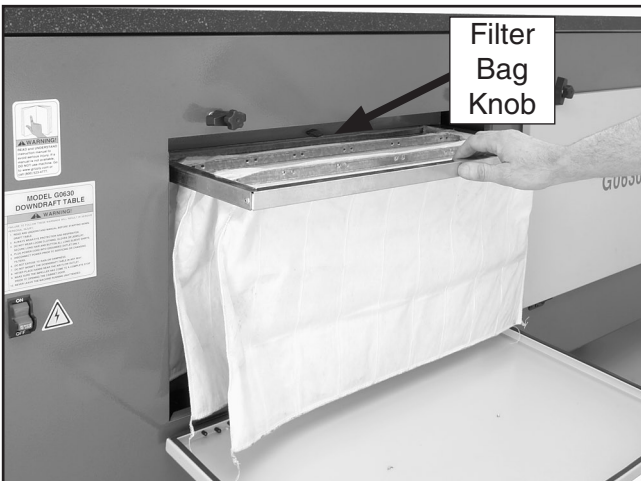


- Using the hex bolts, flat washers, and hex nuts provided, install the base shelf (see **Figure 7**).



**Figure 7.** Base shelf attached to leg.

- With an assistant's help, return the downdraft table to the upright position so it rests on the legs.
- Open the cabinet doors and install the filter bags as shown in **Figure 8**.



**Figure 8.** Installing filter bag.

- To prevent the filter bag from slipping forward during operation, hand tighten the filter bag knob.

## Test Run

Once the assembly is complete, test run your machine to make sure it runs properly.

If, during the test run, you cannot easily locate the source of an unusual noise or vibration, stop using the machine immediately, then review the **Troubleshooting** on **Page 17** and take corrective action.

If you still cannot remedy a problem, contact our Tech Support at (570) 546-9663 for assistance.

### To test run the machine:

- Make sure you have read the safety instructions beginning on **Page 6**, and that the machine is set up properly.
- Make sure that anyone in the vicinity of the downdraft table, including yourself, is wearing safety glasses and a respirator.
- Make sure all tools and objects used during setup are cleared away from the machine.
- Connect the machine to the power source.
- Pull the red lockout key from the power switch and turn the machine **ON**.

—If the downdraft table starts, turn the machine off and disconnect the machine from power immediately, then contact our Tech Support. **DO NOT** re-connect to power until instructed to do so by our Tech Support.

—If the machine does **NOT** start, re-install the red lockout key and turn the machine **ON**.

- Listen to and watch for abnormal noises or vibrations. The machine should run smoothly with little or no vibration or rubbing noises.

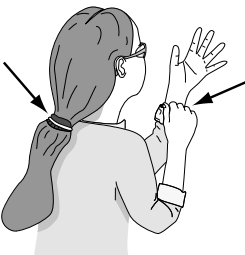
—Strange or unusual noises should be investigated and corrected before operating the machine further. Always disconnect the machine from power when investigating or correcting potential problems.



# SECTION 4: OPERATIONS

## ! WARNING

Damage to your eyes, lungs, and ears could result from using this machine without proper protective gear. Always wear safety glasses, a respirator, and hearing protection when operating this machine.



## ! WARNING

Loose hair and clothing could get caught in machinery and cause serious personal injury. Keep loose clothing and long hair away from moving machinery.



## ! WARNING

A fire/explosion could occur if this machine is used to collect paint fumes or overspray! Do not use downdraft table as a paint spray bench.

## NOTICE

If you have never used this type of machine or equipment before, WE STRONGLY RECOMMEND that you read books, trade magazines, or get formal training before beginning any projects. Regardless of the content in this section, Grizzly Industrial will not be held liable for accidents caused by lack of training.

## Operation Tips

- To ensure proper air flow through the downdraft table, make sure that there is at least 12" between the sides of the downdraft cabinet and any obstructions. Refer to **Site Considerations** on **Page 12** for details.
- Press the workpiece firmly down on the downdraft tabletop as you sand your workpiece as shown in **Figure 9**.



Figure 9. Typical sanding operation setup.



# SECTION 5: ACCESSORIES

## H3120—Palm Detail Sander

This hook and loop orbital Palm Sander is just the tool for working tight corners and all-around finish sanding. Includes sander, dust bag, vacuum adapter, 3-pcs. 60 grit, 3-pcs. 120 grit, 4-pcs. 240 grit, steel wool pad, foam pad and scuff pad. Comes in a handy carry case.



Figure 10. Model H3120.

- H5916—60 Grit 10 Pack Sandpaper for H3120
- H5917—120 Grit 10 Pack for H3120
- H5918—180 Grit 10 Pack for H3120
- H5919—240 Grit 10 Pack for H3120

## G5970—Electric Palm Sander

This quarter-sheet palm sander features a built-in dust collection bag and sealed On/Off switch for long dependable life. Swirl-free 10,000 orbits per minute make this double insulated sander an indispensable part of any shop.

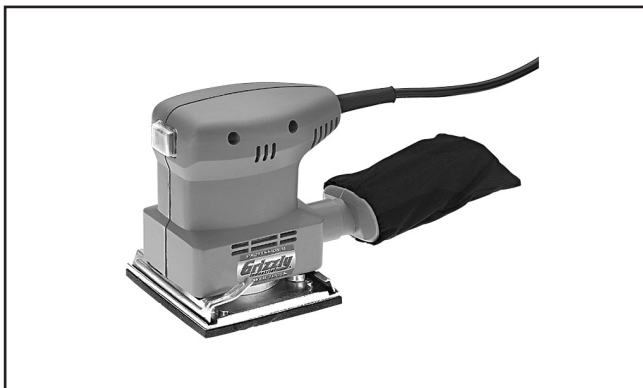


Figure 11. Model G5970.

## G7984—Face Shield

## H1298—Dust Sealed Safety Glasses

## H1300—UV Blocking, Clear Safety Glasses

## H2347—Uvex® Spitfire Safety Glasses

## H0736—Shop Fox® Safety Glasses

Safety Glasses are essential to every shop. If you already have a pair, buy extras for visitors or employees. You can't be too careful when it comes to shop safety!



Figure 12. Our most popular safety glasses.

## H2499—Small Half-Mask Respirator

## H3631—Medium Half-Mask Respirator

## H3632—Large Half-Mask Respirator

## H3635—Disposable Cartridge Filter Pair P100

Wood dust is now considered a known carcinogen and has been linked to nasal cancer and severe respiratory illnesses. If you work around dust everyday, a half-mask respirator can be a lifesaver. Also compatible with safety glasses!

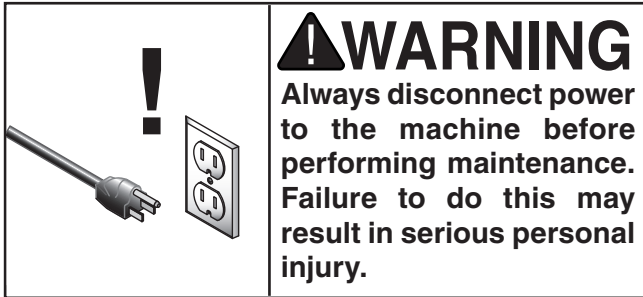


Figure 13. Half-mask respirator and disposable cartridge filters.

Call 1-800-523-4777 To Order



# SECTION 6: MAINTENANCE



## Schedule

For optimum performance from your machine, follow this maintenance schedule and refer to any specific instructions given in this section.

### Daily Check:

- Check table top for damage or clogged slots.
- Empty filters and check for damage.
- Loose mounting bolts.
- Worn or damaged wires.
- Other unsafe condition.

### Weekly Check:

- Clean/vacuum dust buildup from inside cabinet and off motor.

## Cleaning

Cleaning the Model G0630 is easy and will prolong the life of your downdraft table.

- Wipe the table top with a clean rag. If your table surface gets gummy from wood pitch, you can use a non-corrosive blade cleaner like Oxisolv® (Model G1955) to easily remove it without harming the tabletop surface. DO NOT clean with products that will harm the paint on the table surface like brake parts cleaner, acetone, or gasoline.

- Remove the filter bag, vacuum excess dust from the cabinet interior, and reinstall the filter bag.

## Filters

The filters may need service if suction is noticeably reduced. The amount of use determines how often you must service the filter.



### To service the filters:

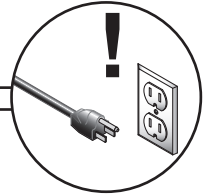
1. DISCONNECT DOWNDRAFT TABLE FROM THE POWER SOURCE!
2. Open the cabinet door and remove the filter bag.
3. Gently empty the contents of the filter bag into a disposable bag. Seal and discard the bag properly.
4. Reinstall the filter bag, secure the filter bag knob, and close the cabinet door.



# SECTION 7: SERVICE

Review the troubleshooting and procedures in this section to fix your machine if a problem develops. If you need replacement parts or you are unsure of your repair skills, then feel free to call our Technical Support at (570) 546-9663.

## Troubleshooting



### Motor & Electrical

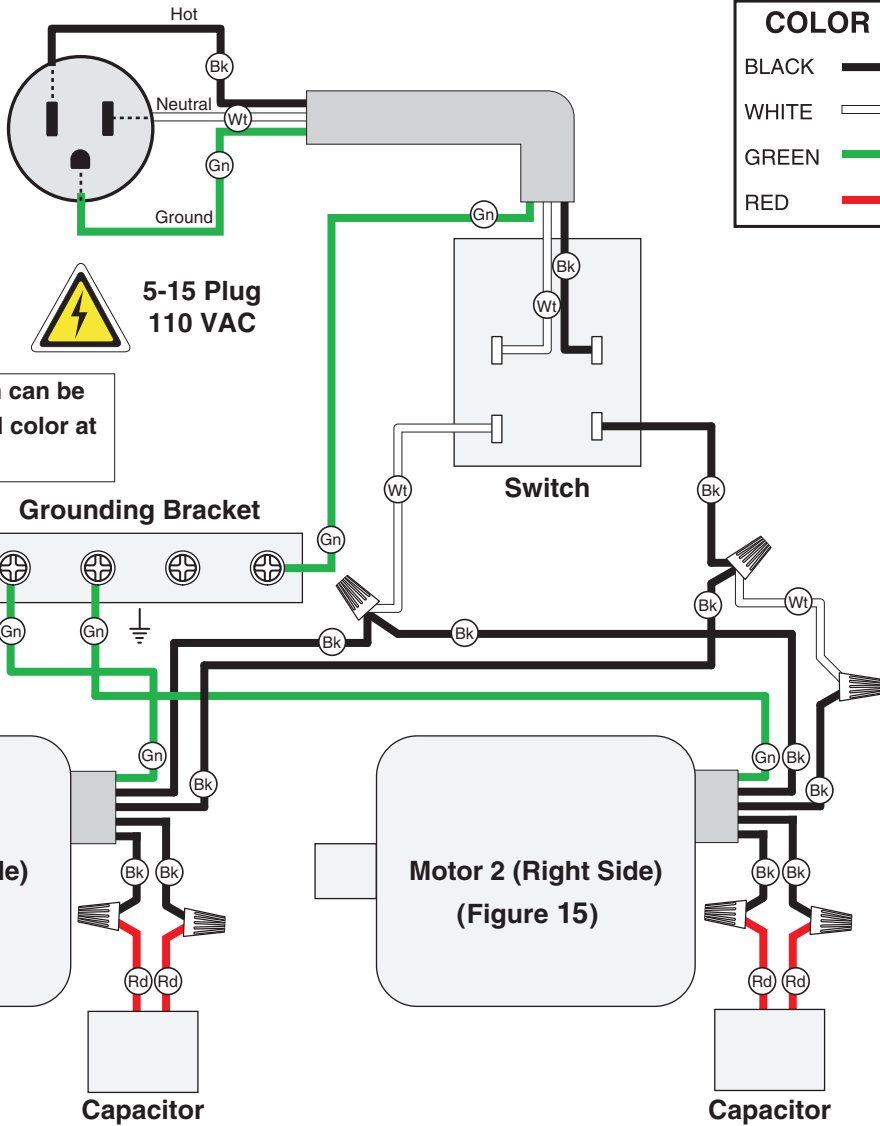
SYMPTOM	POSSIBLE CAUSE	POSSIBLE SOLUTION
Downdraft table does not start or a fuse/breaker trips.	<ol style="list-style-type: none"> <li>1. Lockout key is missing or defective.</li> <li>2. Fuse/breaker has blown.</li> <li>3. Motor connection wired incorrectly.</li> <li>4. Start capacitor is fault.</li> </ol>	<ol style="list-style-type: none"> <li>1. Insert/replace lockout key.</li> <li>2. Correct short/replace fuse/replace breaker.</li> <li>3. Correct motor wiring connections.</li> <li>4. Replace start capacitor.</li> </ol>
Downdraft table has excessive vibration or noisy operation.	<ol style="list-style-type: none"> <li>1. Legs at fault.</li> <li>2. Base shelf at fault.</li> <li>3. Motor or component is loose.</li> </ol>	<ol style="list-style-type: none"> <li>1. Tighten leg bolts for stability.</li> <li>2. Tighten base shelf bolts.</li> <li>3. Inspect/replace stripped or damaged bolts/nuts, and re-tighten with thread locking fluid.</li> </ol>

### Operations

SYMPTOM	POSSIBLE CAUSE	POSSIBLE SOLUTION
Downdraft table does not adequately collect dust.	<ol style="list-style-type: none"> <li>1. Filter bags are full.</li> <li>2. Cabinet interior and fan clogged with debris.</li> <li>3. Outlet port is obstructed.</li> <li>4. Motor or fan at fault.</li> </ol>	<ol style="list-style-type: none"> <li>1. Empty filter bags.</li> <li>2. Remove the filter bags and vacuum excess dust from the cabinet interior.</li> <li>3. Clear the obstruction to the outlet port. Refer to <b>Site Considerations</b> on <b>Page 12</b> for minimum space requirements.</li> <li>4. Replace motor/fan.</li> </ol>



**⚠ DANGER**  
 Disconnect power before performing any electrical service. Electricity presents serious shock hazards that will result in severe personal injury and even death!



This wiring diagram can be viewed online in full color at [www.grizzly.com](http://www.grizzly.com).

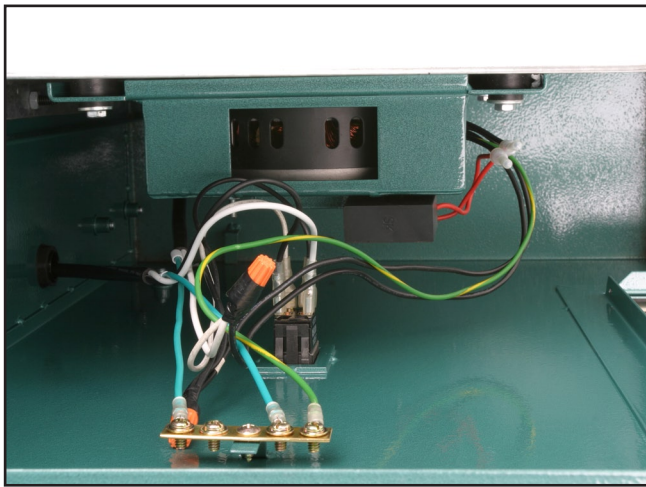


Figure 14. Switch and motor 1 (left side) wiring.

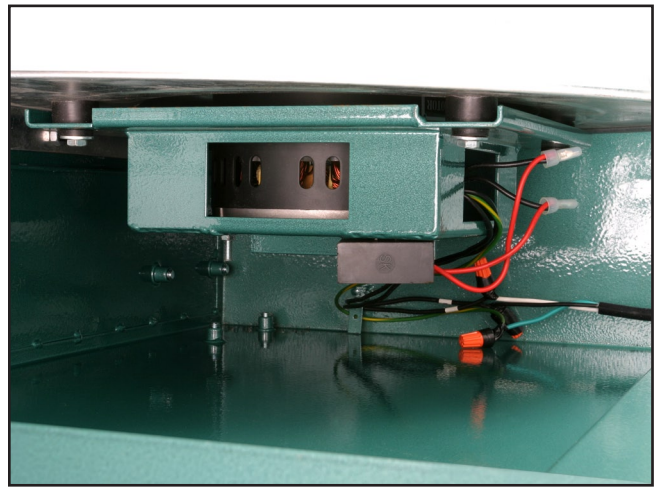
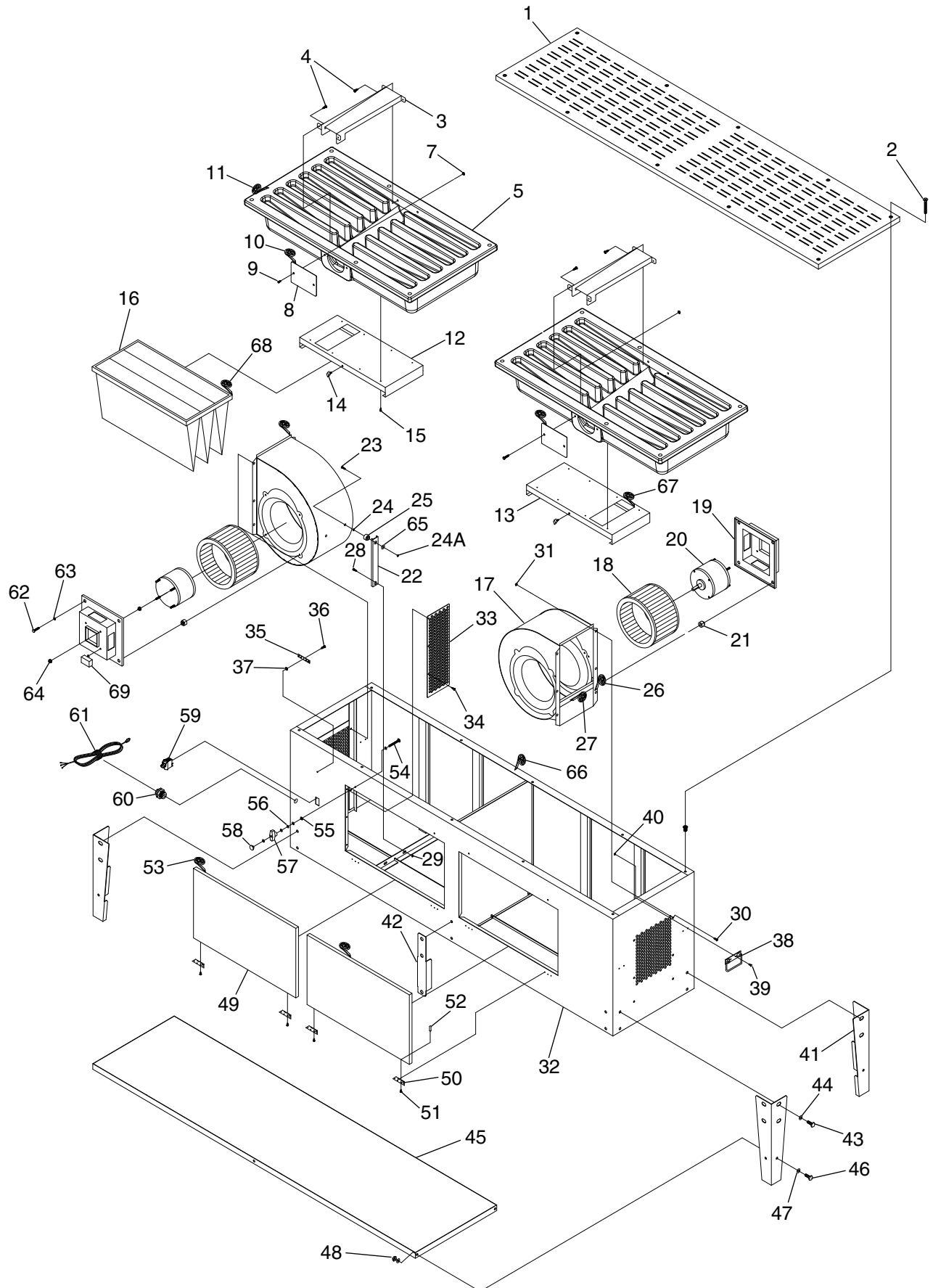


Figure 15. Motor 2 (right side) wiring.



# Parts Breakdown



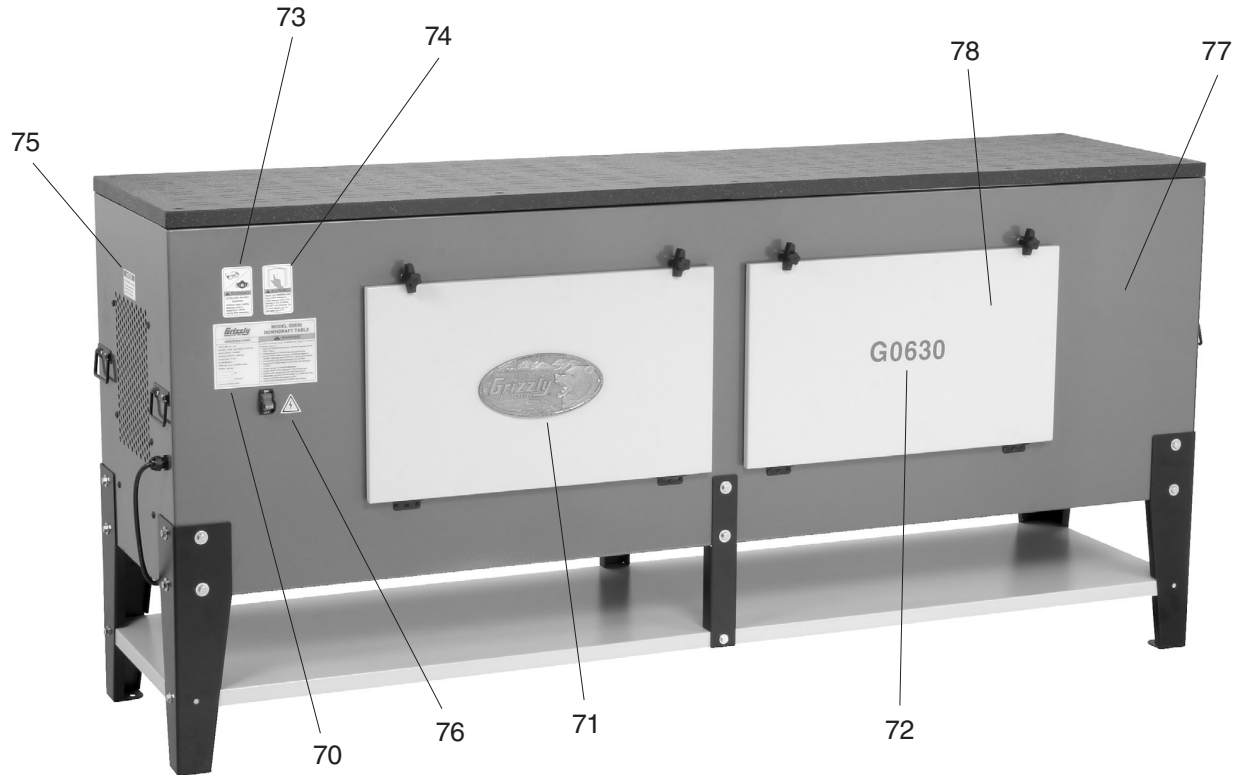
# Parts List

REF	PART #	DESCRIPTION
1	P0630001	TABLE TOP
2	PFH15	FLAT HD SCR 1/4-20 X 1 1/2
3	P0630003	DUST DEFLECTOR
4	PHTEK5M	TAP SCREW M4 X 12
5	P0630005	TABLE BASE
7	PN05	HEX NUT 1/4-20
8	P0630008	OUTLET COVER
9	PB31	HEX BOLT 1/4-20 X 1
10	P0630010	GASKET 3 X 6 X 550MM
11	P0630011	GASKET 3 X 6 X 270MM
12	P0630012	DUST FILTER CASE LEFT
13	P0630013	DUST FILTER CASE RIGHT
14	P0630014	KNOB M6-1 X 14
15	PHTEK37M	TAP SCREW M5 X 12
16	P0630016	FILTER BAG
17	P0630017	BLOWER HOUSING
18	P0630018	IMPELLER
19	P0630019	MOTOR SUPPORT
20	P0630020	MOTOR ODP 1/2HP 110V/60HZ
21	P0630021	RUBBER WASHER
22	P0630022	BLOWER BRACKET
23	PB12	HEX BOLT 5/16-18 X 1-1/4
24	PN02	HEX NUT 5/16-18
24A	PFN02	FLANGE NUT 5/16-18
25	P0630025	RUBBER WASHER
26	P0630026	GASKET 3 X 25 X 420MM
27	P0630027	GASKET 3 X 25 X 220MM
28	PB07	HEX BOLT 5/16-18 X 3/4
29	PFN02	FLANGE NUT 5/16-18
30	PFH05	FLAT HD SCR 1/4-20 X 3/4
31	PFN01	FLANGE NUT 1/4-20
32	P0630032	TABLE CABINET
33	P0630033	DIVIDER
34	PHTEK5M	TAP SCREW M4 X 12
35	P0630035	GROUNDING PLATE

REF	PART #	DESCRIPTION
36	PHTEK37M	TAP SCREW M5 X 12
37	PTLW02M	EXT TOOTH WASHER M5
38	P0630038	HANDLE
39	PS38M	PHLP HD SCR M4-.7 X 10
40	PN04M	HEX NUT M4-.7
41	P0630041	CORNER LEG
42	P0630042	MIDDLE LEG
43	PB07	HEX BOLT 5/16-18 X 3/4
44	PW07	FLAT WASHER 5/16
45	P0630045	BASE SHELF
46	PB07	HEX BOLT 5/16-18 X 3/4
47	PW07	FLAT WASHER 5/16
48	PN02	HEX NUT 5/16-18
49	P0630049	CABINET DOOR
50	P0630050	DOOR HINGE
51	PS38M	PHLP HD SCR M4-.7 X 10
52	PN04M	HEX NUT M4-.7
53	P0630053	GASKET 3 X 6 X 2.1MM
54	PS54M	PHLP HD SCR M5-.8 X 45
55	PN06M	HEX NUT M5-.8
56	PW03	FLAT WASHER #10
57	P0630057	KNOB 5/16-18
58	P0630058	KNOB M5-.8
59	P0630059	SWITCH
60	P0630060	STRAIN RELIEF
61	P0630061	POWER CORD
62	PB31	HEX BOLT 1/4-20 X 1
63	PW06	FLAT WASHER 1/4
64	PFN04M	FLANGE NUT M5-.8
65	PW07	FLAT WASHER 5/16
66	P0630066	GASKET 3 X 6 X 5.1MM
67	P0630067	GASKET 3 X 6 X 700MM
68	P0630068	GASKET 3 X 6 X 590MM
69	P0630069	CAPACITOR 16MF 250V



# Safety Label Placement



REF	PART #	DESCRIPTION
70	P0630070	MACHINE ID LABEL
71	G8588	GRIZZLY NAME PLATE
72	P0630072	MODEL NUMBER LABEL
73	PLABEL-37	EYE-LUNG WARNING LABEL
74	PLABEL-12	READ MANUAL LABEL

REF	PART #	DESCRIPTION
75	P0630075	AIRFLOW NOTICE LABEL
76	PLABEL-14	ELECTRICITY LABEL
77	PPAINT-1	GRIZZLY GREEN TOUCHUP PAINT
78	PPAINT-11	GRIZZLY PUTTY TOUCHUP PAINT

## WARNING

Safety labels warn about machine hazards and ways to prevent injury. The owner of this machine **MUST** maintain the original location and readability of the labels on the machine. If any label is removed or becomes unreadable, **REPLACE** that label before using the machine again. Contact Grizzly at (800) 523-4777 or [www.grizzly.com](http://www.grizzly.com) to order new labels.



# WARRANTY AND RETURNS

---

Grizzly Industrial, Inc. warrants every product it sells for a period of **1 year** to the original purchaser from the date of purchase. This warranty does not apply to defects due directly or indirectly to misuse, abuse, negligence, accidents, repairs or alterations or lack of maintenance. This is Grizzly's sole written warranty and any and all warranties that may be implied by law, including any merchantability or fitness, for any particular purpose, are hereby limited to the duration of this written warranty. We do not warrant or represent that the merchandise complies with the provisions of any law or acts unless the manufacturer so warrants. In no event shall Grizzly's liability under this warranty exceed the purchase price paid for the product and any legal actions brought against Grizzly shall be tried in the State of Washington, County of Whatcom.

We shall in no event be liable for death, injuries to persons or property or for incidental, contingent, special, or consequential damages arising from the use of our products.

To take advantage of this warranty, contact us by mail or phone and give us all the details. We will then issue you a "Return Number," which must be clearly posted on the outside as well as the inside of the carton. We will not accept any item back without this number. Proof of purchase must accompany the merchandise.

The manufacturers reserve the right to change specifications at any time because they constantly strive to achieve better quality equipment. We make every effort to ensure that our products meet high quality and durability standards and we hope you never need to use this warranty.

Please feel free to write or call us if you have any questions about the machine or the manual.

Thank you again for your business and continued support. We hope to serve you again soon.





# WARRANTY CARD

Name \_\_\_\_\_

Street \_\_\_\_\_

City \_\_\_\_\_ State \_\_\_\_\_ Zip \_\_\_\_\_

Phone # \_\_\_\_\_ Email \_\_\_\_\_ Invoice # \_\_\_\_\_

Model # \_\_\_\_\_ Order # \_\_\_\_\_ Serial # \_\_\_\_\_

The following information is given on a voluntary basis. It will be used for marketing purposes to help us develop better products and services. **Of course, all information is strictly confidential.**

1. How did you learn about us?

- Advertisement
- Card Deck
- Friend
- Website
- Catalog
- Other:

2. Which of the following magazines do you subscribe to?

- |   |  |   |
|---|--|---|
| <input type="checkbox"/> Cabinet Maker          | <input type="checkbox"/> Popular Mechanics   | <input type="checkbox"/> Today's Homeowner    |
| <input type="checkbox"/> Family Handyman        | <input type="checkbox"/> Popular Science     | <input type="checkbox"/> Wood                 |
| <input type="checkbox"/> Hand Loader            | <input type="checkbox"/> Popular Woodworking | <input type="checkbox"/> Wooden Boat          |
| <input type="checkbox"/> Handy                  | <input type="checkbox"/> Practical Homeowner | <input type="checkbox"/> Woodshop News        |
| <input type="checkbox"/> Home Shop Machinist    | <input type="checkbox"/> Precision Shooter   | <input type="checkbox"/> Woodsmith            |
| <input type="checkbox"/> Journal of Light Cont. | <input type="checkbox"/> Projects in Metal   | <input type="checkbox"/> Woodwork             |
| <input type="checkbox"/> Live Steam             | <input type="checkbox"/> RC Modeler          | <input type="checkbox"/> Woodworker West      |
| <input type="checkbox"/> Model Airplane News    | <input type="checkbox"/> Rifle               | <input type="checkbox"/> Woodworker's Journal |
| <input type="checkbox"/> Modeltec               | <input type="checkbox"/> Shop Notes          | <input type="checkbox"/> Other:               |
| <input type="checkbox"/> Old House Journal      | <input type="checkbox"/> Shotgun News        |   |

3. What is your annual household income?

- \$20,000-\$29,000
- \$30,000-\$39,000
- \$40,000-\$49,000
- \$50,000-\$59,000
- \$60,000-\$69,000
- \$70,000+

4. What is your age group?

- 20-29
- 30-39
- 40-49
- 50-59
- 60-69
- 70+

5. How long have you been a woodworker/metalworker?

- 0-2 Years
- 2-8 Years
- 8-20 Years
- 20+ Years

6. How many of your machines or tools are Grizzly?

- 0-2
- 3-5
- 6-9
- 10+

7. Do you think your machine represents a good value?  Yes  No

8. Would you recommend Grizzly Industrial to a friend?  Yes  No

9. Would you allow us to use your name as a reference for Grizzly customers in your area?  
**Note:** We never use names more than 3 times.  Yes  No

10. Comments: \_\_\_\_\_

---



---



---

CUT ALONG DOTTED LINE

FOLD ALONG DOTTED LINE

\_\_\_\_\_  
\_\_\_\_\_  
\_\_\_\_\_



Place  
Stamp  
Here



**GRIZZLY INDUSTRIAL, INC.**  
**P.O. BOX 2069**  
**BELLINGHAM, WA 98227-2069**



FOLD ALONG DOTTED LINE

Send a Grizzly Catalog to a friend:

Name \_\_\_\_\_  
Street \_\_\_\_\_  
City \_\_\_\_\_ State \_\_\_\_\_ Zip \_\_\_\_\_

TAPE ALONG EDGES--PLEASE DO NOT STAPLE



# *grizzly.com*

**TOOL WEBSITE**

Buy Direct and Save with Grizzly® – Trusted, Proven and a Great Value!

*Visit Our Website Today And Discover  
Why Grizzly® Is The Industry Leader!*

- SECURE ORDERING
- ORDERS SHIPPED WITHIN 24 HOURS
- E-MAIL RESPONSE WITHIN ONE HOUR

-OR-

Call Today For A **FREE**  
Full Color Catalog

**1-800-523-4777**

